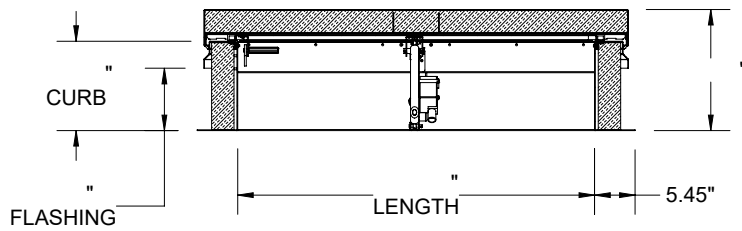
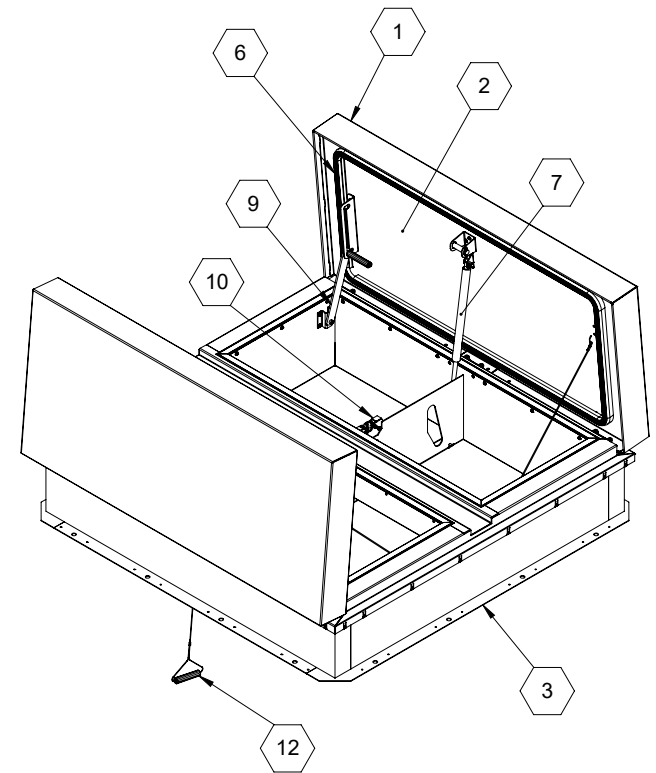


SECTION B-B



SECTION A-A

OPTIONS

Double Wall Curb



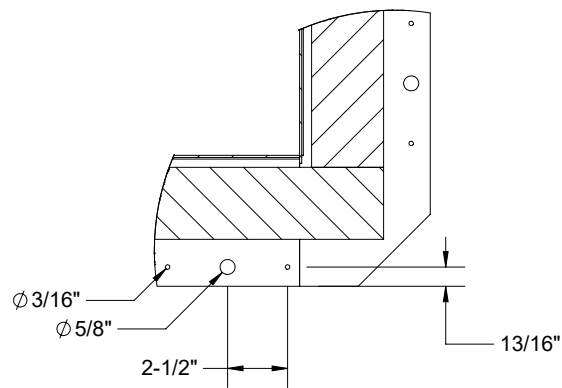
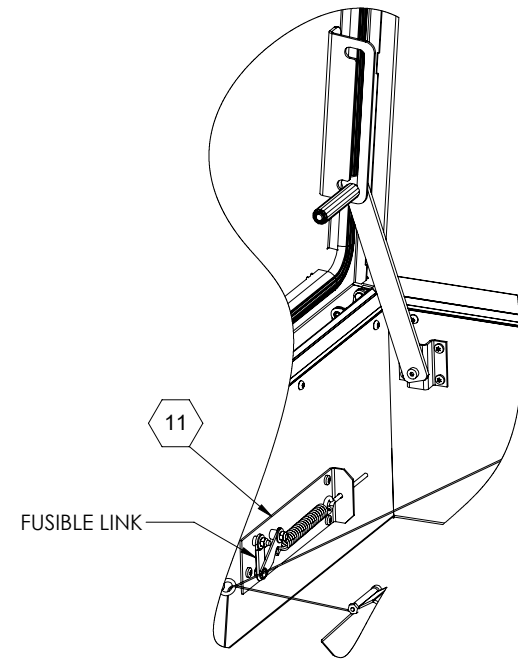
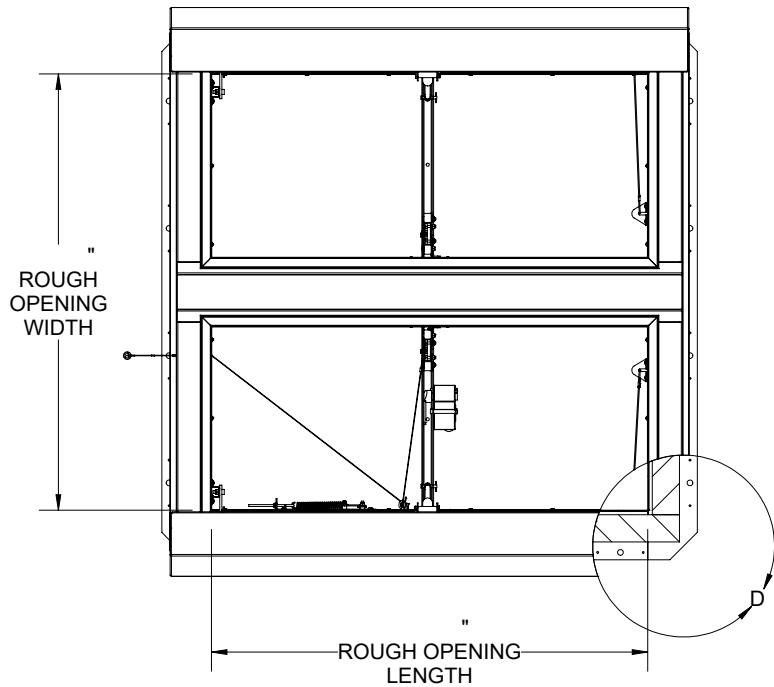
SPECIFICATIONS:

- ① COVER: 11 GA (.090") ALUM, STIFFENED TO WITHSTAND A LIVE LOAD OF 40 PSF WITH A MAX DEFLECTION OF 1/150 OF THE SPAN
- ② LINER: 11 GA (.090") ALUM
- ③ CURB: 11 GA (.090") ALUM, CURB COUNTERFLASH WITH EZ TABS.
- ④ FINISH: MILL
- ⑤ INSULATION: 3" POLYISO R-20+ IN CURB, 3" POLYISO R-20+ IN COVER
- ⑥ GASKET: EXTRUDED EPDM RUBBER ADHESIVE-BACKED GASKET SEAL CONTINUOUS AROUND COVER
- ⑦ SPRING: GAS SPRINGS WITH DAMPER DESIGNED TO OPEN AGAINST A 10 PSF SNOW LOAD IN NOT LESS THAN 2 SECONDS.
- ⑧ HINGE: PINTLE HINGE WITH STAINLESS STEEL HINGE PINS
- ⑨ HOLD OPEN ARM: ZINC PLATED STEEL AUTOMATIC HOLD OPEN ARM LOCKS COVER IN FULLY OPEN POSITION

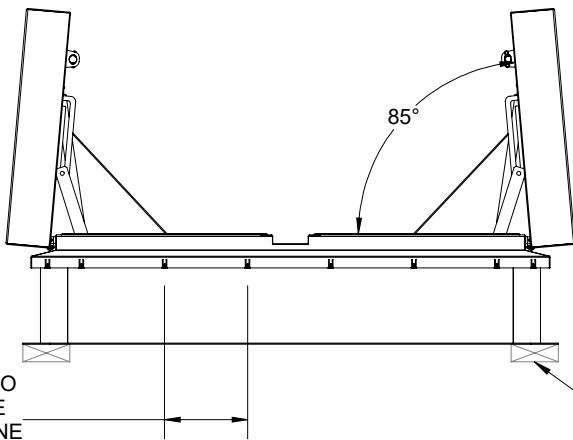
- ⑩ LATCH: ZINC PLATED STEEL ROTARY LATCH ASSEMBLY DESIGNED TO HOLD COVER CLOSED AGAINST 90 PSF WIND UPLIFT, ZINC PLATED STEEL LATCH STRIKE ON COVER
- ⑪ THERMAL RELEASE MECHANISM: VENT COVERS OPEN THERMALLY BY HEAT AT FUSIBLE LINK TEMPERATURE
- ⑫ MANUAL OPERATION: VENT COVERS OPEN WITH INTERNAL AND EXTERNAL MANUAL PULL HANDLES, 1/16" DIA SST CABLE, CLOSE VENT AT ROOFTOP
- ⑬ ELECTRICAL RELEASE: VENT COVERS OPEN ELECTRICALLY WHEN ENERGIZED WITH

SMOKE VENT SIZE: " (WIDTH) x " (LENGTH)

PROJECT:			
ARCHITECT:			
CONTRACTOR:			
QTY:			
PART#:		TITLE:	
9300 73rd Avenue North Brooklyn Park, MN 55428			
NAME	DATE	SIZE	DWG. NO.
DRAWN		A	Babcock SV BSVTA_X_D__R ShpDr
RELEASED		WEIGHT:	SHEET 1 OF 2



DETAIL D
SCALE 1 : 8



WOOD, CONCRETE, OTHER MATERIAL FOR MOUNTING BY OTHERS (NIC)



9300 73rd Avenue North
Brooklyn Park, MN 55428

TITLE:

NAME	DATE	SIZE	DWG. NO.	REV
DRAWN		A	Babcock SV BSVTA_X_D__R ShpDr	-
RELEASED			WEIGHT:	SHEET 2 OF 2