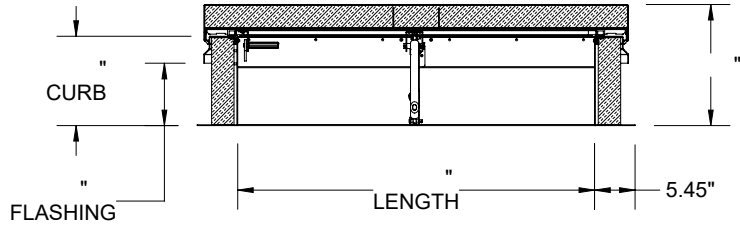
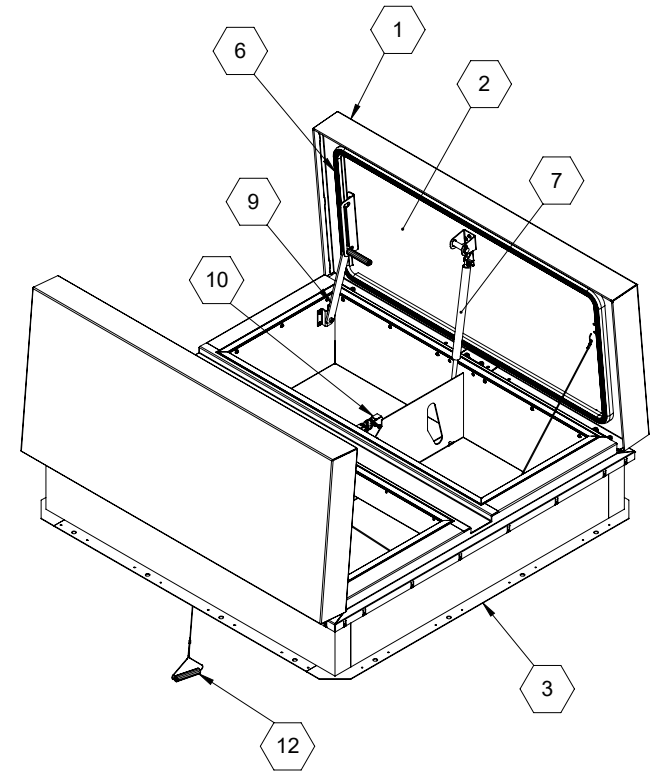


SECTION B-B



SECTION A-A

SPECIFICATIONS:

- ① **COVER:** 11 GA (.090") ALUM, STIFFENED TO WITHSTAND A LIVE LOAD OF 40 PSF WITH A MAX DEFLECTION OF 1/150 OF THE SPAN
- ② **LINER:** 11 GA (.090") ALUM
- ③ **CURB:** 11 GA (.090") ALUM, CURB COUNTERFLASH WITH EZ TABS.
- ④ **FINISH:** MILL
- ⑤ **INSULATION:** 3" POLYISO R-20+ IN CURB, 3" POLYISO R-20+ IN COVER
- ⑥ **GASKET:** EXTRUDED EPDM RUBBER ADHESIVE-BACKED GASKET SEAL CONTINUOUS AROUND COVER
- ⑦ **SPRING:** GAS SPRINGS WITH DAMPER DESIGNED TO OPEN AGAINST A 10 PSF SNOW LOAD IN NOT LESS THAN 2 SECONDS.
- ⑧ **HINGE:** PINTLE HINGE WITH STAINLESS STEEL HINGE PINS
- ⑨ **HOLD OPEN ARM:** ZINC PLATED STEEL AUTOMATIC HOLD OPEN ARM LOCKS COVER IN FULLY OPEN POSITION

- ⑩ **LATCH:** ZINC PLATED STEEL ROTARY LATCH ASSEMBLY DESIGNED TO HOLD COVER CLOSED AGAINST 90 PSF WIND UPLIFT, ZINC PLATED STEEL LATCH STRIKE ON COVER
- ⑪ **THERMAL RELEASE MECHANISM:** VENT COVERS OPEN THERMALLY BY HEAT AT FUSIBLE LINK TEMPERATURE
- ⑫ **MANUAL OPERATION:** VENT COVERS OPEN WITH INTERNAL AND EXTERNAL MANUAL PULL HANDLES, 1/16" DIA SST CABLE, CLOSE VENT AT ROOFTOP

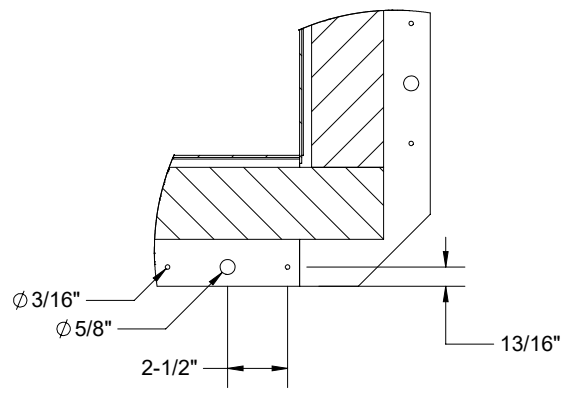
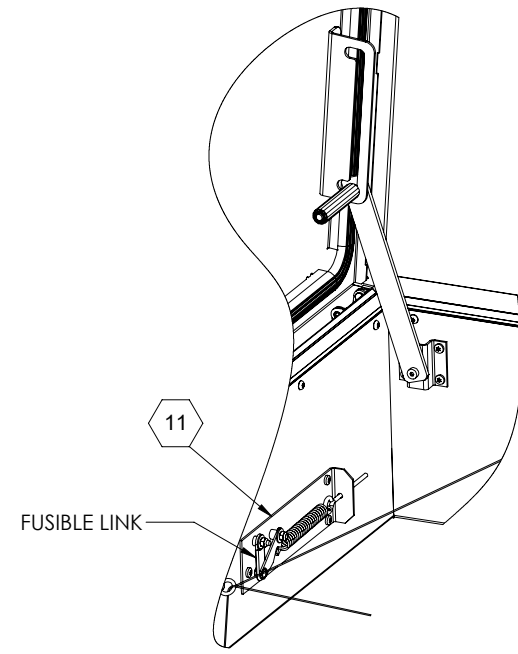
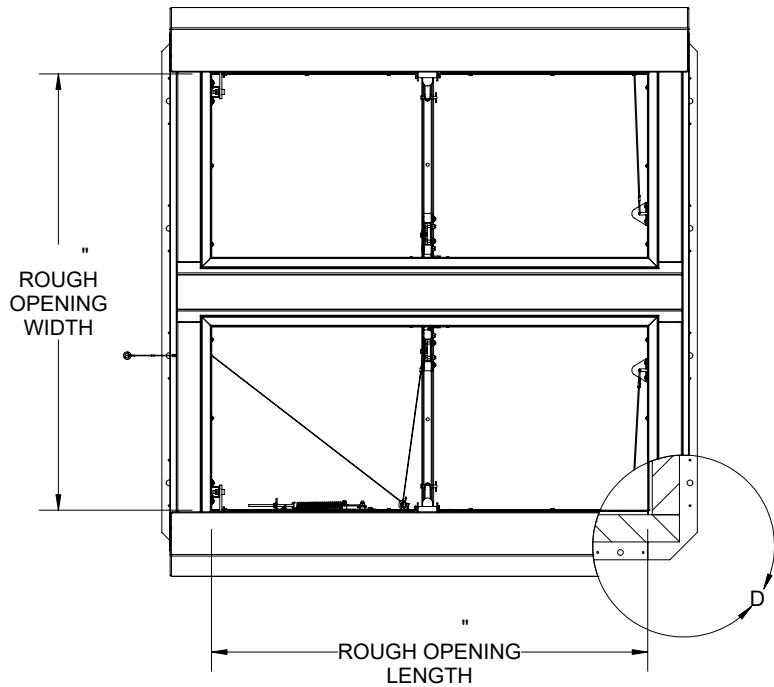
SMOKE VENT SIZE: " (WIDTH) x " (LENGTH)

OPTIONS

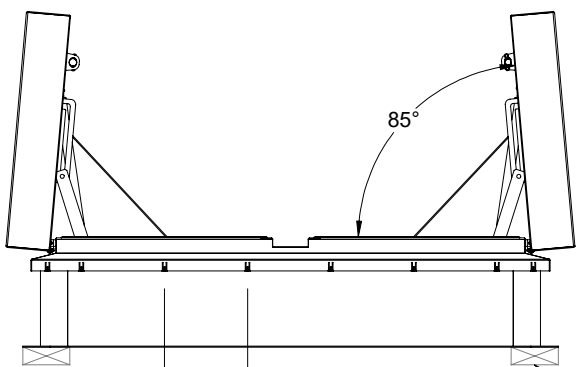
Double Wall Curb



PROJECT:					
ARCHITECT:					
CONTRACTOR:					
QTY:					
PART#:		TITLE:			
		9300 73rd Avenue North Brooklyn Park, MN 55428			
		NAME	DATE	SIZE	DWG. NO.
DRAWN			A	Babcock SV BSVTA_X_D_N_R ShpDr	-
RELEASED			WEIGHT:	SHEET 1 OF 2	



DETAIL D
SCALE 1 : 8



WOOD, CONCRETE, OTHER MATERIAL FOR MOUNTING BY OTHERS (NIC)

babcockdavis			TITLE:		
9300 73rd Avenue North Brooklyn Park, MN 55428					
NAME	DATE	SIZE	DWG. NO.	REV	
DRAWN		A	Babcock SV BSVTA_X_D_N_R ShpDr	-	
RELEASED			WEIGHT:		SHEET 2 OF 2

PROPRIETARY AND CONFIDENTIAL: THE INFORMATION CONTAINED IN THIS DRAWING IS THE SOLE PROPERTY OF BABCOCK-DAVIS. ANY REPRODUCTION IN PART OR AS A WHOLE WITHOUT THE WRITTEN PERMISSION OF BABCOCK-DAVIS IS PROHIBITED. ©2020 BABCOCK-DAVIS