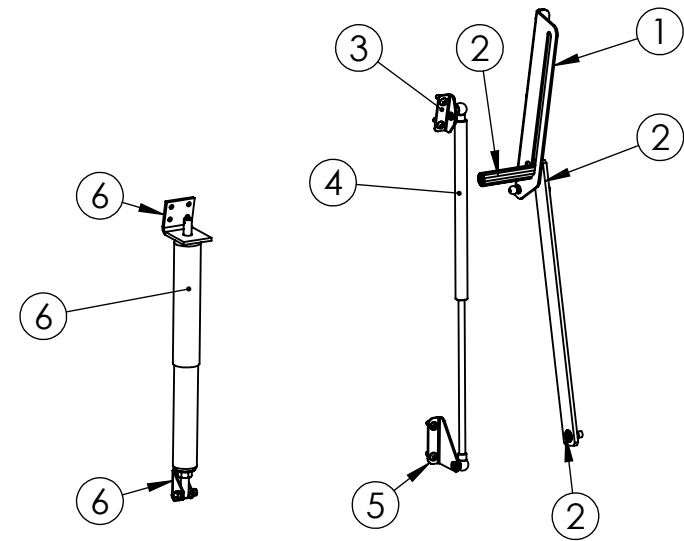


8 7 6 5 4 3 2 1

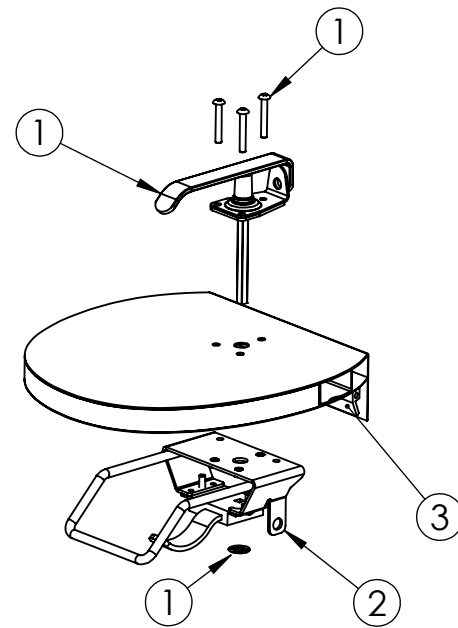
D



REPLACEMENT SINGLE POINT LATCH CATCH

ITEM	REPLACEMENT KIT #	OEM PART #	DESCRIPTION
①	RHKIT-HOACVR	29939	PKG, HOA COVER BRACKET
②	RHKIT-HOACURB	29938	PKG, HOA AND CURB HARDWARE
③	RHKIT-SPRINGBRKT	29944	PKG, SPRING COVER BRACKET
④	RHKIT-SPRING-150	30268	PKG, 150N SPRING
④	RHKIT-SPRING-250	29880	PKG, 250N SPRING
④	RHKIT-SPRING-500	29881	PKG, 500N SPRING
④	RHKIT-SPRING-600	30269	PKG, 600N SPRING
⑤	RHRKIT-CURBSPGBKT	32323	PKG, SPRING CURB BRACKET
⑥	RHRKIT-COMPSPG-145	32414	PKG, COMPRESSION SPG, 145 LB
⑥	RHRKIT-COMPSPG-65	32415	PKG, COMPRESSION SPG, 65 LB

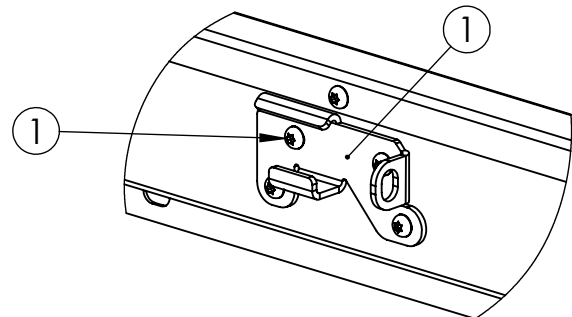
C



REPLACEMENT COVER LATCH/GASKET

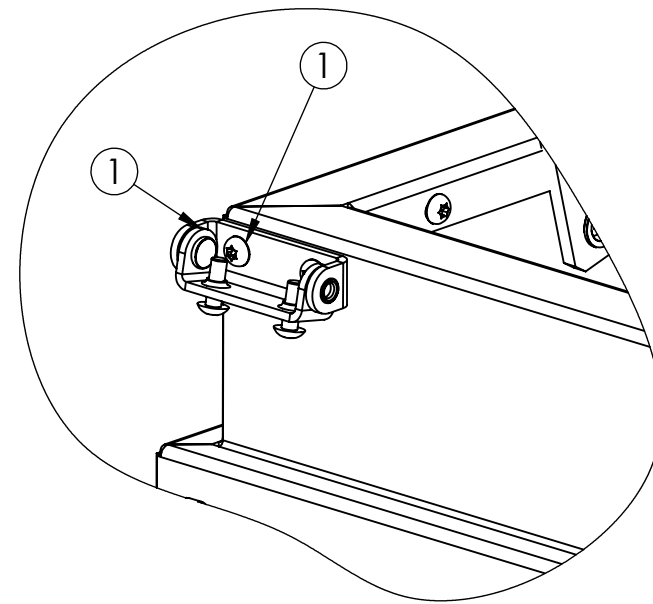
ITEM	REPLACEMENT KIT #	OEM PART #	DESCRIPTION
①	RHKIT-EXTHDL	29937	PKG, EXTERIOR TURN HANDLE
②	RHKIT-INTHDL	30413	PKG, INTERIOR TURN HANDLE
③	RHKIT-GASKET	6650	10 FT, GASKET

B



REPLACEMENT SINGLE POINT LATCH CATCH

ITEM	REPLACEMENT KIT #	OEM PART #	DESCRIPTION
①	RHTKIT-CATCH	30448	PKG, LATCH CATCH



REPLACEMENT HINGE

ITEM	REPLACEMENT KIT #	OEM PART #	DESCRIPTION
①	RHKIT-HINGE	29941	PKG, HINGE

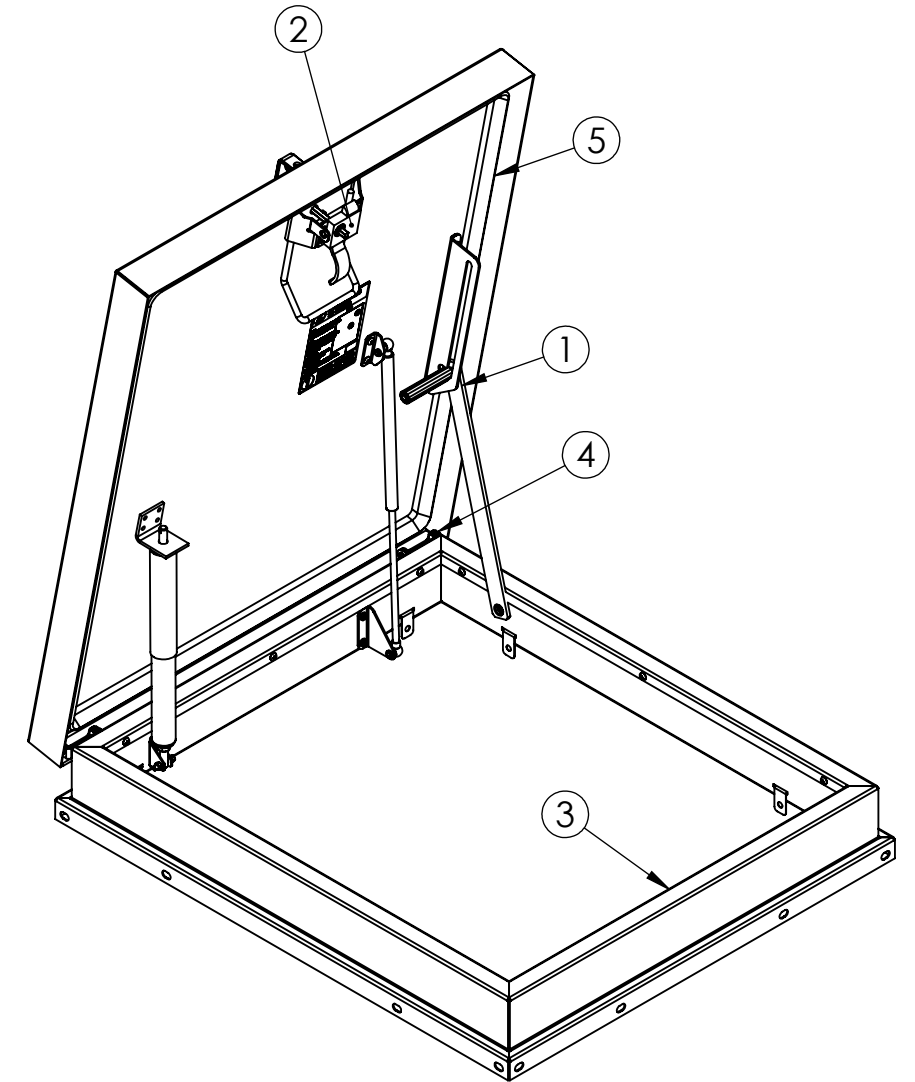
ROOF HATCH KITS	
DETAIL	DESCRIPTION
①	HOA/SPRING
②	COVER LATCH
③	LATCH CATCH
④	HINGE
⑤	GASKET

D

C

B

A



A

babcockdavis
9300 73rd Avenue North
Brooklyn Park, MN 55428

TITLE:
ROOF HATCH
RETROFIT
REPLACEMENT COMPONENTS
ALUMINUM AND STEEL

NAME DATE
DRAWN BES 1/23/2025
RELEASED BES 1/23/2025

SIZE DWG. NO.
B BRHRKIT-RETRO

WEIGHT: VARIES SHEET 1 OF 4

REV

PROPRIETARY AND CONFIDENTIAL: THE INFORMATION CONTAINED IN THIS DRAWING IS THE SOLE PROPERTY OF BABCOCK-DAVIS. ANY REPRODUCTION IN PART OR AS A WHOLE WITHOUT THE WRITTEN PERMISSION OF BABCOCK-DAVIS IS PROHIBITED.
©2022 BABCOCK-DAVIS

8 7 6 5 4 3 2 1

8

7

6

5

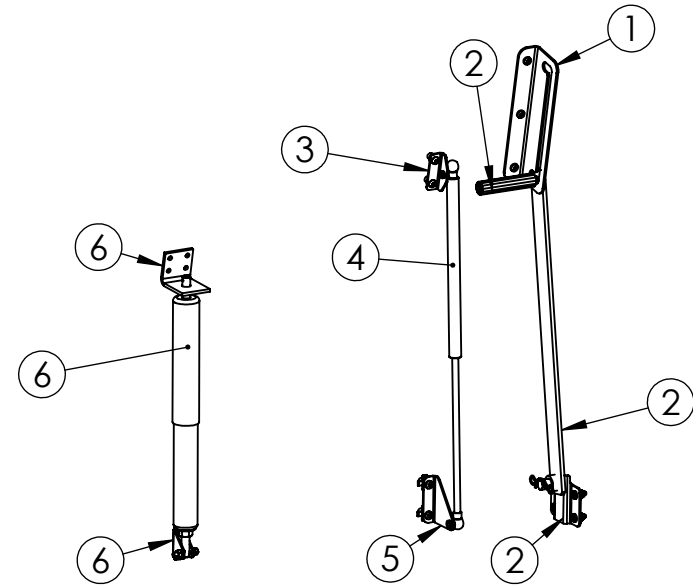
4

3

2

1

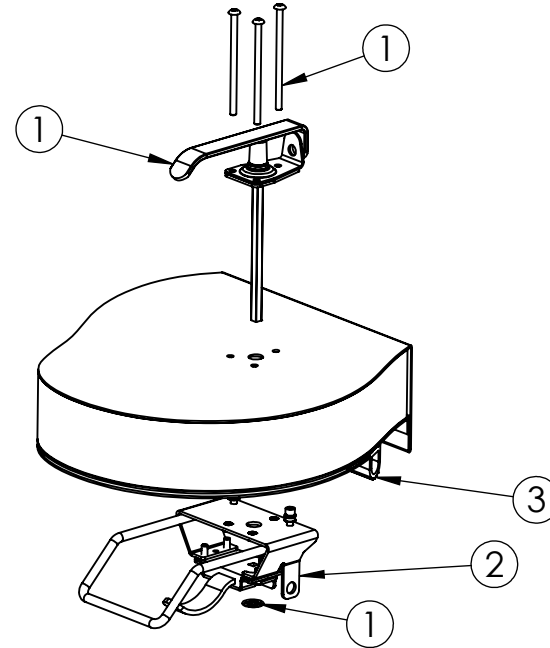
D



REPLACEMENT SINGLE POINT LATCH CATCH

ITEM	REPLACEMENT KIT #	OEM PART #	DESCRIPTION
①	RHRTKIT-HOACVR	28567	PKG, HOA COVER BRACKET
②	RHRTKIT-HOACURB	32331	PKG, HOA AND CURB HARDWARE
③	RHKIT-SPRINGBRKT	29944	PKG, SPRING COVER BRACKET
④	RHKIT-SPRING-150	30268	PKG, 150N SPRING
④	RHKIT-SPRING-250	29880	PKG, 250N SPRING
④	RHKIT-SPRING-500	29881	PKG, 500N SPRING
④	RHKIT-SPRING-600	30269	PKG, 600N SPRING
⑤	RHRKIT-CURBSPGBKT	32323	PKG, SPRING CURB BRACKET
⑥	RHRKIT-COMPSPG-145	32414	PKG, COMPRESSION SPG, 145 LB
⑥	RHRKIT-COMPSPG-65	32415	PKG, COMPRESSION SPG, 65 LB

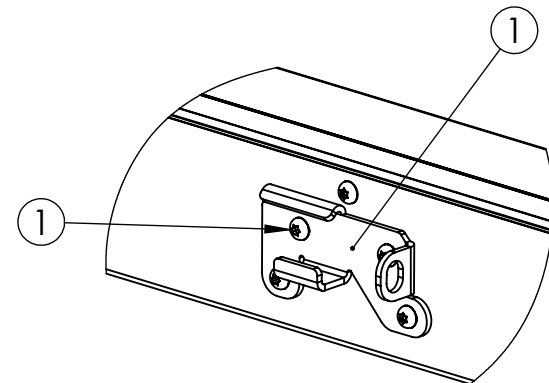
C



REPLACEMENT COVER LATCH/GASKET

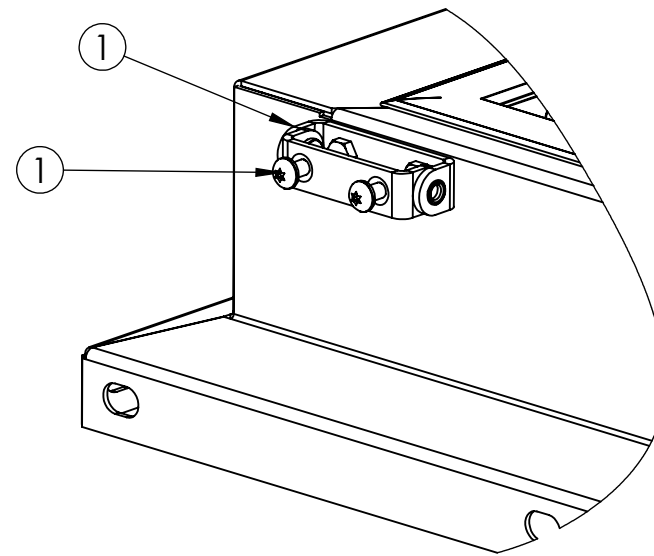
ITEM	REPLACEMENT KIT #	OEM PART #	DESCRIPTION
①	RHTKIT-EXTHDL	30303	PKG, EXTERIOR TURN HANDLE
②	RHKIT-INTHDL	30413	PKG, INTERIOR TURN HANDLE
③	RHTKIT-GASKET	31547	10 FT, GASKET

B



REPLACEMENT SINGLE POINT LATCH CATCH

ITEM	REPLACEMENT KIT #	OEM PART #	DESCRIPTION
①	RHTKIT-CATCH	30448	PKG, LATCH CATCH

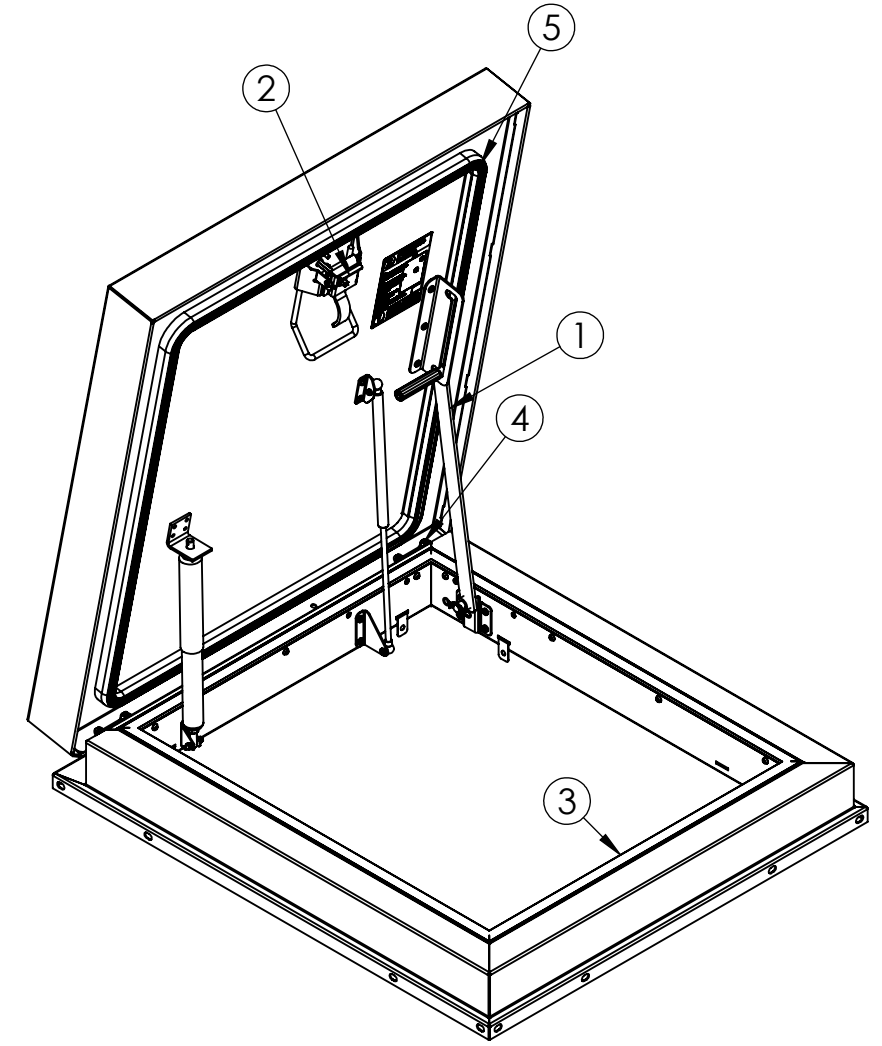


REPLACEMENT HINGE

ITEM	REPLACEMENT KIT #	OEM PART #	DESCRIPTION
①	RHTKIT-HINGE	31757	PKG, HINGE

A

ROOF HATCH KITS	
DETAIL	DESCRIPTION
①	HOA/SPRING
②	COVER LATCH
③	LATCH CATCH
④	HINGE
⑤	GASKET



D

C

B

A



9300 73rd Avenue North
Brooklyn Park, MN 55428

TITLE:
ROOF HATCH
RETROFIT
REPLACEMENT COMPONENTS
ALUMINUM AND STEEL

	NAME	DATE
DRAWN	BES	1/23/2025
RELEASED	BES	1/23/2025

SIZE	DWG. NO.	REV
B	BRHRKIT-RETRO	
WEIGHT: VARIES		SHEET 2 OF 4

8

7

6

5

4

3

2

1

8

7

6

5

4

3

2

1

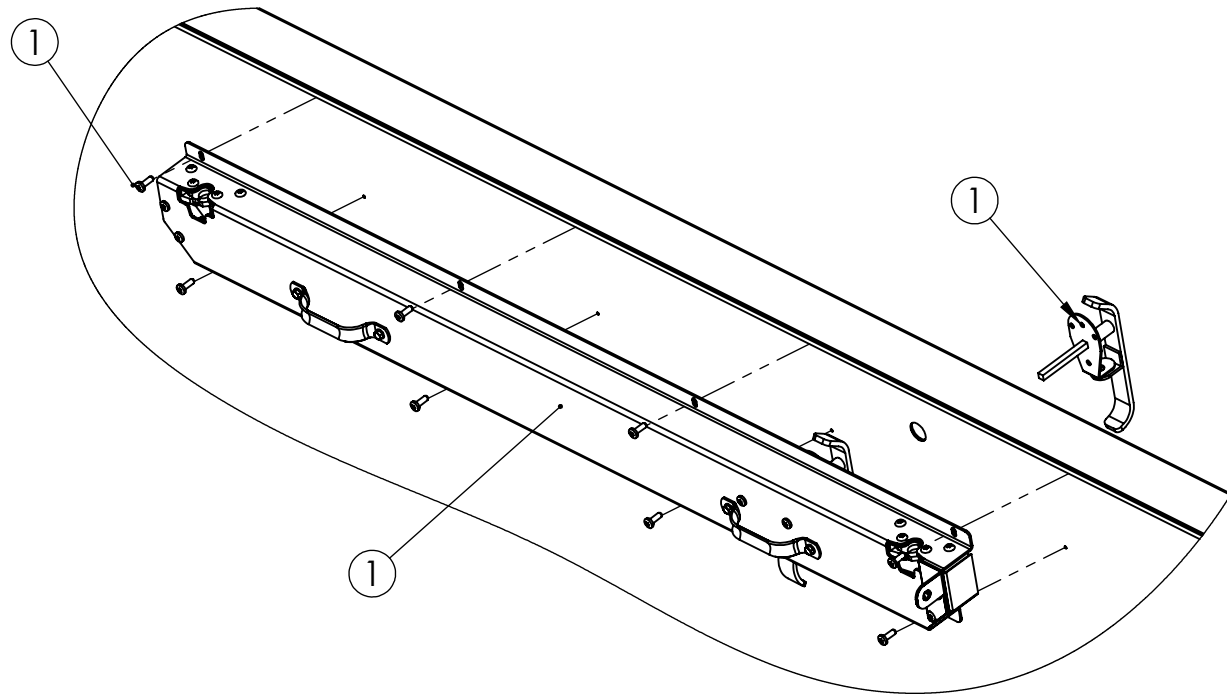
ROOF HATCH KITS	
DETAIL	DESCRIPTION
①	COVER LATCH
②	LATCH CATCH

D

D

C

C

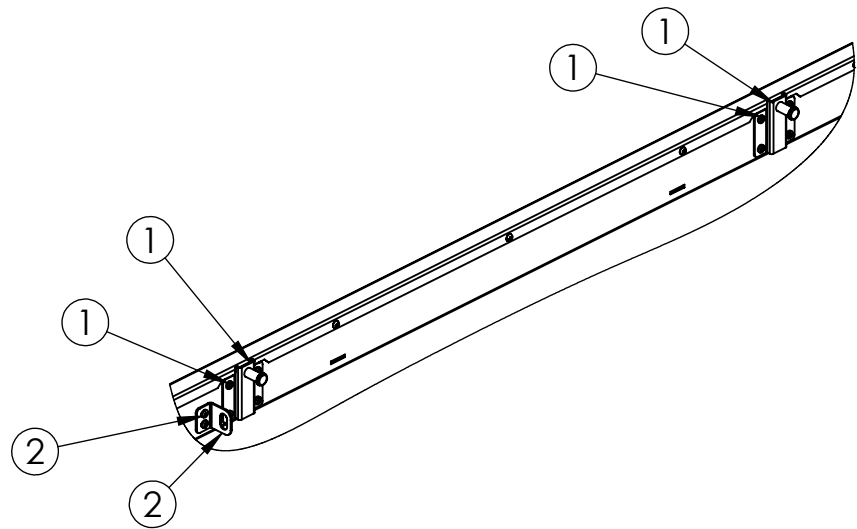


REPLACEMENT 2 POINT COVER LATCH

ITEM	REPLACEMENT KIT #	OEM PART #	DESCRIPTION
①	RHKIT-2PTLATCH	28912	PKG, TWO POINT LATCH ASSY

B

B

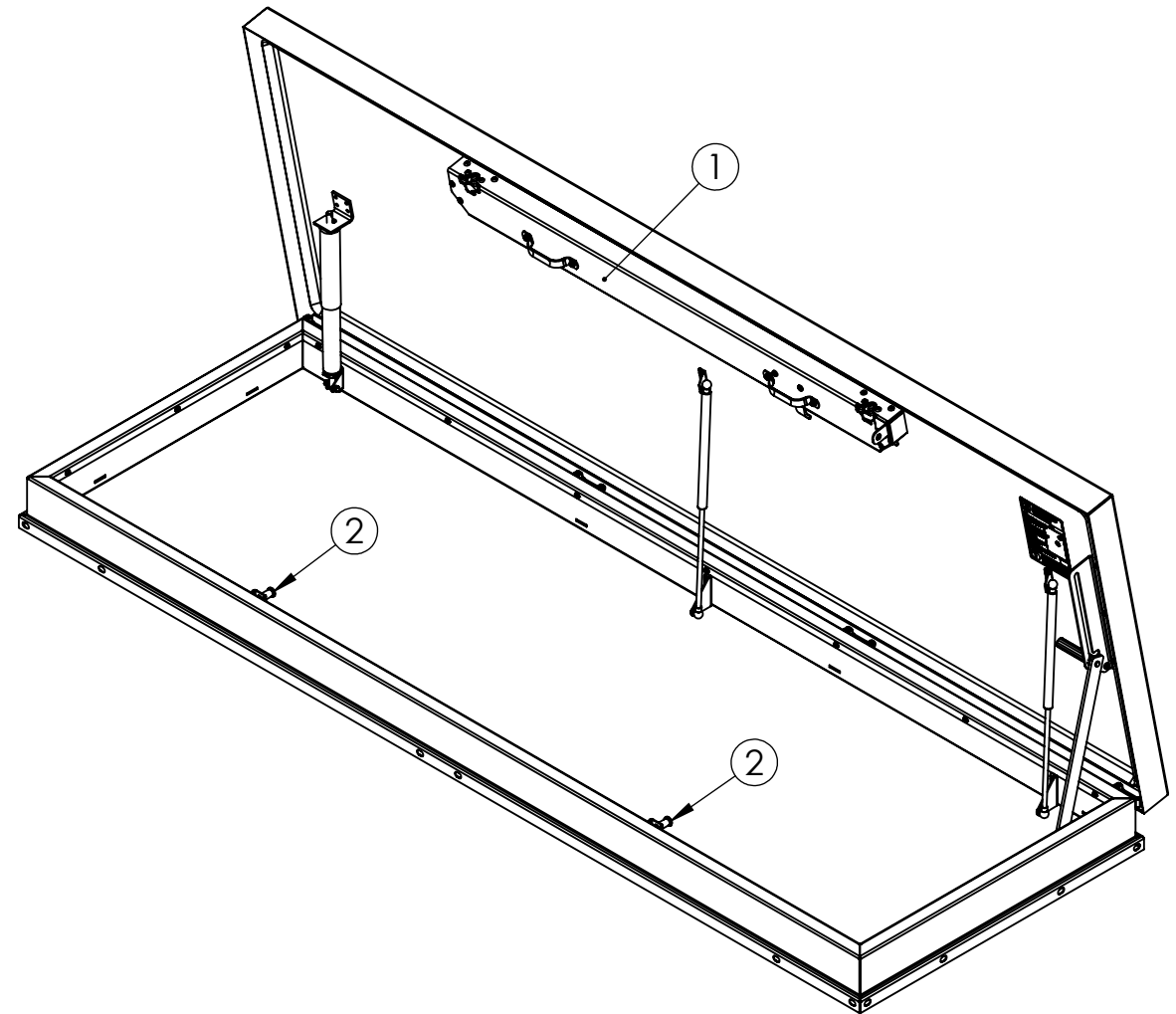


REPLACEMENT 2 POINT LATCH CATCH

ITEM	REPLACEMENT KIT #	OEM PART #	DESCRIPTION
①	RHRKIT-2PTCATCH	32326	PKG, TWO POINT LATCH CATCHES
②	RHKIT-HASP	29675	PKG, PADLOCK HASP

A

A



<p>9300 73rd Avenue North Brooklyn Park, MN 55428</p>	TITLE:		ROOF HATCH RETROFIT REPLACEMENT COMPONENTS THERMALLY BROKEN		
	NAME	DATE	SIZE	DWG. NO.	REV
DRAWN	BES	1/23/2025	B	BRHRKIT-RETRO	
RELEASED	BES	1/23/2025			

PROPRIETARY AND CONFIDENTIAL: THE INFORMATION CONTAINED IN THIS DRAWING IS THE SOLE PROPERTY OF BABCOCK-DAVIS. ANY REPRODUCTION IN PART OR AS A WHOLE WITHOUT THE WRITTEN PERMISSION OF BABCOCK-DAVIS IS PROHIBITED.
©2022 BABCOCK-DAVIS

8

7

6

5

4

3

2

1

8

7

6

5

4

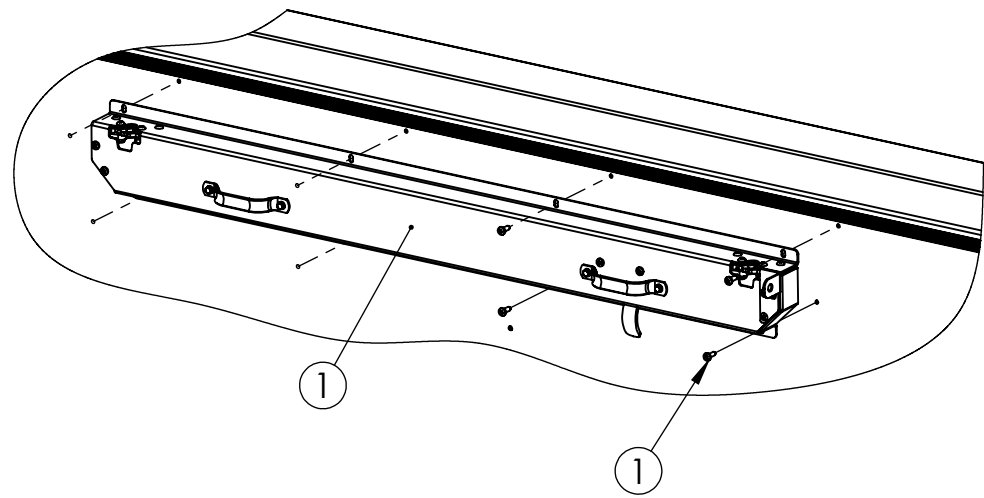
3

2

1

ROOF HATCH KITS	
DETAIL	DESCRIPTION
①	COVER LATCH
②	LATCH CATCH

D

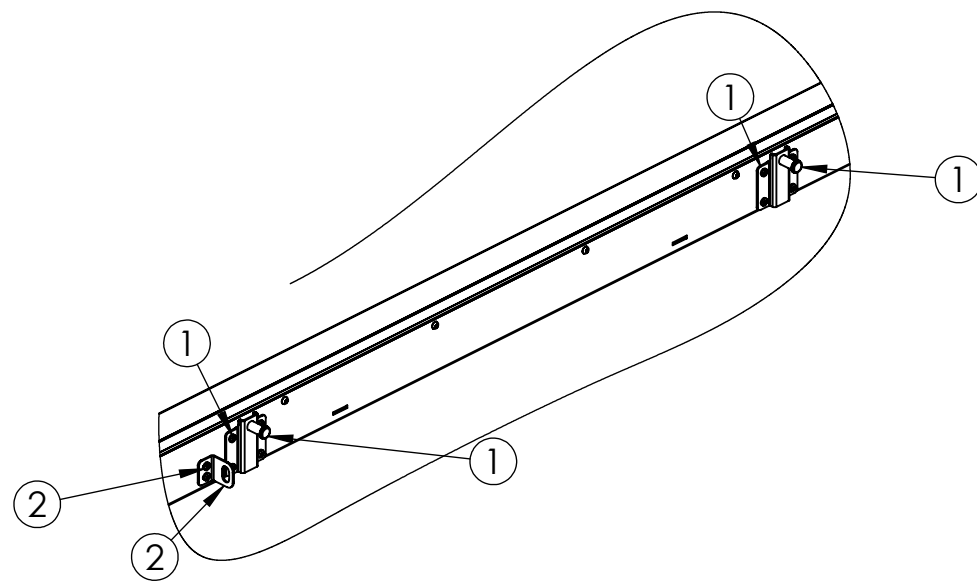


C

REPLACEMENT 2 POINT COVER LATCH

ITEM	REPLACEMENT KIT #	OEM PART #	DESCRIPTION
①	RHTKIT-2PTLATCH	31207	PKG, TWO POINT LATCH ASSY

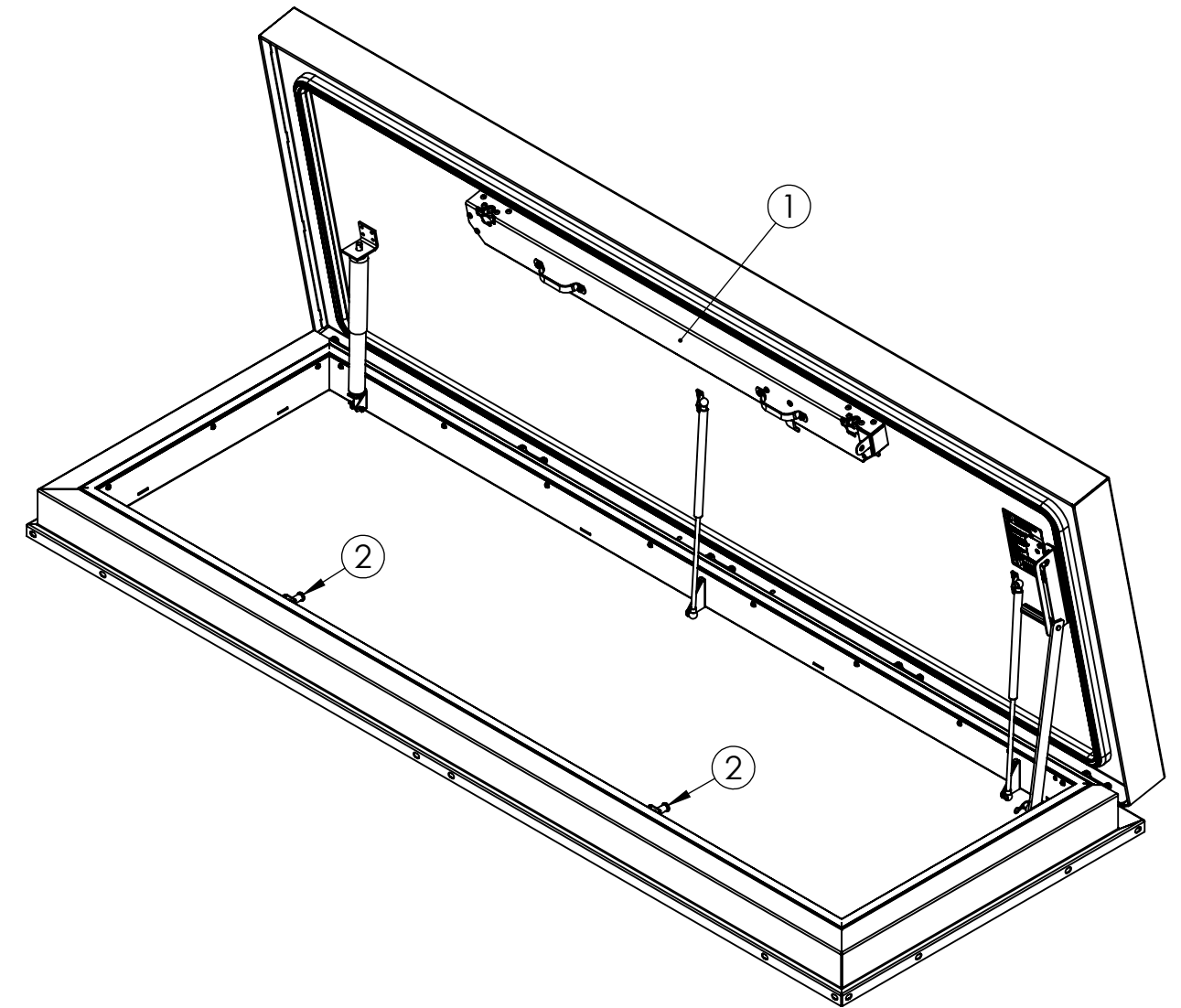
B



REPLACEMENT 2 POINT LATCH CATCH

ITEM	REPLACEMENT KIT #	OEM PART #	DESCRIPTION
①	RHRKIT-2PTCATCH	32326	PKG, TWO POINT LATCH CATCHES
②	RHKIT-HASP	29675	PKG, PADLOCK HASP

A



D

C

B

A

<p>9300 73rd Avenue North Brooklyn Park, MN 55428</p>	TITLE:		ROOF HATCH RETROFIT REPLACEMENT COMPONENTS THERMALLY BROKEN	
	NAME	DATE	SIZE	DWG. NO.
DRAWN	BES	1/23/2025	B	BRHRKIT-RETRO
RELEASED	BES	1/23/2025		
WEIGHT: VARIES			SHEET 4 OF 4	

PROPRIETARY AND CONFIDENTIAL: THE INFORMATION CONTAINED IN THIS DRAWING IS THE SOLE PROPERTY OF BABCOCK-DAVIS. ANY REPRODUCTION IN PART OR AS A WHOLE WITHOUT THE WRITTEN PERMISSION OF BABCOCK-DAVIS IS PROHIBITED.
©2022 BABCOCK-DAVIS

8

7

6

5

4

3

2

1