

**SPECIFICATIONS:**

- ① **COVER:**  
14 GA GALV STEEL, STIFFENED TO WITHSTAND A LIVE LOAD OF 40PSF WITH A MAX DEFLECTION OF 1/150 OF THE SPAN.
- ② **LINER:** 22 GA GALV STEEL
- ③ **CURB:** 14 GA GALV STEEL, CURB COUNTERFLASH WITH EZ TABS.
- ④ **FINISH:** RED OXIDE PWD
- ⑤ **INSULATION:** 1" POLYISO R-6 (5.6 LTTR) IN CURB, 1" POLYSTYRENE R-4 (3.8 LTTR) IN COVER.
- ⑥ **GASKET:**  
EXTRUDED EPDM RUBBER ADHESIVE BACKED GASKET SEAL CONTINUOUS AROUND COVER.
- ⑦ **SPRING:**  
SPRINGS PROVIDE SMOOTH, CONTROLLED, COUNTERBALANCED LIFT ASSISTANCE.
- ⑧ **HINGE:** PINTLE HINGE WITH STAINLESS STEEL HINGE PINS.
- ⑨ **HOLD OPEN ARM:**  
STEEL AUTOMATIC HOLD OPEN ARM LOCKS COVER IN FULLY OPEN POSITION WITH RED GRIP HANDLE PULL RELEASE.

⑩ **LATCH:**

LATCH, HOLDS COVERS CLOSED AGAINST WIND UPLIFT, INTERIOR AND EXTERIOR HANDLES WITH PADLOCK HASPS.

⑪ **PULL HANDLE:** INTERIOR PULL DOWN HANDLE

**NOTES:**

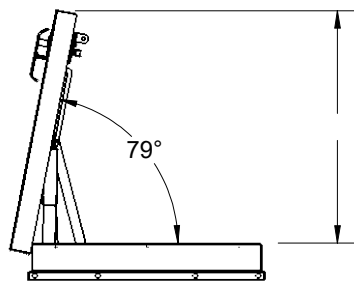
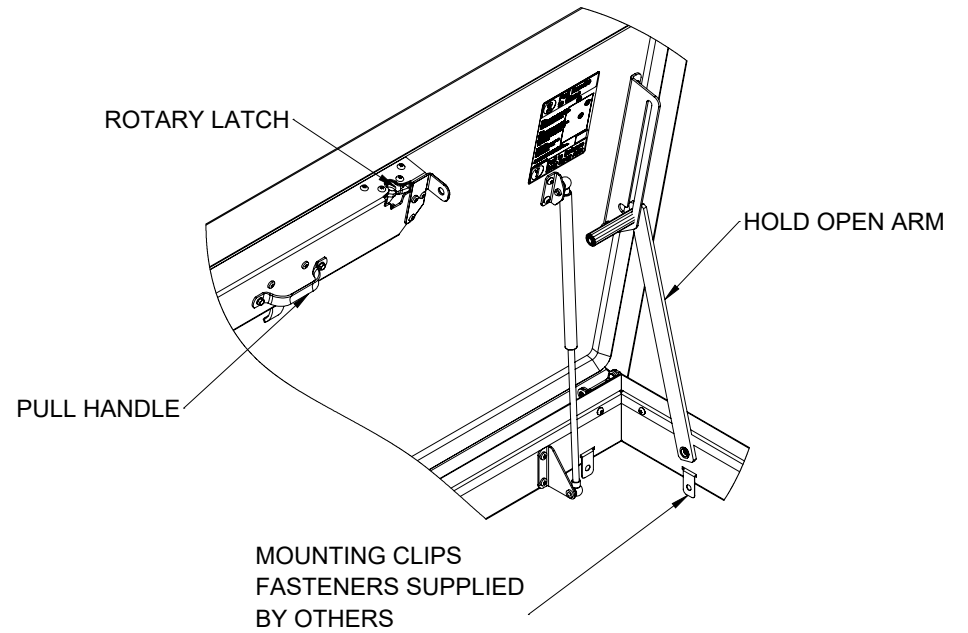
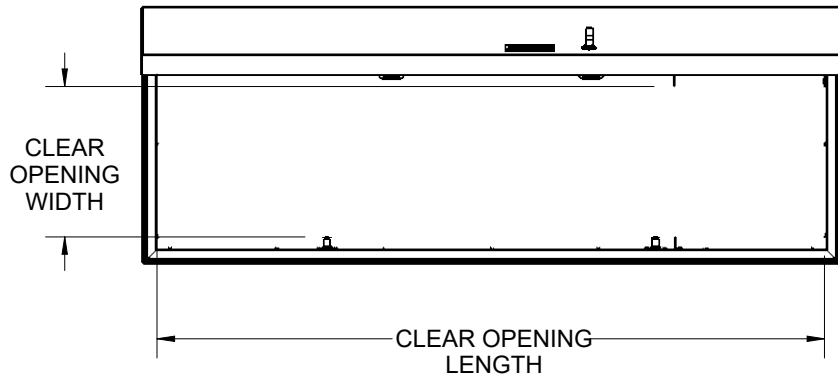
- WHEN INSTALLING ON A PITCHED ROOF UP TO 7:12, THE HINGE SIDE (LENGTH) MUST BE PARALLEL TO THE SLOPE.
- WIDTH X LENGTH DIMENSIONS ARE MEASURED INSIDE CURB TO INSIDE CURB. THE WIDTH IS HINGE TO LATCH AND LENGTH IS HINGED SIDE.


**ROOF HATCH SIZE:**

**OPTIONS**

**Stainless Steel Hardware**

PROJECT:			
ARCHITECT:			
CONTRACTOR:			
QTY:			
PART#:			
		TITLE:	
		9300 73rd Avenue North Brooklyn Park, MN 55428	
NAME	DATE	SIZE	DWG. NO.
RELEASED		A	Babcock RH BRHRG_X_S1T ShpDr
WEIGHT:		SHEET 1 OF 2	



			TITLE:		
9300 73rd Avenue North Brooklyn Park, MN 55428					
NAME	DATE	SIZE	DWG. NO.	REV	
DRAWN		A	Babcock RH BRHRG_X_S1T ShpDr		
RELEASED		WEIGHT:	SHEET 2 OF 2		

PROPRIETARY AND CONFIDENTIAL: THE INFORMATION CONTAINED IN THIS DRAWING IS THE SOLE PROPERTY OF BABCOCK-DAVIS. ANY REPRODUCTION IN PART OR AS A WHOLE WITHOUT THE WRITTEN PERMISSION OF BABCOCK-DAVIS IS PROHIBITED. ©2020 BABCOCK-DAVIS