

8

7

6

5

4

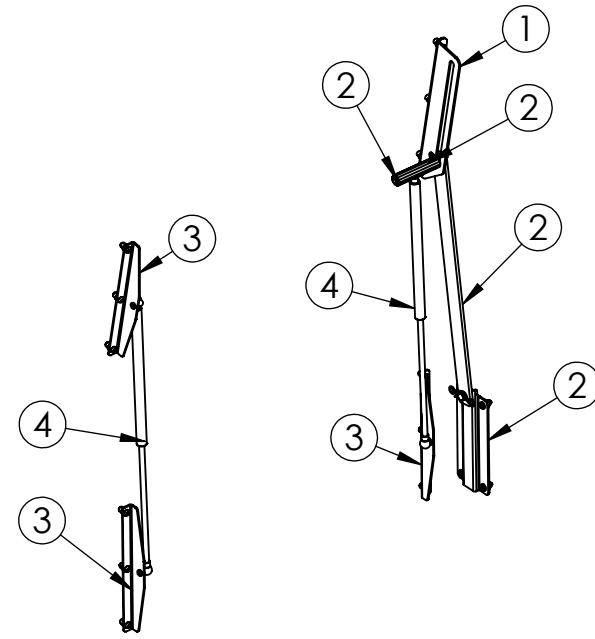
3

2

1

ROOF HATCH KITS	
DETAIL	DESCRIPTION
①	HOA/SPRING
②	COVER LATCH
③	LATCH CATCH
④	HINGE
⑤	GASKET

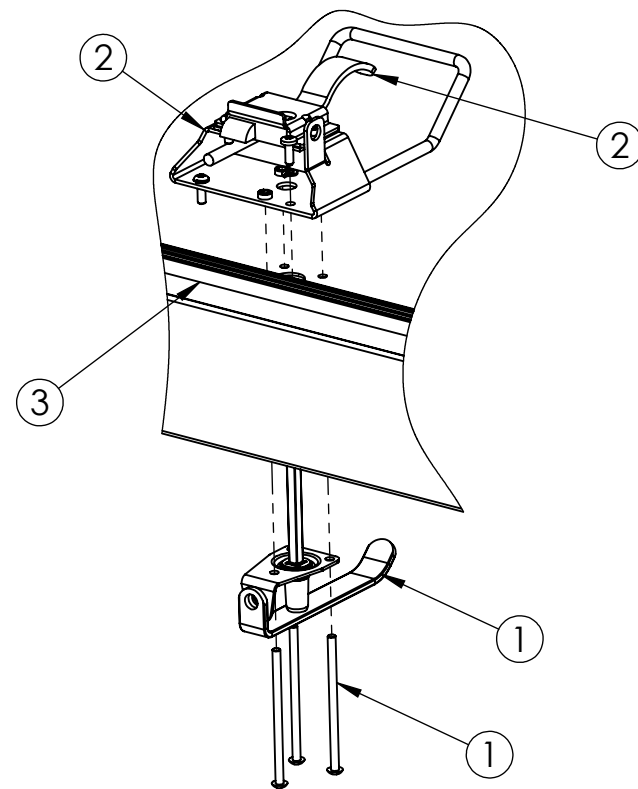
D



C

REPLACEMENT HOA/SPRING

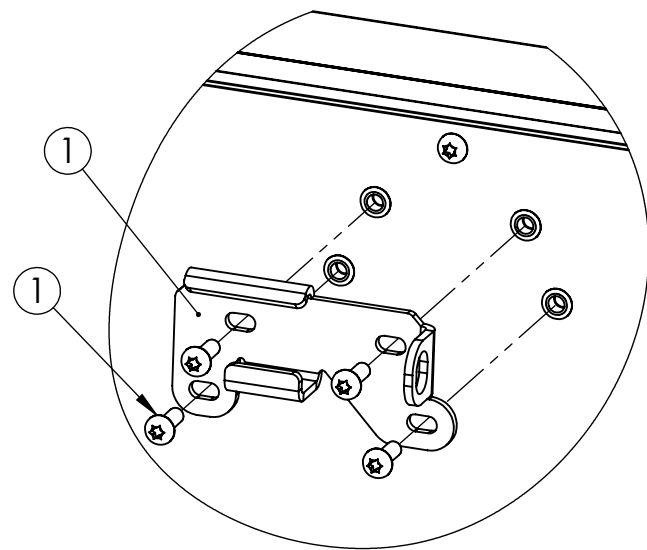
ITEM	REPLACEMENT KIT #	OEM PART #	DESCRIPTION
①	RHTKIT-HOACOVER	29940	PKG, HOA COVER BRACKET
②	RHTKIT-HOACURB	31758	PKG, HOA AND HARDWARE
③	RHTKIT-SPRINGBRKT	30623	PKG, SPRING BRACKET
④	RHTKIT-SPRING-150	30628	PKG, 150N SPRING
④	RHTKIT-SPRING-250	29880	PKG, 250N SPRING
④	RHTKIT-SPRING-500	29881	PKG, 500N SPRING
④	RHTKIT-SPRING-600	30269	PKG, 600N SPRING



REPLACEMENT COVER LATCH/GASKET

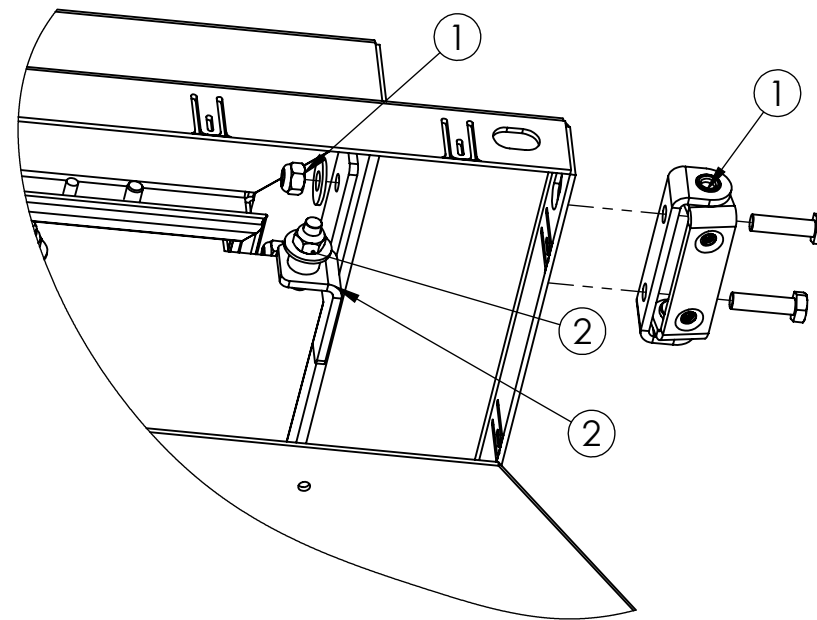
ITEM	REPLACEMENT KIT #	OEM PART #	DESCRIPTION
①	RHTKIT-EXTHDL	30303	PKG, EXTERIOR TURN HANDLE
②	RHTKIT-INTHDL	31760	PKG, INTERIOR TURN HANDLE
③	RHTKIT-GASKET	31547	PKG, GASKET

B



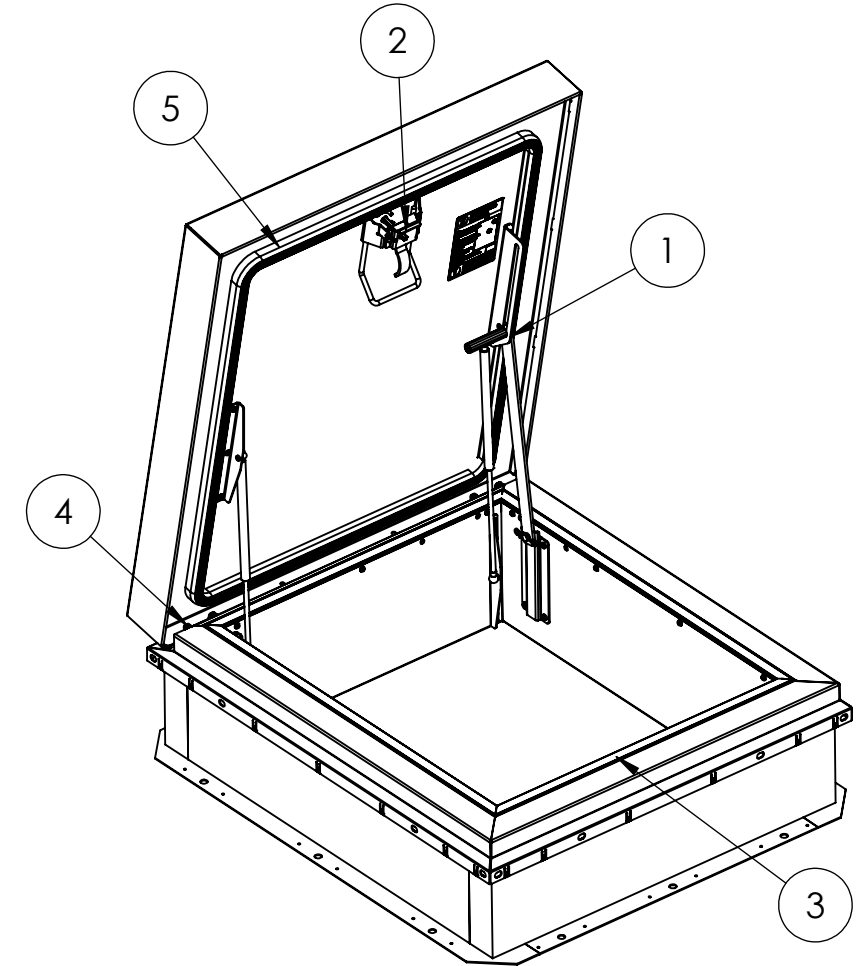
REPLACEMENT LATCH CATCH

ITEM	REPLACEMENT KIT #	OEM PART #	DESCRIPTION
①	RHTKIT-CATCH	30448	PKG, LATCH CATCH



REPLACEMENT HINGE

ITEM	REPLACEMENT KIT #	OEM PART #	DESCRIPTION
①	RHTKIT-HINGE	31757	PKG, HINGE
②	RHTKIT-HNGBRKT	31761	PKG, HINGE BRACKET



A



9300 73rd Avenue North  
Brooklyn Park, MN 55428

TITLE:  
ROOF HATCH,  
THERMALLY BROKEN,  
REPLACEMENT COMPONENTS

DRAWN: 5/11/2022  
RELEASED: BES 5/17/2022

NAME: DATE: 5/11/2022  
SIZE: DWG. NO.:  
REV: WEIGHT: VARIES SHEET 1 OF 2

**B** RETRO-FIT KITS

PROPRIETARY AND CONFIDENTIAL: THE INFORMATION CONTAINED IN THIS DRAWING IS THE SOLE PROPERTY OF BABCOCK-DAVIS. ANY REPRODUCTION IN PART OR AS A WHOLE WITHOUT THE WRITTEN PERMISSION OF BABCOCK-DAVIS IS PROHIBITED.  
©2022 BABCOCK-DAVIS

8

7

6

5

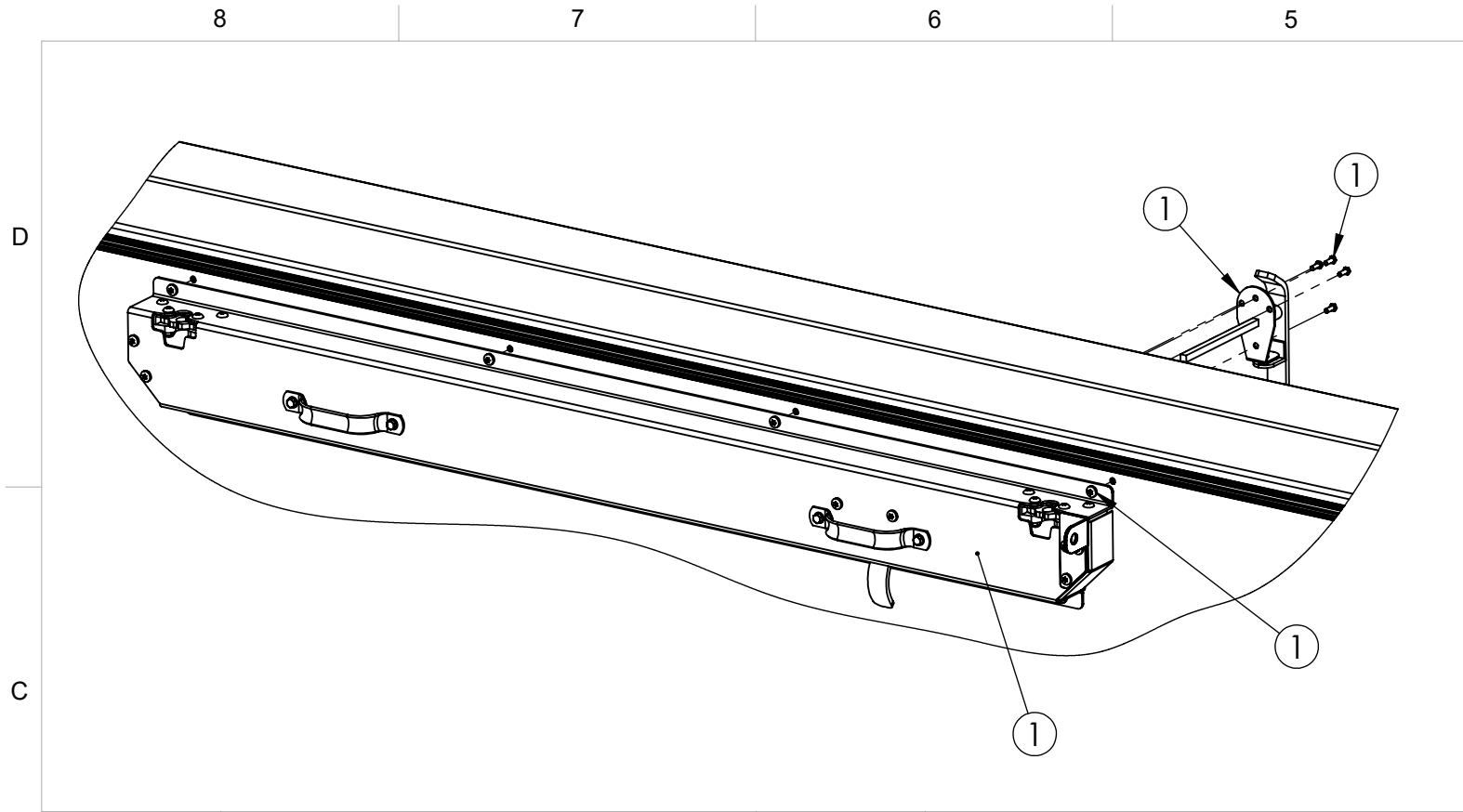
4

3

2

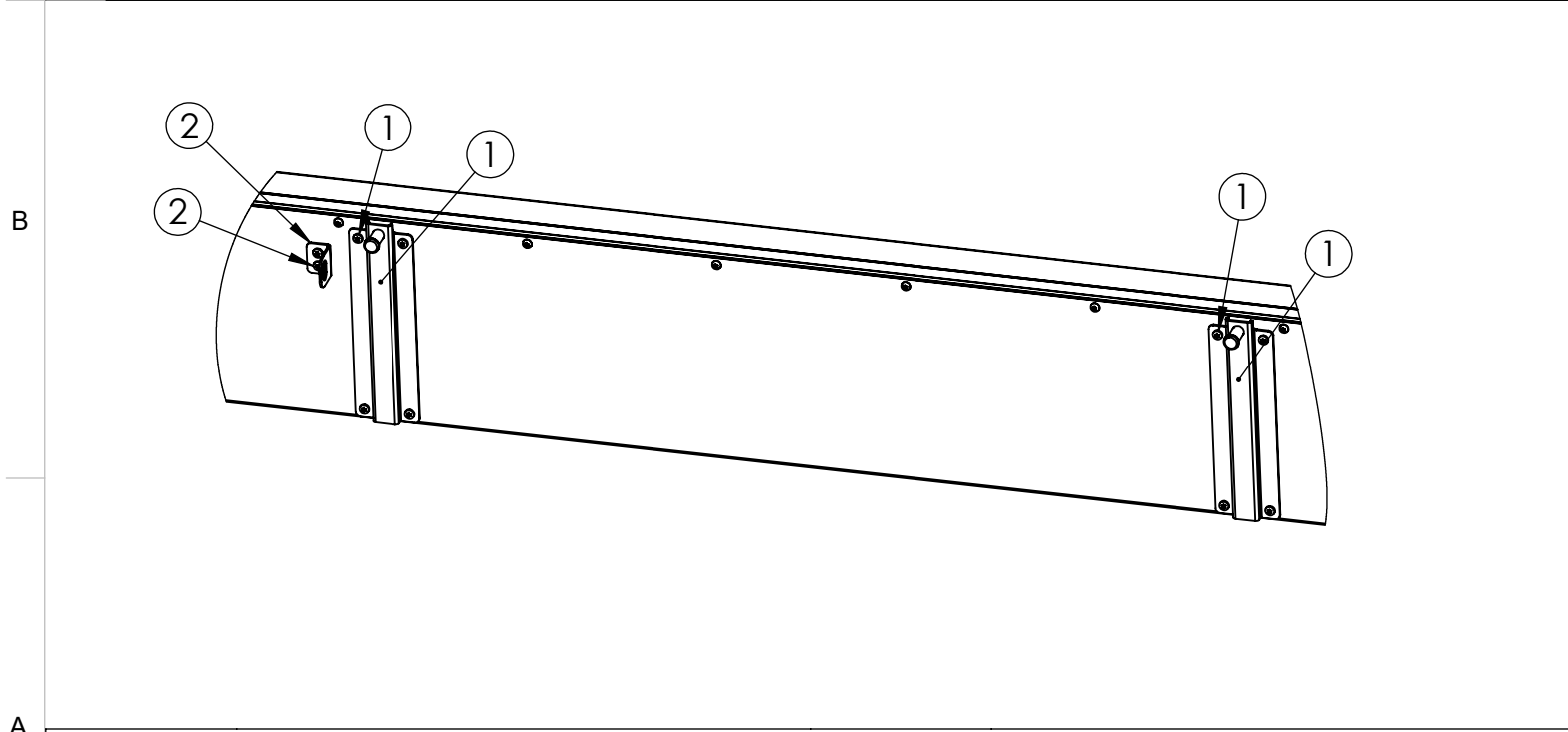
1

ROOF HATCH KITS	
DETAIL	DESCRIPTION
①	COVER LATCH
②	LATCH CATCH



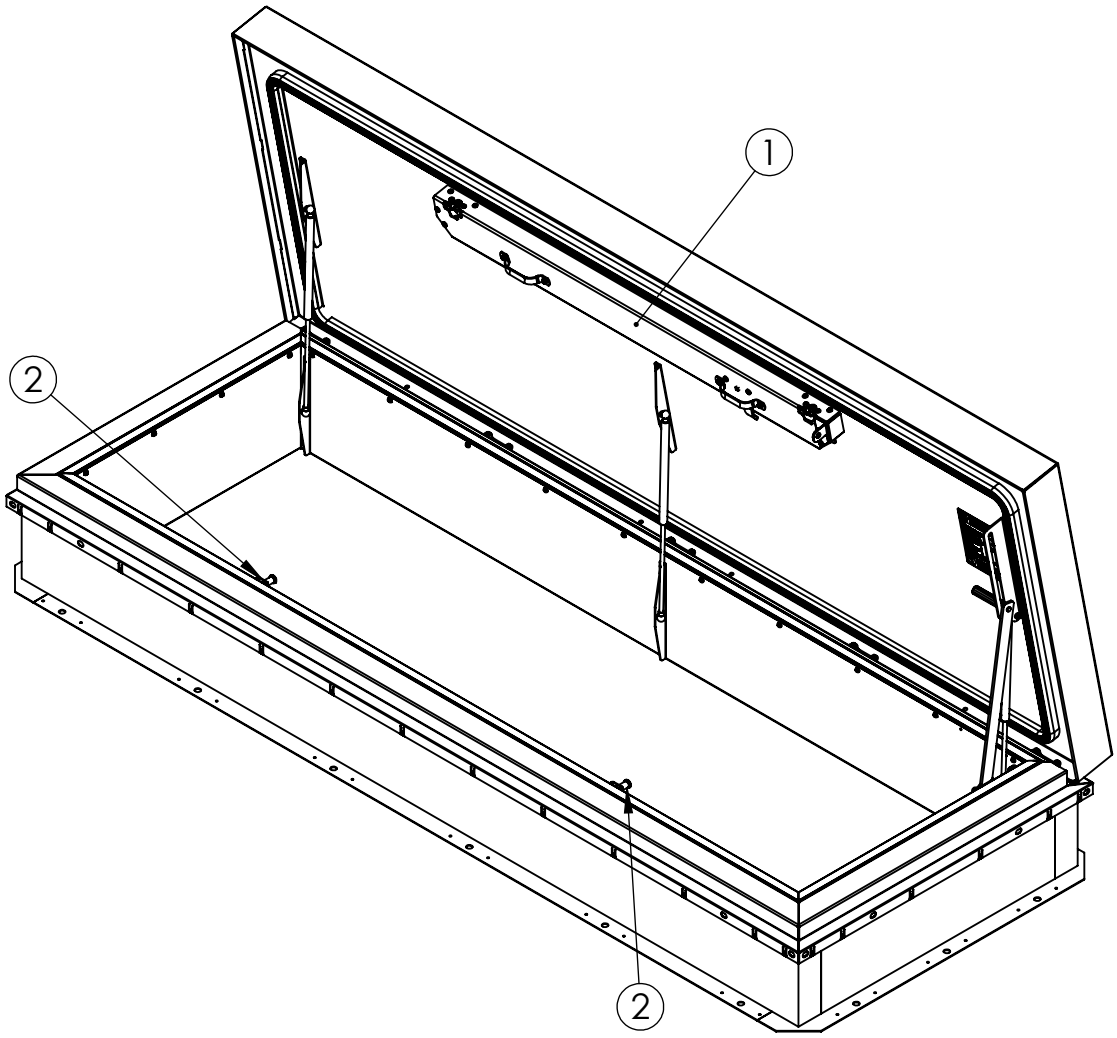
REPLACEMENT 2 POINT COVER LATCH

ITEM	REPLACEMENT KIT #	OEM PART #	DESCRIPTION
①	RHTKIT-2PTLATCH	28912	PKG, TWO POINT LATCH



REPLACEMENT 2 POINT LATCH CATCH

ITEM	REPLACEMENT KIT #	OEM PART #	DESCRIPTION
①	RHTKIT-2PTCATCH	28904	PKG, TWO POINT LATCH CATCHES
②	RHTKIT-HASP	29675	PKG, PADLOCK HASP



9300 73rd Avenue North  
Brooklyn Park, MN 55428

NAME	DATE
DRAWN	5/11/2022
RELEASED	BES 5/17/2022

TITLE:  
ROOF HATCH,  
THERMALLY BROKEN,  
REPLACEMENT COMPONENTS

SIZE	DWG. NO.	REV
B	RETRO-FIT KITS	
WEIGHT: VARIES		SHEET 2 OF 2

PROPRIETARY AND CONFIDENTIAL: THE INFORMATION CONTAINED IN THIS DRAWING IS THE SOLE PROPERTY OF BABCOCK-DAVIS. ANY REPRODUCTION IN PART OR AS A WHOLE WITHOUT THE WRITTEN PERMISSION OF BABCOCK-DAVIS IS PROHIBITED.  
©2022 BABCOCK-DAVIS