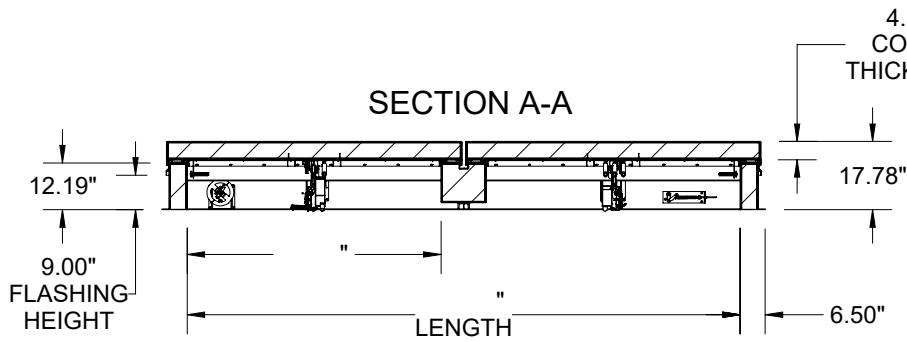
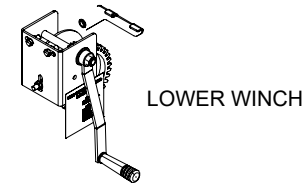
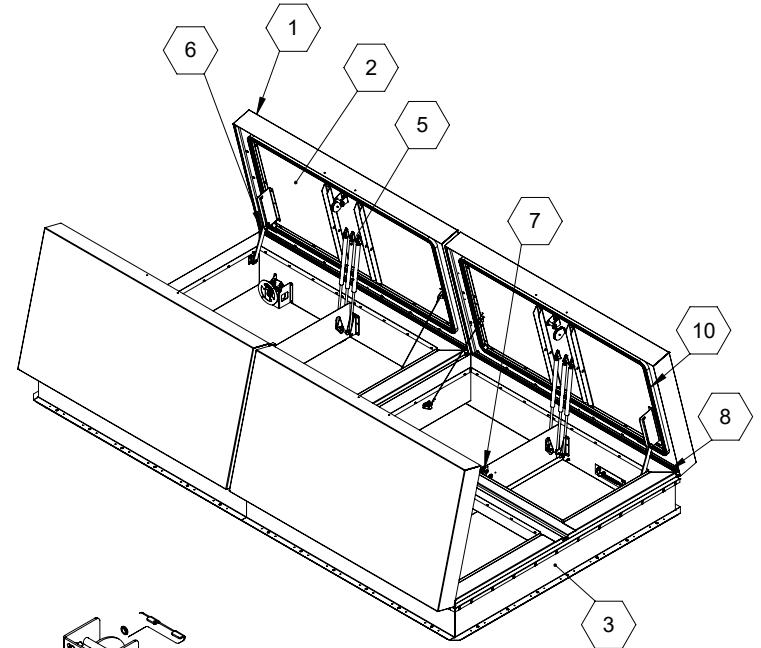


SECTION B-B



SECTION A-A



LOWER WINCH

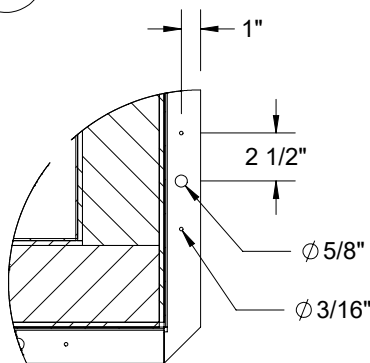
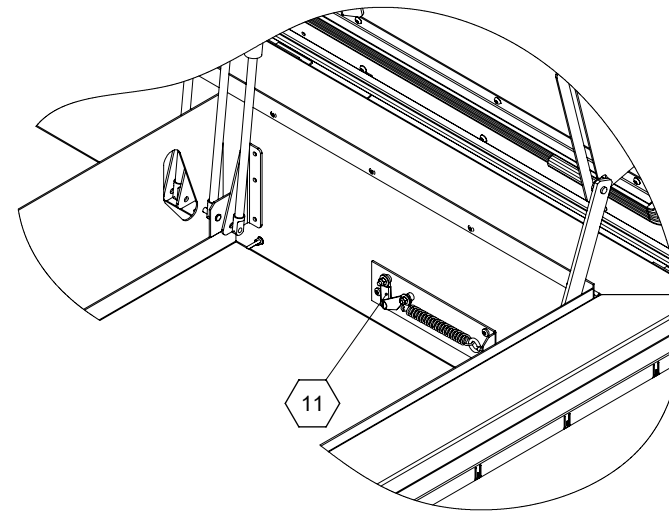
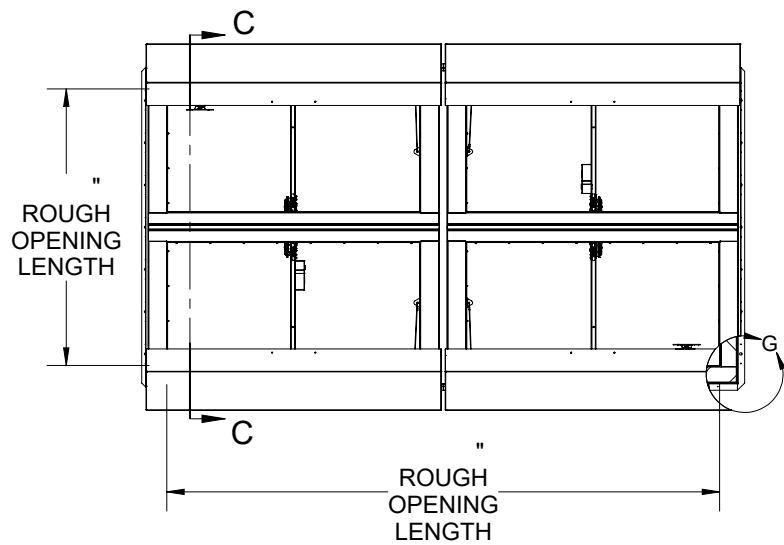
SPECIFICATIONS:

- ① **COVER:** 14 GAUGE GALVANNEAL COVER STIFFENED TO WITHSTAND A LIVE LOAD OF 40 PSF WITH A MAX DEFLECTION OF 1/150 OF THE SPAN
- ② **LINER:** 12 GAUGE GALVANNEAL
- ③ **CURB:** DBL WALL CURB, 12 GAUGE GALVANNEAL
- ④ **FINISH:** COVER - POWDER COAT, HIGH REFLECTANCE WHITE EXTERIOR, BLACK INTERIOR  
CURB - POWDER COAT, BLACK
- ⑤ **GAS SPRING WITH DAMPER:** DESIGNED TO OPEN AGAINST A 10PSF SNOW LOAD IN NOT LESS THAN 2 SECONDS
- ⑥ **HOLD OPEN ARM:** LOCKS COVER IN FULLY OPEN POSITION - ZINC PLATED STEEL
- ⑦ **LATCH:** ZINC PLATED STEEL ROTARY LATCH ASSEMBLY DESIGNED TO HOLD COVERS CLOSED AGAINST 90 PSF WIND UPLIFT, ZINC PLATED STEEL LATCH STRIKERS ON COVERS
- ⑧ **HINGES:** 304 STAINLESS STEEL BUTT HINGE WITH 1/4" PIN
- ⑨ **INSULATION:** MINERAL WOOL W/ SOUND MAT, R-VALUE 16.8
- ⑩ **GASKETS:** ADHESIVE BACKED EPDM RUBBER EXTRUSION ON CURB AND COVER
- ⑪ **THERMAL RELEASE MECHANISM:** VENT COVERS OPEN THERMALLY BY HEAT AT FUSIBLE LINK TEMPERATURE
- ⑫ **MANUAL OPERATION:** VENT COVERS OPEN WITH INTERNAL AND EXTERNAL MANUAL PULL HANDLES, 1/16" DIA SST CABLE AND VENT COVERS OPEN AND CLOSE WITH MANUAL WINCH, 100 FT 1/8" DIA CABLE
- ⑬ **ELECTRICAL RELEASE/CONTROL:** VENT COVERS OPEN ELECTRICALLY WHEN ENERGIZED WITH REQUIRES RESET AT ROOF LEVEL
- ⑭ **SOUND RATING:** STC50 PER ASTM E90, OITC 47 PER ASTM E1332

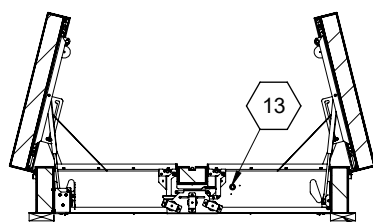
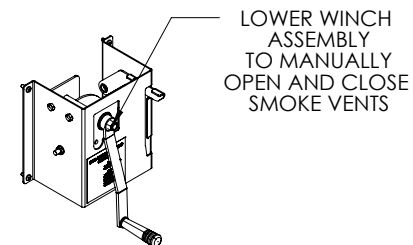
**SMOKE VENT SIZE:** "(WIDTH) x "(LENGTH)



|   |      |   |                               |
|---|------|---|-------------------------------|
| PROJECT:  |      |   |                               |
| ARCHITECT:  |      |   |                               |
| CONTRACTOR:                                       |      |   |                               |
| QTY:  |      |   |                               |
| PART#:  |      |   |                               |
|   |      | TITLE: Smoke Vent, Acoustical STC50,                    |                               |
|   |      | Galvn Steel, Black Pwd, Wht Pwd Cvr Ext, Dbl Wall Curb, |                               |
| 9300 73rd Avenue North<br>Brooklyn Park, MN 55428 |      |   |                               |
| NAME  | DATE | SIZE  | DWG. NO.                      |
| RELEASED  |      | A   | Babcock SV BSVZG_X_Q2_W ShpDr |
| WEIGHT: VARIES                                    |      |   | REV<br>-                      |

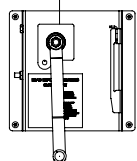


DETAIL G  
SCALE 1 : 10



SECTION C-C

WOOD, CONCRETE, OTHER MATERIAL FOR MOUNTING BY OTHERS (NIC)



100' OF CABLING INCLUDED RIGGING TO FLOOR/CATWALK BY OTHERS



9300 73rd Avenue North  
Brooklyn Park, MN 55428

TITLE: Smoke Vent, Acoustical STC50,

Galvn Steel, Black Pwd, Wht Pwd Cvr Ext, Dbl Wall Curb,

| NAME     | DATE | SIZE | DWG. NO.                      | REV          |
|----------|------|------|-------------------------------|--------------|
| DRAWN    |      | A    | Babcock SV BSVZG_X_Q2_W ShpDr | -            |
| RELEASED |      |      | WEIGHT: VARIES                | SHEET 2 OF 2 |