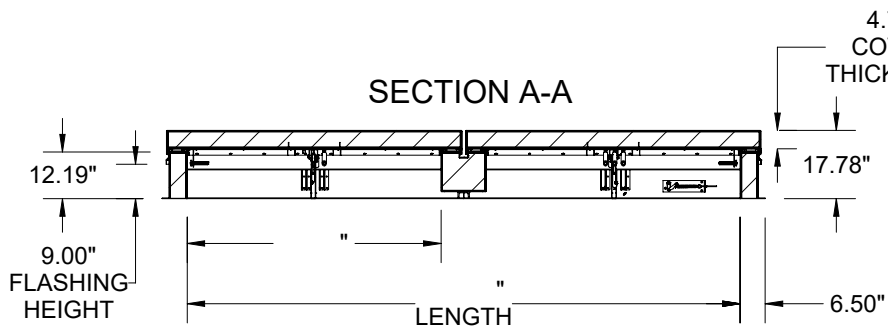
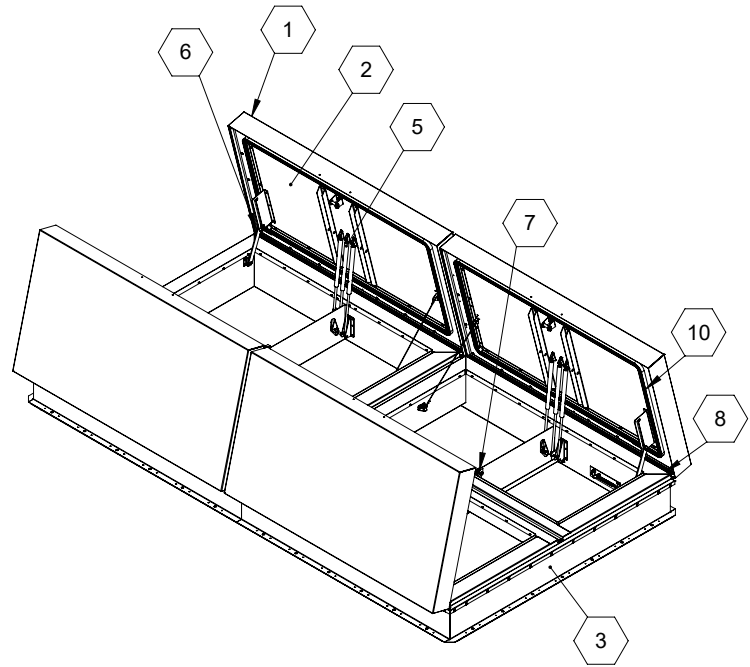


SECTION B-B



SECTION A-A



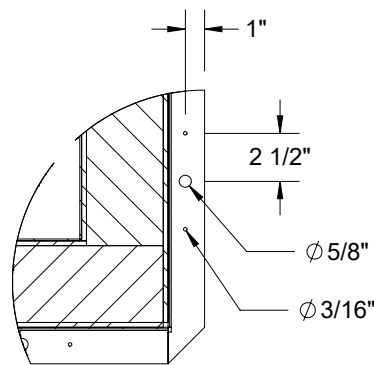
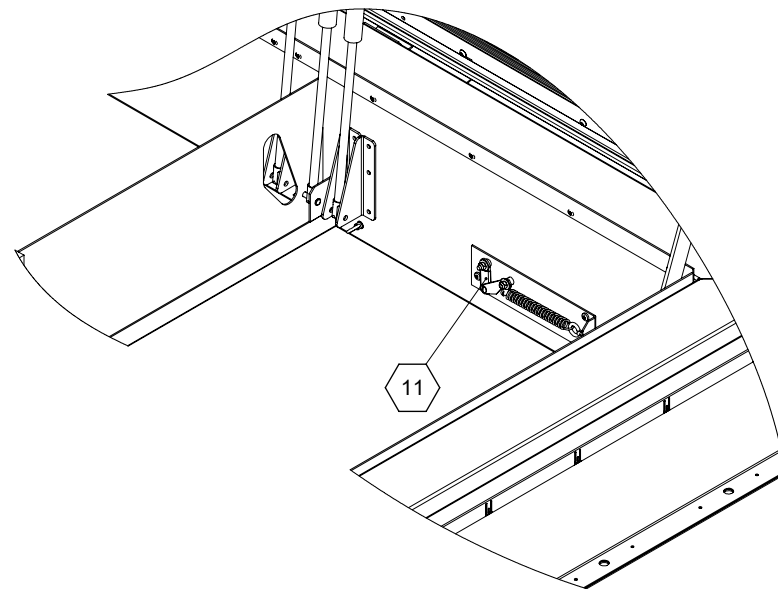
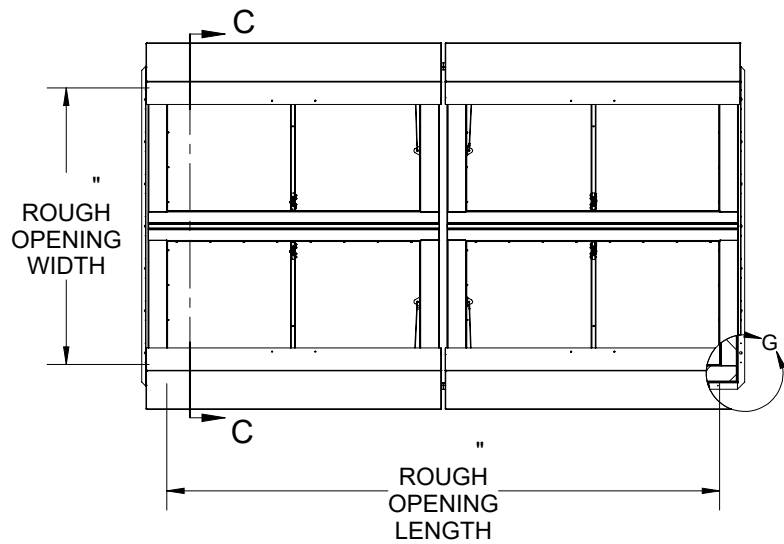
SPECIFICATIONS:

- ① **COVER:** 14 GAUGE GALVANNEAL COVER STIFFENED TO WITHSTAND A LIVE LOAD OF 40 PSF WITH A MAX DEFLECTION OF 1/150 OF THE SPAN
- ② **LINER:** 12 GAUGE GALVANNEAL
- ③ **CURB:** DBL WALL CURB, 12 GAUGE GALVANNEAL
- ④ **FINISH:** COVER - POWDER COAT, HIGH REFLECTANCE WHITE EXTERIOR, BLACK INTERIOR
CURB - POWDER COAT, BLACK
- ⑤ **GAS SPRING WITH DAMPER:** DESIGNED TO OPEN AGAINST A 10PSF SNOW LOAD IN NOT LESS THAN 2 SECONDS
- ⑥ **HOLD OPEN ARM:** LOCKS COVER IN FULLY OPEN POSITION - ZINC PLATED STEEL
- ⑦ **LATCH:** ZINC PLATED STEEL ROTARY LATCH ASSEMBLY DESIGNED TO HOLD COVERS CLOSED AGAINST 90 PSF WIND UPLIFT, ZINC PLATED STEEL LATCH STRIKERS ON COVERS
- ⑧ **HINGES:** 304 STAINLESS STEEL BUTT HINGE WITH 1/4" PIN
- ⑨ **INSULATION:** MINERAL WOOL W/ SOUND MAT, R-VALUE 16.8
- ⑩ **GASKETS:** ADHESIVE BACKED EPDM RUBBER EXTRUSION ON CURB AND COVER
- ⑪ **THERMAL RELEASE MECHANISM:** VENT COVERS OPEN THERMALLY BY HEAT AT FUSIBLE LINK TEMPERATURE
- ⑫ **MANUAL OPERATION:** VENT COVERS OPEN WITH INTERNAL AND EXTERNAL MANUAL PULL HANDLES, 1/16" DIA SST CABLE, CLOSE VENT AT ROOFTOP
- ⑬ **ELECTRICAL RELEASE/CONTROL:** NONE
- ⑭ **SOUND RATING:** STC50 PER ASTM E90, OITC 47 PER ASTM E1332

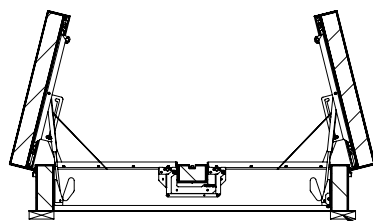
SMOKE VENT SIZE: "(WIDTH) x "(LENGTH)



PROJECT:			
ARCHITECT:			
CONTRACTOR:			
QTY:			
PART#:			
		TITLE: Smoke Vent, Acoustical STC50,	
		Galvn Steel, Black Pwd, Wht Pwd Cvr Ext, Dbl Wall Curb,	
9300 73rd Avenue North Brooklyn Park, MN 55428			
NAME	DATE	SIZE	DWG. NO.
RELEASED		A	Babcock SV BSVZG_X_Q2N_R ShpDr
WEIGHT: VARIES		SHEET 1 OF 2	



DETAIL G
SCALE 1 : 10



SECTION C-C

WOOD, CONCRETE, OTHER
MATERIAL FOR MOUNTING
BY OTHERS (NIC)



9300 73rd Avenue North
Brooklyn Park, MN 55428

TITLE: Smoke Vent, Acoustical STC50,
Galvn Steel, Black Pwd, Wht Pwd Cvr Ext, Dbl
Wall Curb,

NAME	DATE	SIZE	DWG. NO.	REV
DRAWN		A	Babcock SV BSVZG_X_Q2N_R ShpDr	-
RELEASED			WEIGHT: VARIES	SHEET 2 OF 2