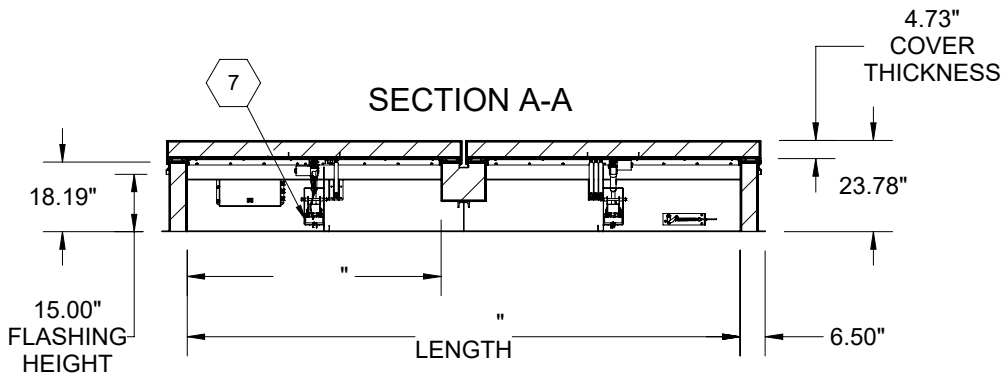
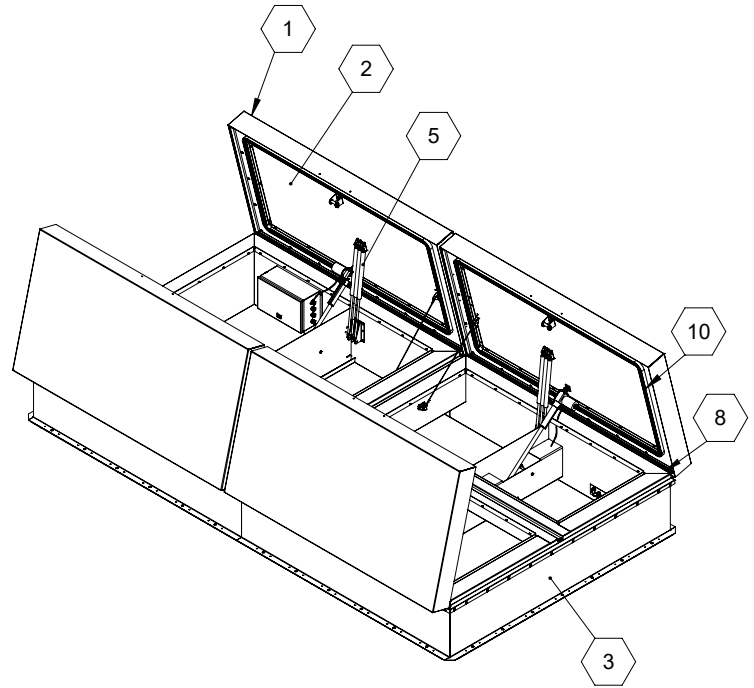


SECTION B-B




SECTION A-A

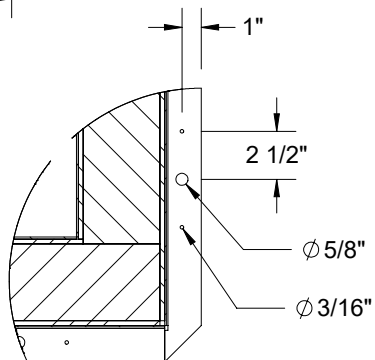
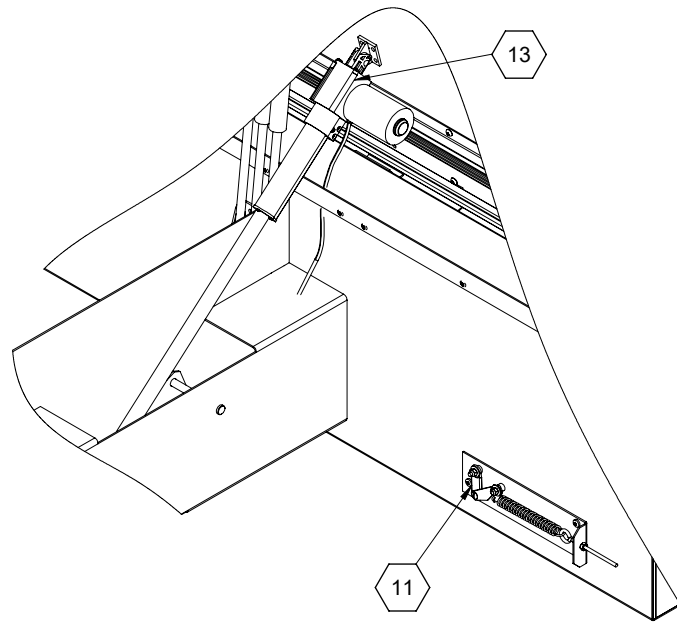
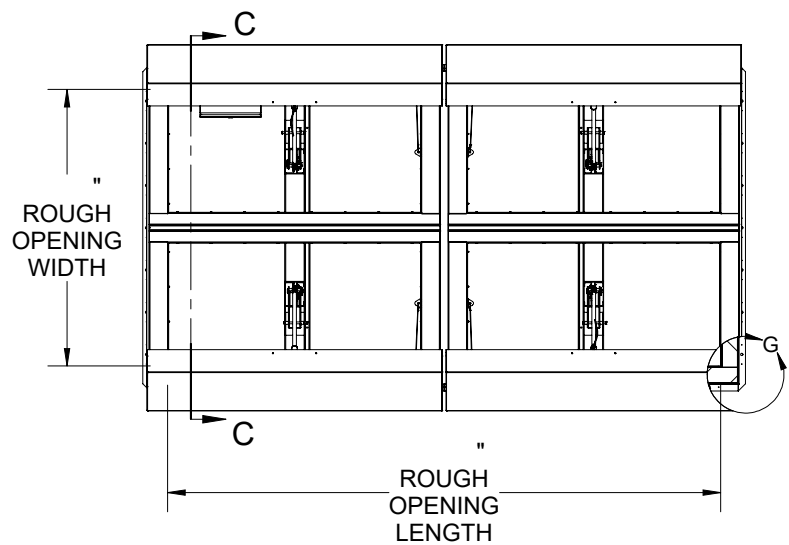


SPECIFICATIONS:

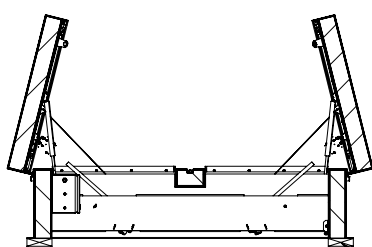
- ① **COVER:** 14 GAUGE GALVANNEAL COVER STIFFENED TO WITHSTAND A LIVE LOAD OF 40 PSF WITH A MAX DEFLECTION OF 1/150 OF THE SPAN
 - ② **LINER:** 12 GAUGE GALVANNEAL
 - ③ **CURB:** DBL WALL CURB, 12 GAUGE GALVANNEAL
 - ④ **FINISH:** COVER - POWDER COAT, HIGH REFLECTANCE WHITE EXTERIOR, BLACK INTERIOR
CURB - POWDER COAT, BLACK
 - ⑤ **GAS SPRING WITH DAMPER:** DESIGNED TO OPEN AGAINST A 10PSF SNOW LOAD IN NOT LESS THAN 2 SECONDS
 - ⑥ **HOLD OPEN ARM:** NONE
 - ⑦ **LATCH:** ZINC PLATED STEEL ROTARY LATCH ASSEMBLY
 - ⑧ **HINGES:** 304 STAINLESS STEEL BUTT HINGE WITH 1/4" PIN
 - ⑨ **INSULATION:** MINERAL WOOL W/ SOUND MAT, R-VALUE 16.8
 - ⑩ **GASKETS:** ADHESIVE BACKED EPDM RUBBER EXTRUSION ON CURB AND COVER
 - ⑪ **THERMAL RELEASE MECHANISM:** VENT COVERS OPEN THERMALLY BY HEAT AT FUSIBLE LINK TEMPERATURE
 - ⑫ **MANUAL OPERATION:** VENT COVERS OPEN WITH INTERNAL AND EXTERNAL MANUAL PULL HANDLES, 1/16" DIA SST CABLE, CLOSE VENT AT ROOFTOP OR AT THE USER PUSH BUTTON STATION
 - ⑬ **ELECTRICAL RELEASE/CONTROL:** LINEAR ACTUATORS DRIVE THE COVERS OPEN AND CLOSED, CONTROLLED BY A USER PUSH BUTTON STATION. SYSTEM CAN BE POWERED BY 115/230 VAC AT 50/60 HZ
 - ⑭ **SOUND RATING:** STC50 PER ASTM E90, OITC 47 PER ASTM E1332
- SMOKE VENT SIZE:** "(WIDTH) x "(LENGTH)

PROPRIETARY AND CONFIDENTIAL: THE INFORMATION CONTAINED IN THIS DRAWING IS THE SOLE PROPERTY OF BABCOCK-DAVIS. ANY REPRODUCTION IN PART OR AS A WHOLE WITHOUT THE WRITTEN PERMISSION OF BABCOCK-DAVIS IS PROHIBITED. ©2020 BABCOCK-DAVIS

PROJECT:				
ARCHITECT:				
CONTRACTOR:				
QTY:				
PART#:				
		TITLE: Smoke Vent, Acoustical STC50,		
		Galvn Steel, Black Pwd, Wht Pwd Cvr Ext, Dbl Wall Curb,		
9300 73rd Avenue North Brooklyn Park, MN 55428		NAME	DATE	SIZE
DRAWN				A
RELEASED				
WEIGHT: VARIES		DWG. NO. Babcock SV BSVZG_X_Q2A_L-H18 ShpDr		REV -
SHEET 1 OF 2				



DETAIL G
SCALE 1 : 10



SECTION C-C

WOOD, CONCRETE, OTHER MATERIAL FOR MOUNTING BY OTHERS (NIC)

babcockdavis			TITLE: Smoke Vent, Acoustical STC50,		
9300 73rd Avenue North Brooklyn Park, MN 55428			Galvn Steel, Black Pwd, Wht Pwd Cvr Ext, Dbl Wall Curb,		
NAME	DATE	SIZE	DWG. NO.	REV	
DRAWN		A	Babcock SV BSVZG_X_Q2A_L-H18 ShpDr	-	
RELEASED			WEIGHT: VARIES	SHEET 2 OF 2	