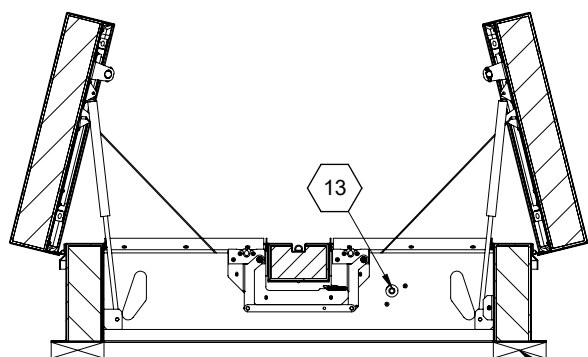


DETAIL G  
SCALE 1 : 10



SECTION C-C

WOOD, CONCRETE, OTHER MATERIAL FOR MOUNTING BY OTHERS (NIC)



9300 73rd Avenue North  
Brooklyn Park, MN 55428

TITLE: Smoke Vent, Acoustical STC50,

Galvn Steel, Black Pwd, Wht Pwd Cvr Ext, Dbl Wall Curb,

	NAME	DATE	SIZE	DWG. NO.	REV
DRAWN			A	Babcock SV BSVZG_X_D2_R ShpDr	-
RELEASED				WEIGHT: VARIES	SHEET 2 OF 2