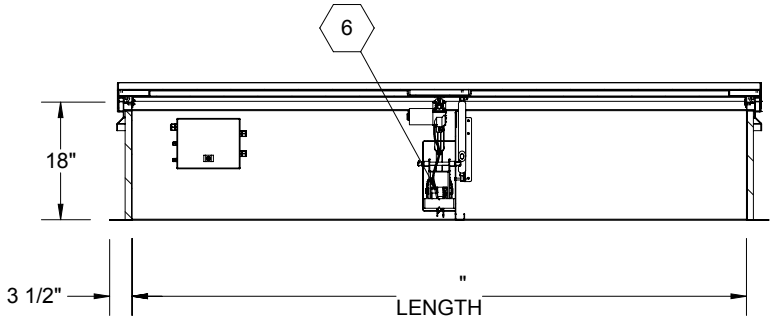
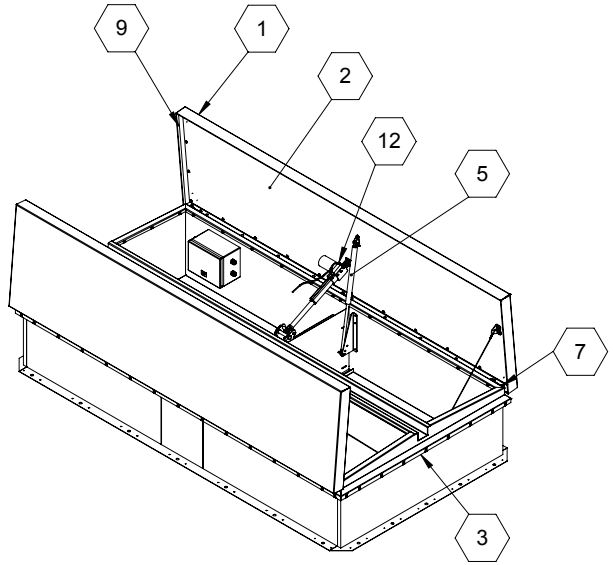


SECTION B-B



SECTION A-A




SPECIFICATIONS:

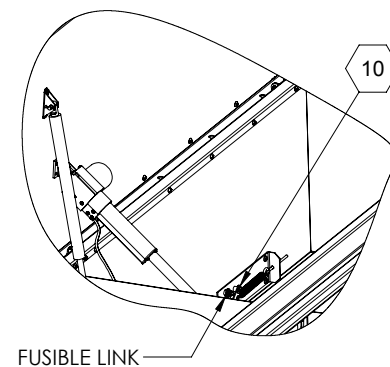
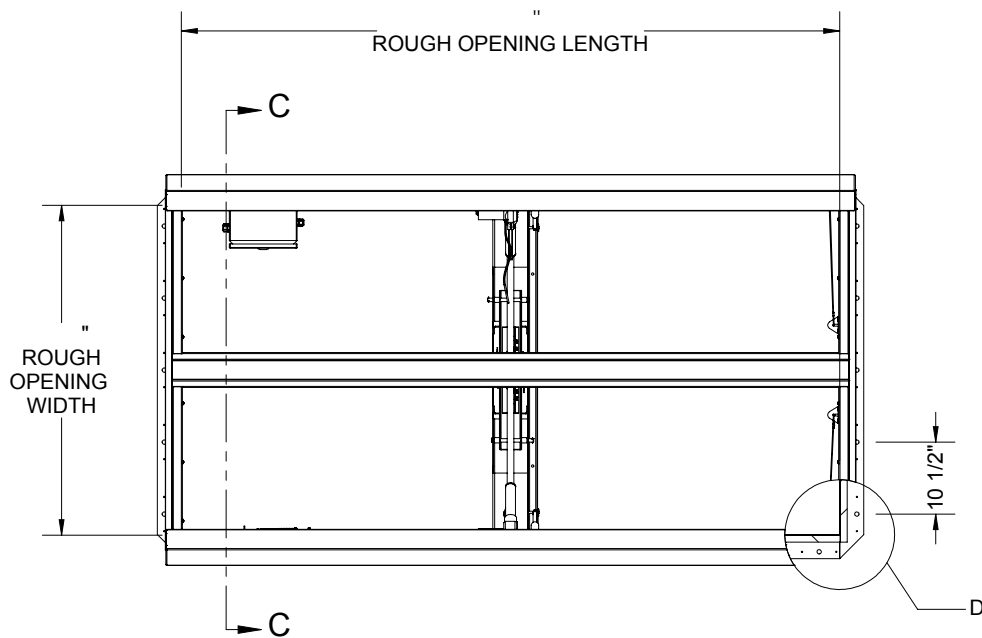
- ① **COVER:** 14 GAUGE GALVANNEAL COVER STIFFENED TO WITHSTAND A LIVE LOAD OF 40 PSF WITH A MAX DEFLECTION OF 1/150 OF THE SPAN
- ② **LINER:** 22 GAUGE GALVANNEAL
- ③ **CURB AND COUNTERFLASH W/ EZ TAB:** 14 GAUGE GALVANNEAL
- ④ **FINISH:** COVER - POWDER COAT, HIGH REFLECTANCE WHITE
CURB - POWDER COAT, HIGH REFLECTANCE WHITE
- ⑤ **GAS SPRING WITH DAMPER:** DESIGNED TO OPEN AGAINST A 10PSF SNOW LOAD IN NOT LESS THAN 2 SECONDS
- ⑥ **LATCH:** ZINC PLATED ROTARY LATCH ASSEMBLY
- ⑦ **HINGES:** ZINC PLATED STEEL WITH STAINLESS STEEL HINGE PINS

- ⑧ **INSULATION:** 1" POLYISO CURB (R6/LTTR5.6), 1" POLYISO COVER (R6/LTTR5.6)
- ⑨ **GASKET:** ADHESIVE BACKED EPDM RUBBER EXTRUSION
- ⑩ **THERMAL RELEASE MECHANISM:** VENT COVERS OPEN THERMALLY BY HEAT AT FUSIBLE LINK TEMPERATURE °F
- ⑪ **MANUAL OPERATION:** VENT COVERS OPEN WITH INTERNAL AND EXTERNAL MANUAL PULL HANDLES, 1/16" DIA SST CABLE, CLOSE VENT AT ROOFTOP OR WITH ELECTRICAL CONTROLLER
- ⑫ **ELECTRICAL RELEASE/CONTROL:** LINEAR ACTUATORS DRIVE THE COVERS OPEN AND CLOSED CONTROLLED BY A SER PUSH BUTTON STATION. SYSTEM MUST BE POWERED BY 120/240 VAC

SMOKE VENT SIZE:

PROJECT:			
ARCHITECT:			
CONTRACTOR:			
QTY:			
PART#:			
		TITLE: Smoke Vent, SafeMAX,	
		Galvn, High Reflectance White, Sngl Wall Curb	
9300 73rd Avenue North, Brooklyn Park, MN 55428			
NAME	DATE	SIZE	DWG. NO.
DRAWN	BES	A	BSVSW_X_D1A_L-H18
RELEASED	BES		WEIGHT: VARIES
			REV
			-
			SHEET 1 OF 2

PROPRIETARY AND CONFIDENTIAL: THE INFORMATION CONTAINED IN THIS DRAWING IS THE SOLE PROPERTY OF BABCOCK-DAVIS. ANY REPRODUCTION IN PART OR AS A WHOLE WITHOUT THE WRITTEN PERMISSION OF BABCOCK-DAVIS IS PROHIBITED. ©2020 BABCOCK-DAVIS



SMOKE VENT COVER OPENS WHEN ACTIVATED BY:

A. THERMAL RELEASE MECHANISM: RELEASED BY HEAT WITH A UL LISTED FUSIBLE LINK AT TEMPERATURE °F

OPTIONS: 165°F, 212°F, 280°F, 350°F, 360°F, 370°F, 386°F, 450°F

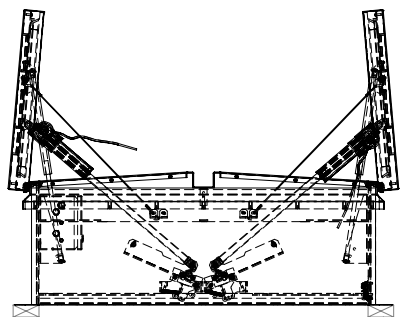
B. MANUAL OPENING: RELEASED BY EXTERNAL AND INTERNAL PULL CABLES WITH HANDLES AND 5FT OF INTERNAL CABLE PROVIDED

C. ELECTRICAL OPENING:
 i. PUSH BUTTON CONTROLLER, HOLD BUTTON TO OPEN
 ii. 24 VDC RELAY INCLUDED IN CONTROL BOX TO RECEIVE OPTIONAL SIGNAL FROM FIRE ALARM, SMOKE DETECTOR, ETC BY OTHERS

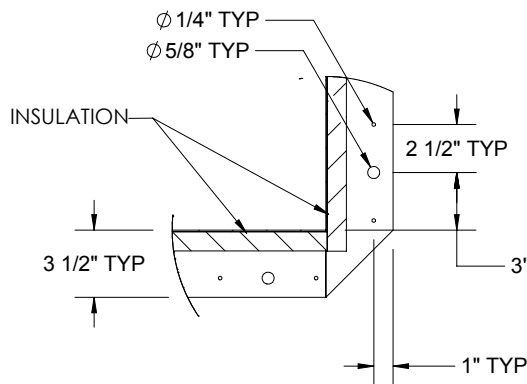
SMOKE VENT COVERS CLOSE WHEN ACTIVATED BY:

A. ELECTRICAL PUSH BUTTON CONTROLLER, HOLD BUTTON TO CLOSE

B. MANUALLY FROM ROOFTOP IF MANUALLY OR THERMALLY OPENED (AFTER THERMAL LINK IS REPLACED)



SECTION C-C



DETAIL D

			TITLE: Smoke Vent, SafeMAX, Galvn, High Reflectance White, Sngl Wall Curb		
9300 73rd Avenue North, Brooklyn Park, MN 55428					
NAME	DATE	SIZE	DWG. NO.	REV	
DRAWN	BES		A	BSVSW_X_D1A_L-H18	-
RELEASED	BES		WEIGHT: VARIES		SHEET 2 OF 2