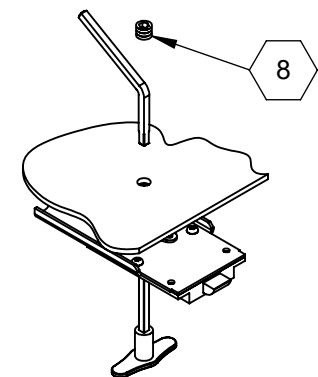
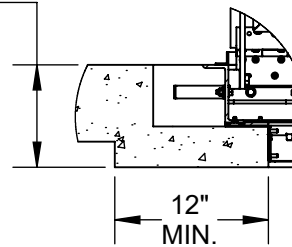


8"
MIN. DEPTH
REQUIRED TO
RETAIN 2-HOUR
RATING



**BOLT-IN
DETAIL**

**SLAM LATCH
DETAIL**

			TITLE: FD, 2hr Fire Rated, 250 psf, Sngl Dr, Alum, 1/4" Smth Plt, 1" Pan, Mill, Angle Frame, Cast-In, SST Spring Asst, 316 SST HDW, Slam Latch w/Hdl		
9300 73rd Avenue North Brooklyn Park, MN 55428			DWG. NO.	Babcock FD BFDPPA_X_SWL-P1 ShpDr	
NAME	DATE	SIZE	WEIGHT:		REV
DRAWN	BES	3/24/2021	A		
RELEASED	BES	3/24/2021			SHEET 2 OF 2

PROPRIETARY AND CONFIDENTIAL: THE INFORMATION CONTAINED IN THIS DRAWING IS THE SOLE PROPERTY OF BABCOCK-DAVIS. ANY REPRODUCTION IN PART OR AS A WHOLE WITHOUT THE WRITTEN PERMISSION OF BABCOCK-DAVIS IS PROHIBITED. ©2020 BABCOCK-DAVIS