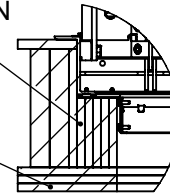
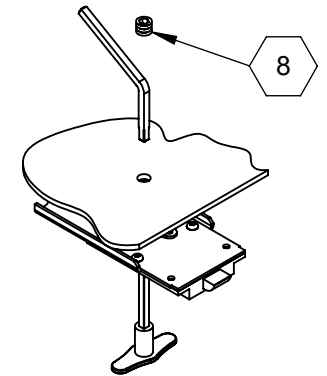


6 LAYERS GYPSUM  
REQ'D TO MAINTAIN  
FIRE RATING

3 LAYERS  
GYPSUM



**BOLT-IN  
DETAIL**



**SLAM LATCH DETAIL**

			TITLE: FD, 2hr Fire Rated, 250 psf, Sngl Dr, Alum, 1/4" Smth Plt, 1/8" Tile, Mill, Angle Frame, Bolt-In, SST Spring Asst, 316 SST HDW, Slam Latch w/Hdl		
9300 73rd Avenue North Brooklyn Park, MN 55428			DWG. NO. Babcock FD BFDPPA_X_SWL-BI-T1 ShpDr		REV
NAME BES	DATE	SIZE A	WEIGHT:		SHEET 2 OF 2