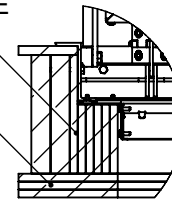
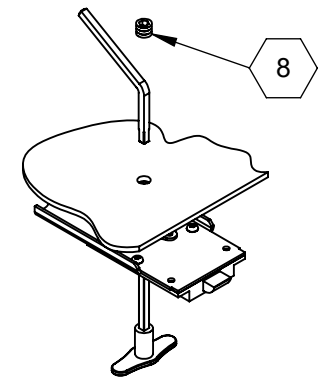


6 LAYERS GYPSUM
REQ'D TO ACHIEVE
FIRE RATING

3 LAYERS
GYPSUM



**BOLT-IN
DETAIL**



**SLAM LATCH
DETAIL**

			TITLE: FD, 2hr Fire Rated, 250 psf, Sngl Dr, Alum, 1/4" Dmd Plt, Mil, Angle Frame, Bolt-In, SST Spring Asst, 316 SST HDW, Slam Latch w/Hdl		
9300 73rd Avenue North Brooklyn Park, MN 55428			SIZE A DWG. NO. Babcock FD BFDPPA_X_SWL-BI ShpDr		
NAME	DATE	SIZE	DWG. NO.	REV	
DRAWN BES		A	Babcock FD BFDPPA_X_SWL-BI ShpDr		
RELEASED BES		WEIGHT:	SHEET 2 OF 2		