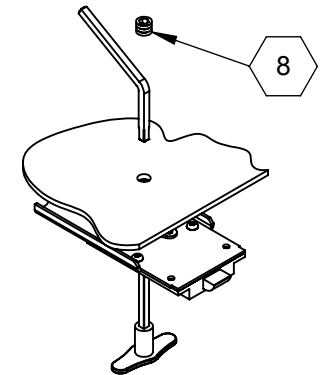


CAST IN
DETAIL



SLAM LATCH
DETAIL

			TITLE: FD, 3hr Fire Rated, 250 psf, Sngl Dr, Alum, 1/4" Dmd Plt, Mill, Angle Frame, Gray Primer, Cast-In, SST Spring Asst, 316 SST HDW, Slam Latch w/Hdl		
9300 73rd Avenue North Brooklyn Park, MN 55428			DWG. NO.	REV	
DRAWN	BES	1/07/21	A	Babcock FD BFDFFPA_X_SWL-3HR ShpDr	
RELEASED	BES	1/07/21	WEIGHT:	SHEET 2 OF 2	