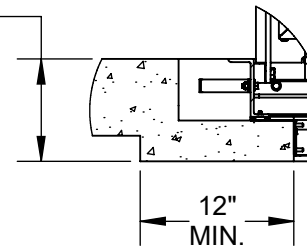
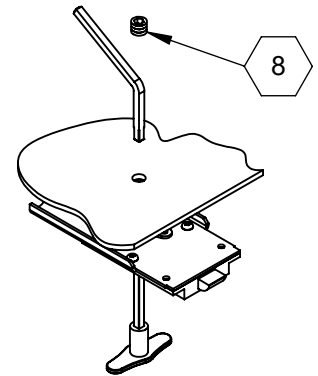


8" MIN. DEPTH REQUIRED TO RETAIN FIRE RATING



CAST-IN DETAIL

SLAM LATCH DETAIL



			TITLE: FD, 2hr Fire Rated, 150 psf, Sngl Dr, Alum, 1/4" Dmd Plt, Mill, Angle Frame, Gray Primer, Cast-In, SST Spring Asst, 316 SST HDW, Slam Latch w/Hdl		
9300 73rd Avenue North Brooklyn Park, MN 55428			DWG. NO. Babcock FD BFDFLA_X_SWL ShpDr		
NAME	DATE	SIZE	WEIGHT:		REV
DRAWN	BES	A			
RELEASED	BES				