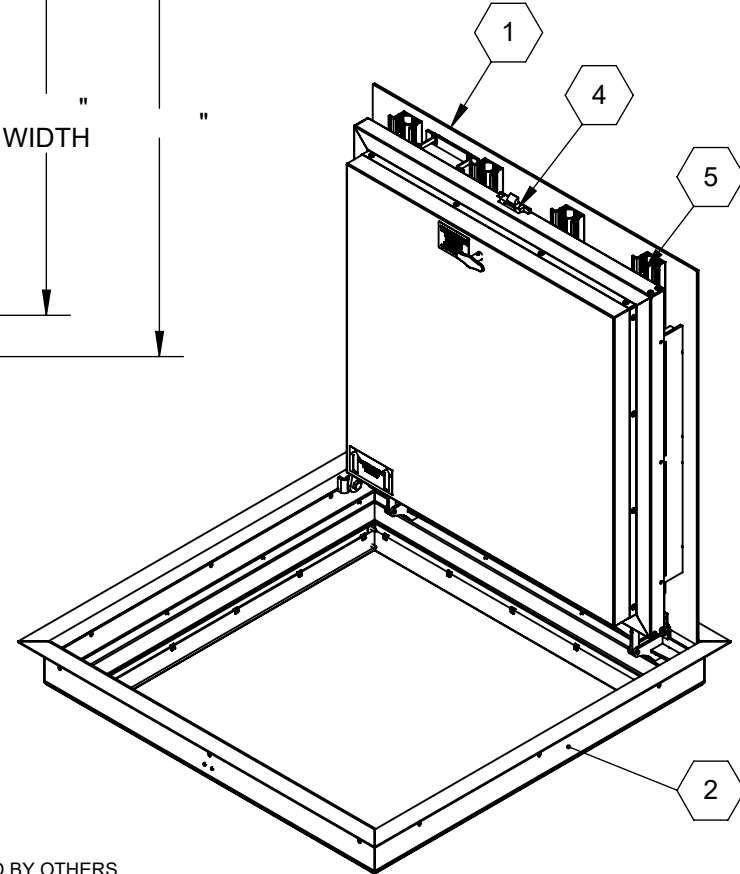
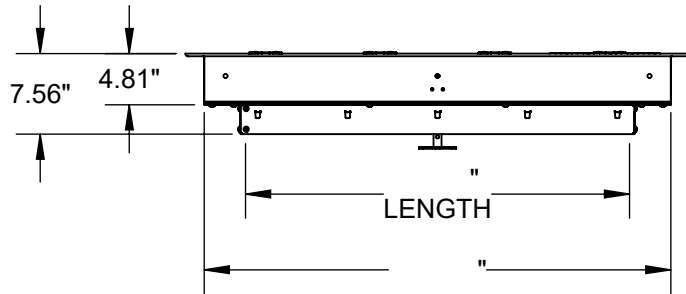
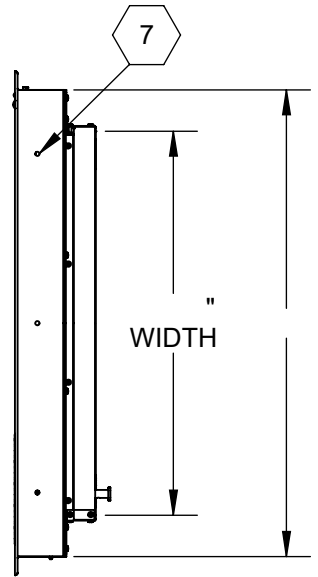
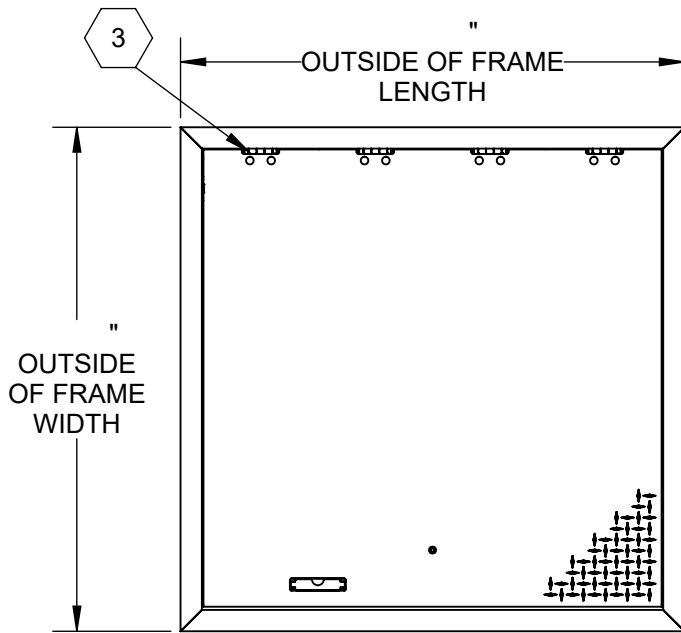


B

B



A

A

SPECIFICATIONS:

- ① **DOOR:**
ALUMINUM 1/4" DIAMOND PLATE, MILL FINISH WITH A LIVE LOAD OF 150PSF WITH A MAX SPAN DEFLECTION OF L/150
- ② **FRAME:**
ALUMINUM, 1/4" EXTRUSION, GRAY PRIMER FINISH ON EXTERIOR SURFACES THAT COME INTO CONTACT WITH CONCRETE
- ③ **HINGES:** TYPE 316 STAINLESS STEEL
- ④ **SLAM LATCH:**
ZINC-PLATED STEEL WITH INSIDE HANDLE MECHANISM AND OUTSIDE REMOVABLE HANDLE
- ⑤ **COUNTER-BALANCE SPRING:**
ENCLOSED, TYPE 17-7 SST SPRING
- ⑥ **HOLD-OPEN ARM:** TYPE 316 STAINLESS STEEL
OPTIONAL SELF-CLOSING MECHANISM

- ⑦ **ANCHOR:** 3/8" HOLES PROVIDED, BOLTS SUPPLIED BY OTHERS
- ⑧ **PLUG SEAL:** TYPE 316 STAINLESS STEEL

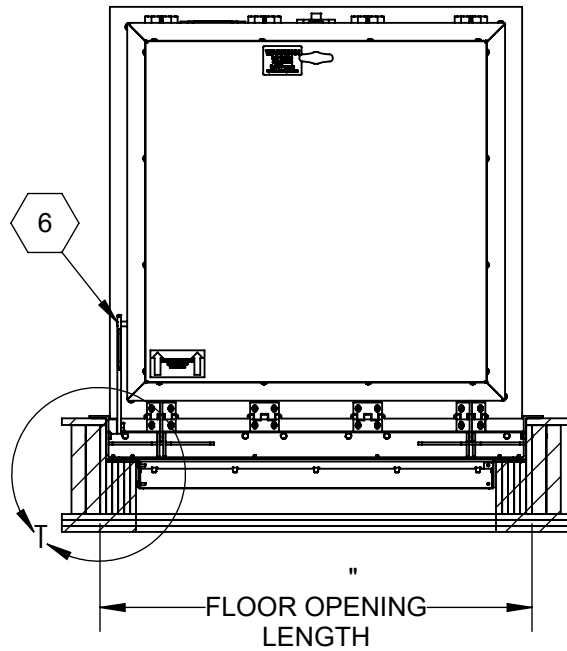
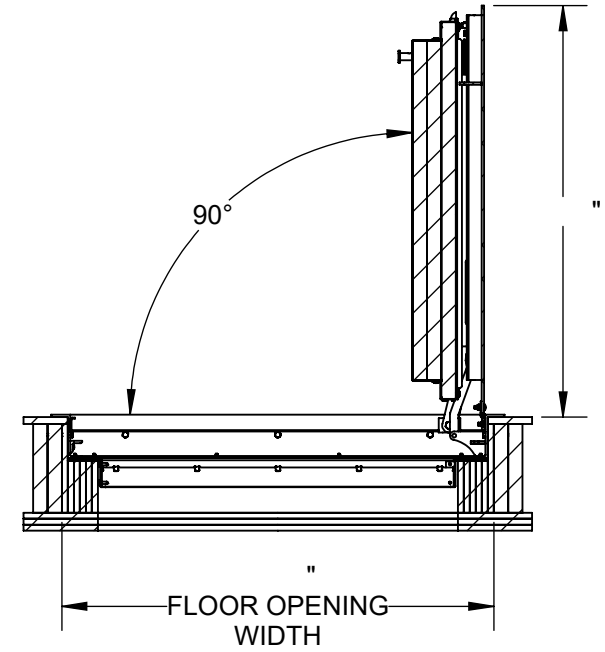
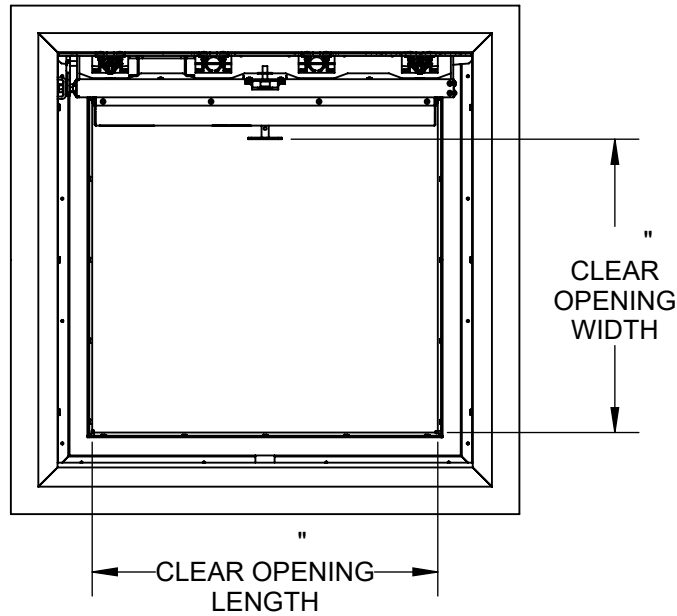
CERTIFICATION: 2-HOUR FIRE RATED, WARNOCK HERSEY LABELED AND TESTED TO NFPA 288: STD METHODS OF FIRE TEST OF HORIZONTAL FIRE DOOR ASSEMBLIES. MAX TEMPERATURE RISE OF 250F.

APPLICATION NOTE: FLOOR DOOR MUST BE KEPT DRY BEFORE, DURING, AND AFTER INSTALLATION. FOR DRY, INTERIOR INSTALLATION ONLY. NOT INTENDED FOR EXTERIOR OR HUMID ENVIRONMENTS

FLOOR DOOR SIZE:

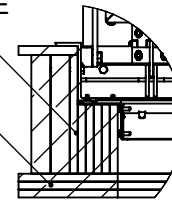
PROJECT:				
ARCHITECT:				
CONTRACTOR:				
QTY:				
PART#:				
babcockdavis	TITLE: FD, 2hr Fire Rated, 150 psf, Sngl Dr, Alum, 1/4" Dmd Plt, Mill, Angle Frame, Bolt-In, SST Spring Asst, 316 SST HDW, Slam Latch w/Hdl			
9300 73rd Avenue North Brooklyn Park, MN 55428				
NAME	DATE	SIZE	DWG. NO.	REV
DRAWN	BES		A	Babcock FD BFDFLA_X_SWL-BI ShpDr
RELEASED	BES		WEIGHT:	SHEET 1 OF 2

PROPRIETARY AND CONFIDENTIAL: THE INFORMATION CONTAINED IN THIS DRAWING IS THE SOLE PROPERTY OF BABCOCK-DAVIS. ANY REPRODUCTION IN PART OR AS A WHOLE WITHOUT THE WRITTEN PERMISSION OF BABCOCK-DAVIS IS PROHIBITED. ©2020 BABCOCK-DAVIS

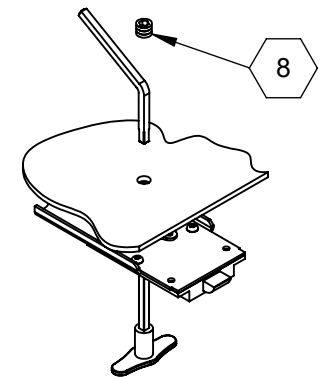


6 LAYERS GYPSUM
REQ'D TO ACHIEVE
FIRE RATING

3 LAYERS
GYPSUM



**BOLT-IN
DETAIL**



SLAM LATCH DETAIL

			TITLE: FD, 2hr Fire Rated, 150 psf, Sngl Dr, Alum, 1/4" Dmd Plt, Mil, Angle Frame, Bolt-In, SST Spring Asst, 316 SST HDW, Slam Latch w/Hdl		
9300 73rd Avenue North Brooklyn Park, MN 55428			DWG. NO. Babcock FD BFDFLA_X_SWL-BI ShpDr		
DRAWN RELEASED	BES BES	DATE SIZE A	WEIGHT:	SHEET 2 OF 2	