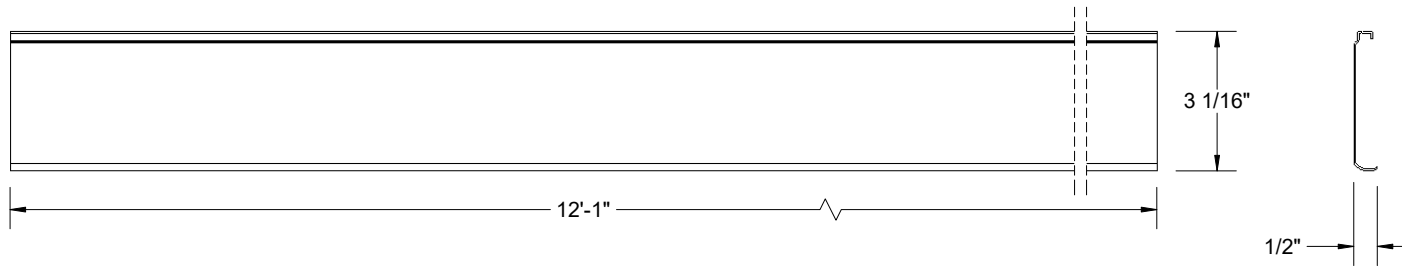
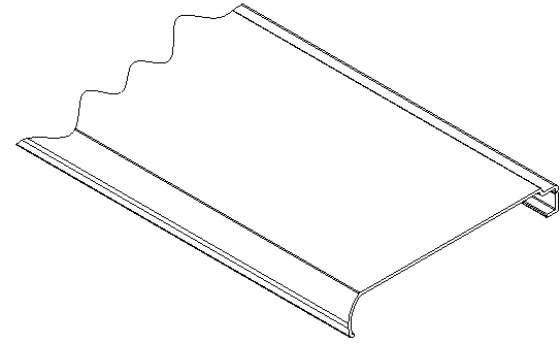



NOSING GUARD INSTALLED



**SPECIFICATIONS:**

- 1. **MATERIAL:** EXTRUDED PVC, BLACK, .040 THICK
- 2. **BASE FINISH:** STAIR NOSING GUARD DESIGNED TO COVER STAIR NOSING MODELS BSTSB-P3E/P3D AND BSTSM-P3E/P3D

PROJECT:			
ARCHITECT:			
CONTRACTOR:			
QTY:			
PART#:		<b>BSTSNG-P3E</b>	
 9300 73rd Avenue North Brooklyn Park, MN 55428		TITLE:	
		Construction Cover P3E Extrust 12'-1" Long Exterior Rigid PVC Black	
NAME	DATE	SIZE	DWG. NO.
DRAWN	DKL	9/1/21	A
RELEASED	TW	9/1/21	WEIGHT:
			REV
SHEET 1 OF 1			A