

# AcousticMAX™

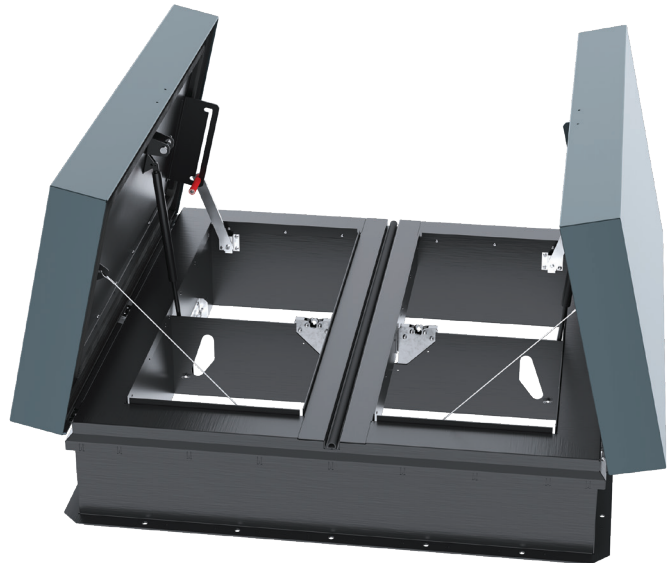
## SMOKE VENT

Block the intrusion of exterior environmental noise while providing safety and security with the industry's best automatic Acoustical Smoke Vent. Perfect for theaters and performing arts centers; every detail is designed with precision.

### FEATURES

**SUPERIOR SOUND CONTROL** Industry's best sound ratings designed to keep out unwanted noises ensuring acoustical integrity when all you want to hear is the performance.

**PREFINISHED BLACK INTERIOR** Eliminate field painting hassle with the prefinished interior that seamlessly integrates into the ceiling.



### DETAILS

**SOUND RATING(S)** Independent third party tested to ASTM E90 and ASTM E1332

- BSVZ: STC 50 - OITC 47
- ISO 140-18 Rainfall 36.7 dB
- BSVY: STC 50 - OITC 39

#### MATERIAL

- BSVZ 12 gauge galvaneal steel; powder coat
- BSVY 14 gauge galvaneal steel; powder coat

**FINISH** High Reflectance White exterior cover with black interior liner and black curb

**COVER** Metal with liner, withstands a live load of 40psf with a max deflection of 1/150 the span

**CURB** Double wall curb with EZ tab counterflash and mounting flange

**INSULATION** Mineral wool and sound mat in cover and curb

- BSVZ: Total R-16.8
- BSVY: Total R-12.6

**GASKET** Extruded EPDM adhesive backed gasket seals

**HINGE** Stainless steel heavy duty pintle hinge

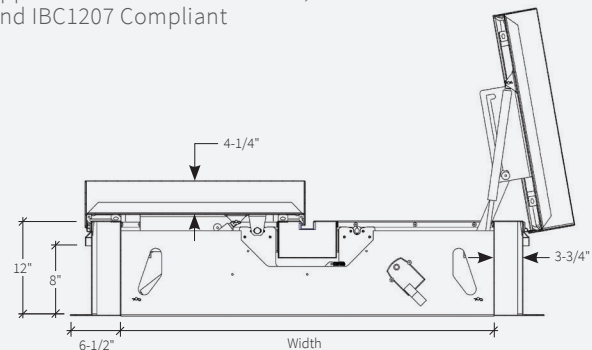
**SPRING** Gas spring with damper opens cover against 10psf snow load

**HOLD OPEN ARM** Zinc-plated steel automatic hold open arm locks cover in open position

**LATCH** Zinc-plated steel rotary latch designed to hold covers closed against 90psf wind uplift

**OPERATION** Opens automatically with a fusible link and manual pull handles

**CERTIFICATIONS** UL 793 Listed, FM 4430 Approved for 360° fuseable link, and IBC1207 Compliant



### ORDER GUIDE

BASE	RATING	MATERIAL	WIDTH	X	LENGTH	DOOR	CURB	OPENING	LINK TEMP (°F)	CLOSING	—	OPTIONS
<b>BSV</b>		<b>G</b>		<b>X</b>							—	
	<b>Z</b> STC 50 - OITC 47 <b>Y</b> STC 50 - OITC 39	<b>G</b> Galvaneal Steel	<b>Standard Sizes (W x L)</b> 48" x 48" 48" x 72" 48" x 96" 60" x 60" 60" x 96" 60" x 120" 72" x 72" 72" x 96" <i>Additional size options also available.</i>			<b>D</b> Double Door <b>Q</b> Quad Door	<b>2</b> Double Wall <b>3</b> Curb Mount	<b>N</b> No Electrical <b>L</b> 24VDC/24VAC <b>H</b> 110VAC / 240VAC <b>A</b> Linear Actuator*	<b>165 350</b> <b>212 360</b> <b>280 450</b>	<b>R</b> Rooftop Close <b>W</b> Manual Winch <b>L</b> Linear Actuator*		<b>SFM</b> FM Labeled <b>OP1</b> Door Position Sensor <b>B</b> Burglar Bars
										*Voids UL		