

ACOUSTIMAX™ SMOKE VENT

Model(s): BSVZ/BSVY

GENERAL DESCRIPTION



Acoustical smoke vents are designed to open automatically to provide emergency smoke and heat ventilation. Prompt venting during fire emergencies is essential for the safe evacuation of occupants and for effective fire-fighting conditions within a building. The smoke vent is not intended for use as general-purpose building ventilation devices. International Building Code (IBC) requires smoke venting in a variety of applications including Section 410 for stages and platforms, Section 910 for factory and storage occupancies.

Acoustical smoke vents are primarily used in theaters and performing arts centers because they block the intrusion of exterior environmental noise. Acoustical smoke vents provide both sound control and thermal performance. The SVZ has STC50/OITC 47 and ISO 140-18 Rainfall 36.7 dB sound ratings. The SVY has STC50/OITC 39 sound ratings.

The AcousticMAX sound rated series meets International Building Code IBC 1207 sound transmission class requirements and is used in high end theater applications as well as in building applications where condensation is a concern.

Sound transmission is tested by an independent lab accredited by the U.S. Department of Commerce and the National Institute of Standards and Technology for conducting official acoustical test procedures for sound transmission class (STC), Outdoor-Indoor Transmission Class (OITC), and Sound Insulation of Building Elements (rainfall dB) according to the following tests:

- ASTM E90 Laboratory Measurement of Airborne Sound Transmission of Building Partitions
- ASTM E1332 Standard Classification for Determination of Outdoor-Indoor Transmission Class
- ISO 140 Acoustics Laboratory Measurement of Sound Insulation of Building Elements

Great Products. Better Partners.

Babcock-Davis is a leader in roof hatches, smoke vents and safety railings for the commercial roofing market. We also manufacture architectural access and safety-related building products for commercial structures. Babcock-Davis provides local connections through a broad distribution network to accelerate and simplify the building process for contractors and building owners, offering hassle-free services including access to technical experts, REVIT tools for BIM, HPDs for LEED v4, 3-part specifications and AIA-accredited continuing education courses.

Introduction + Safety

GENERAL SAFETY PRECAUTIONS Improper selection, installation, or use can cause personal injury or property damage. It is solely the responsibility of the user, through their own analysis, to select products suitable to the specific application requirements, ensure proper maintenance and use as intended. Follow local, state, and federal regulations for proper installation and operation requirements.

Please read the complete instructions carefully before beginning any work. To ensure proper installation and performance of the product, the following actions must be completed by the installing contractor. Failure to do so will affect product warranty.

Transportation + Storage

- Inspect all shipments and materials for missing or damaged components and hardware.
- Material must be stored in a clean, dry location.

Preparation

- Locate the packing slip(s) and/or shop drawings.
- Verify that all products listed on the packing slip are included in the package.
- Check the products for damage. If products are damaged, report a freight claim immediately and leave the products in their packaging. If you sign for products without reporting damage you waive your right to a freight claim and will be responsible for their replacement cost.
- Read the instructions thoroughly before beginning installation.

INSTALLATION

The following is a general instruction for installing, operating and maintaining smoke vent products. These are recommended general guidelines only. Locally accepted roofing and sealing practices and procedures should be followed as appropriate for the different roofing systems. This product may be installed on a flat or sloping roof. When installed on a slope up to 7:12 pitch (30°), the hinge side must run parallel with the slope. *CAUTION: Smoke Vent Doors Are Under Spring Pressure.*

1. Ensure that the roof mounting surface is level to avoid twisting of the smoke vent base. It is essential that the vents are installed level and square for the door to make a proper seal. Place the smoke vent over the existing opening in the roof that has been prepared with appropriate roofing membrane, if applicable.
 - a. The roof rough opening dimensions are equal to the vent dimensions as measured from the inside curb to inside curb. For example, a 48" x 96" smoke vent will have a rough opening of 48" by 96".

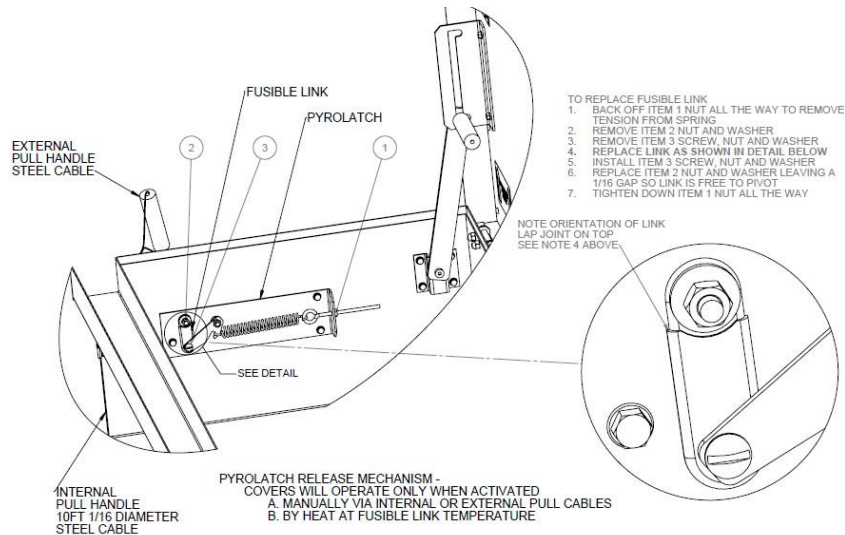
2. The smoke vent curb flange comes with two (2) types of mounting holes to accommodate the following fastening methods:
 - a. Mark the predrilled 5/8" diameter holes from the mounting flange through to the roof deck or a concrete curb. Drill roof deck or concrete curb for installation of anchors or other fasteners (provided by others). Bolt or otherwise fasten roof hatch curb flange to roof deck using 3/8" or 1/2" bolts with washers.
 - b. Mark the predrilled 3/16" diameter holes from the mounting flange through to the roof deck, typically into a built-up wood frame curb. Fasten roof hatch curb flange to framing using roofing nails and/or screws, recommended size #10 by 1-1/4" long.
3. Install roofing material up to and around the roof curb and under the counterflashing using appropriate roofing material and locally accepted processes. Ensure all joints are full sealed to provide a weather tight seal.
4. Finally, to check operation, open the smoke vent doors by pulling the exterior manual pull handle. Closing the doors may require two people to ensure proper latch engagement.

OPERATION

- Vents are designed and built for years of dependable service. Smoke vents do not require field painting. If field painted, all component parts must be masked, especially moving parts and all labels. Field painted component parts will void the warranty.
- Latch: Positive hold rotary latches are designed to hold the covers closed.
- Gas Spring/Damper: Provides force to automatically open covers.
- Hold Open Arm: Automatic hold open arm engages to keep doors locked open when released. Pull the red vinyl grip handle forward to disengage while safely closing the door(s).
- Link: Fusible melt out links are replaceable (SV-KIT-LINK-165, SV-KIT-LINK-280, etc.)

Smoke vents are designed to open manually via pull handles located on the exterior and interior of the smoke vent. The internal pull cable can be extended and rigged down to the floor level to assist with emergency vent opening.

1. Smoke vents are designed to open thermally when a UL listed fusible link melts at temperatures of 165° F, 212° F, 280° F, 350° F, 360° F, 370° F, 386° F or 450° F. Fusible links are easily accessed from the roof for replacement, as detailed.

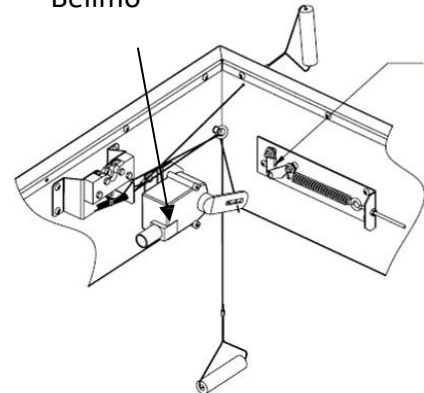


2. OPTION: Electrical Belimo Actuator

Smoke vents can include an option to open electrically with a low voltage (24VDC/AC) or High Voltage (110VAC/220VAC) at 2.5Watt signal. The electrical option is ideal to coordinate vent opening with a fire alarm, smoke detector, sprinkler system or other.

Smoke vent covers are closed manually from the exterior roof top level. Make sure to disengage the hold open arm prior to closing the doors.

Belimo



Acceptance Testing

An acceptance performance test and inspection of all vents shall be immediately conducted following installation to establish that all operating mechanism functions properly. Vents should be operated in accordance with the authority having jurisdiction (AHJ).

Test for proper operation using one or more of the following methods.

1. Manual pull handles: Pull the manual pull handle from the exterior of the smoke vent. Pull the internal manual pull handle if it has been routed down to the floor level.
2. Fusible link: Melt the fusible link from the inside at the smoke level using a hand-held propane tank torch. Make sure to have replaceable fusible links on hand to reset the latch and close the doors. An alternative method is to remove the fusible link to simulate melting to verify that the smoke vent would indeed open.
3. Optional electrical Belimo actuator: Send an electrical signal from the fire alarm, push button control, or other to validate electrical fire system performance.

MAINTENANCE

- Manually operate vents once a year to inspect, maintain, and replace components as necessary.
- Inspect fusible links for evidence of corrosion, stress/strain or build up. Clean or replace as required.
- Nonmoving parts may be cleaned with a mild soap or dishwashing detergent and water solution.
- Gaskets should be washed with a clean, damp, lint-free cloth. Do not apply mineral oils vinyl dressings, or other lubricants to the gasket as they can cause the gasket to break down over time.

Fusible link ambient temperature rating

The fusible link should be specified with a temperature rating greater than the maximum ambient exposure temperature that will be seen at the installation.

For example, an “ordinary” fusible link rated at 165 degrees F has a maximum ambient exposure temperature rating of 100 degrees F. If this fusible link is routinely exposed to ambient temperatures over 100 degrees F, it is liable to separate. Select a fusible link rated at 212 degrees F (or greater) for this type of application. See table below to find a fusible link temperature range compatible with an expected or measured ambient temperature. This is in accordance with UL guidelines.

Temperature classification	Temperature ratings		Maximum ambient temperature	
	Degrees F	(Degrees C)	Degrees F	(Degrees C)
Low	125 – 130	(51 – 54)	90	(32)
Ordinary	135 – 170	(57 – 77)	100	(38)
Intermediate	175 – 225	(79 – 107)	150	(66)
High	250 – 300	(121 – 149)	225	(107)
Extra high	325 – 375	(163 – 191)	300	(149)
Very extra high	400 – 475	(204 – 246)	375	(191)
Ultra high	500 – 575	(260 – 302)	475	(246)

If there are any questions during the installation, operation, or maintenance of smoke vents, please call 800-547-2635 toll-free.

OVERVIEW – MANUAL WINCH OPTION

Smoke vents with manual winch remote operation provide the additional convenience of opening and closing the smoke vents from a remote location, such as the catwalk or floor level.

Manual Winch Operation

Open Smoke Vent with Manual Winch

1. Pull manual release cable to release the rotary latch in the smoke vent.
2. Unwind manual winch to fully open smoke vent doors.

Close Smoke Vent with Manual Winch

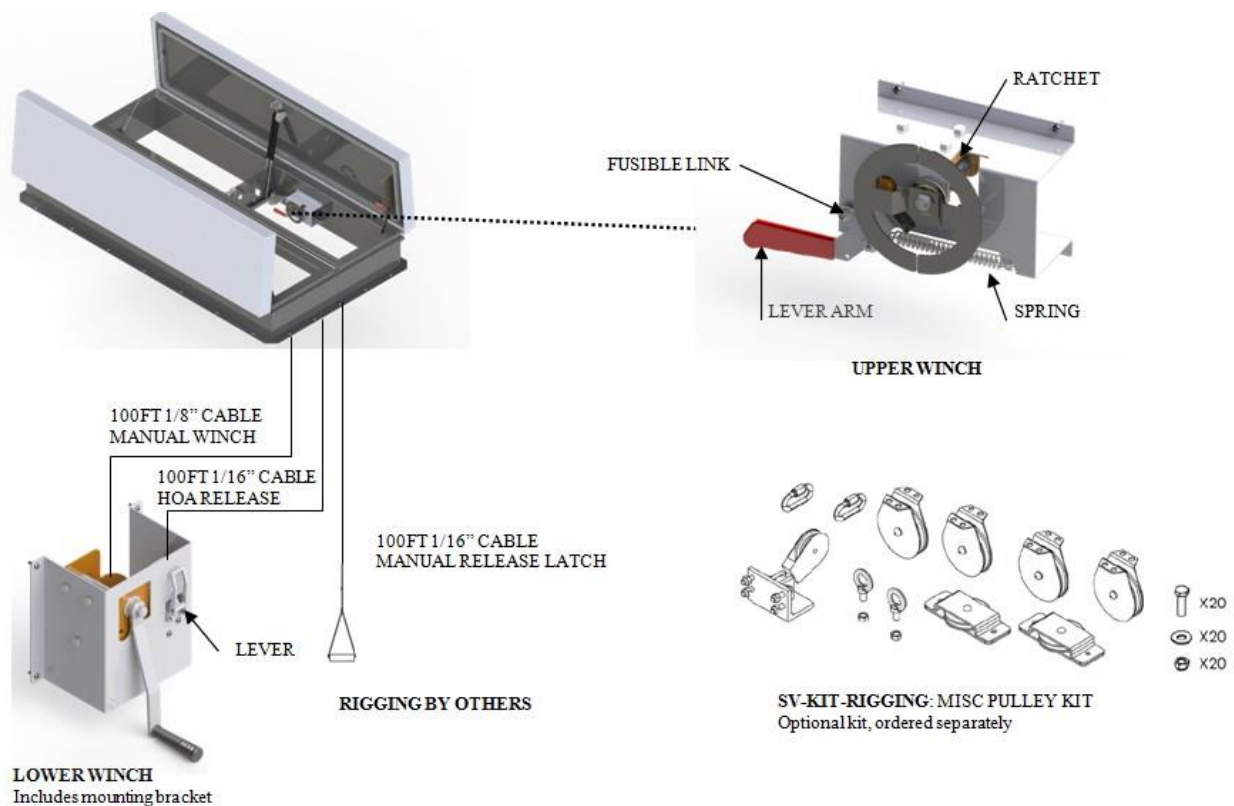
1. Move lever to the downward position to disengage the locking hold open arm.
2. Wind the manual winch till the vent rotary latches engage to secure covers closed.
3. Return the lever to the upward position.

Smoke vent covers also open when activated by the following methods: *Reset at roof level is required.*

- Thermal: Release by heat with fusible link
- Manual at roof: Pull external manual release cable
- Optional electrical: Released by a 2.5W Belimo actuator when energized to 24V or 110V

Reset at Roof Level

1. Feed out a minimum of 14' of cable at lower winch to create slack.
2. At upper winch, remove spent fusible link from the system by removing the retaining lock nuts. Reseat the spring attached to the lever arm to the winch housing. Pull the lever arm up, bring the two screws close enough to set the new fusible link in place and secure with the retaining lock nuts. (Only if thermally released)
3. Flip the ratchet at upper winch up to the engaged position.
4. Wind upper winch until the cable is taught.
5. The thermal release is now reset. Vent can be winched closed by lower winch.



Installation Instructions for Manual Winch

1. Once the smoke vent has been roofed in and is fully installed the manual winch option can be set up to operate the doors to open and close.
2. Determine the desired location for the floor level winch (shipped loose) and mount it to a suitable structure.

3. Rig the 1/8" manual winch cable, 1/16" HOA cable, and 1/16" manual release cable down to the floor level winch. (*All three cables should be coiled on the interior side of the unit*)
4. Attach and wind the 1/8" cable taught onto the floor level winch. **See Figure A.**

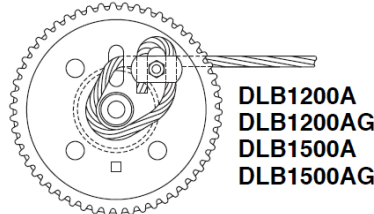
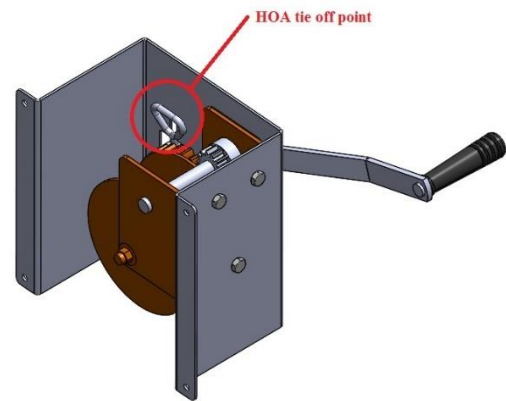


Figure A – Cable Termination for Floor Winch

5. Open the smoke vent by pulling the interior manual release (now rigged to a location near the floor winch) and unwind the manual winch to the fully open position.
6. Place the lever on the floor winch in the downward position and tie the 1/16" HOA cable to the HOA tie-off point of the lever. Ensure the cable is taught.

(IMPORTANT: this cable is required to disengage the hold open arms, if it is not installed prior to closing the smoke vent with the manual winch the unit will be damaged during the operation, UL 793 requires the inclusion of the hold open arms as the doors are required to lock into the open position.)



7. To ensure the HOA cable was correctly fastened, with the lever in the downward position, wind the winch slowly to begin closing the doors. If the doors close the HOA cable has been properly secured. If the doors only close slightly and the force required to wind the winch increases greatly, the HOA cable has not been secured tight enough and the operator should cease winding as continued operation could result in damage to the unit. If the HOA cable has not been secured tight enough, detach and reattach it tighter than it was previously.
8. Once the HOA cable has been confirmed to be securely fastened the smoke vent can be winched closed and the installation of the Manual Winch option is complete.

OVERVIEW

Smoke vents with linear actuators are designed to conveniently open and close smoke vents remotely with a push button controller. The system is comprised of linear actuators (one per cover), a control box mounted to the inside of the smoke vent curb, a 2 position (open, close) push button station.

These smoke vents are also designed to open automatically without power in the event of a fire emergency. Smoke vents open thermally when heat parts a fusible link and they also open manually with both internal and external manual pull handles.

Linear Actuator Smoke Vent Modes of Operation

Open Smoke Vents

1. *Manual: Pull manual release cable (exterior or interior) to release the actuator latch and open vents
2. *Thermal: Fusible link melts to release the actuator latch and open vents. A new link is required.

**If smoke vent is opened manually or thermally, the linear actuator must be reset and securely re-latched to curb. This is accomplished by electrically opening to fully extend the linear actuator so that the rotary latch engages.*

3. Electrical Open with Controller:
 - a. Push OPEN button on controller, continuously hold until both doors stop moving
4. Electrical Open with signal (by others)
 - a. Wire a 24VDC signal from a fire alarm, smoke detector, etc. into the control box at the smoke vent level.

Close Smoke Vent

1. Electrical Close:
 - a. Push CLOSE button on controller, continuously hold until door limit stops motion.
 - b. Rotate the toggle switch to other door (A or B).
 - c. Continuously push “Close” button on controller until door limit stops motion.



User Operation	Execution	Reset?
Open using push button station	User depresses the open button until both doors fully	no
Close using push button station	User depresses the close button until both doors fully close.	no
*Open using interior manual pull	User pulls the interior manual pull handle.	yes
*Open using exterior manual pull	User pulls the exterior manual pull handle.	yes
*Thermally	Fusible link melts at listed temperature (160-520F).	yes
Open with 24V Signal (fire alarm)	Optional signal sent from fire alarm, smoke detector, etc. by others.	no
Reset	Push and hold the Open button on the control button station until the actuators back into the rotary latches.	n/a

***EMERGENCY OPERATION, releasing the actuator from the rotary latched pivot point**

Input	Operation
User presses and holds the open button.	Controller checks to ensure the open position internal limit switch for actuator is not closed, if not the controller will drive the actuator to extend until the user releases the open button or the open position internal limit switch for actuator closes. Works individually for each actuator.
User presses and holds the close button.	Controller checks to ensure the close position internal limit switch for actuator is not closed, if not the controller will drive the actuator to collapse until the user releases the close button or the close position internal limit switch for actuator closes. Works individually for each actuator.
Fire alarm tie-in sends a constant signal to the 24V relay in control box when the fire alarm is tripped	The controller will drive each actuator until the open position internal limit switch for each actuator closes or until the timer finishes. Drives both actuators simultaneously.

QUESTIONS?

For more information on installation, repair, or replacement, please contact Customer & Sales Support at 800-547-2635 or visit babcockdavis.com