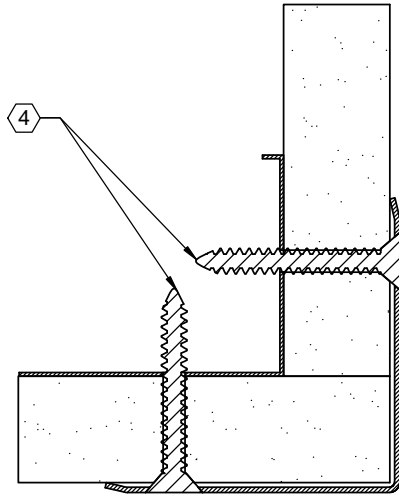
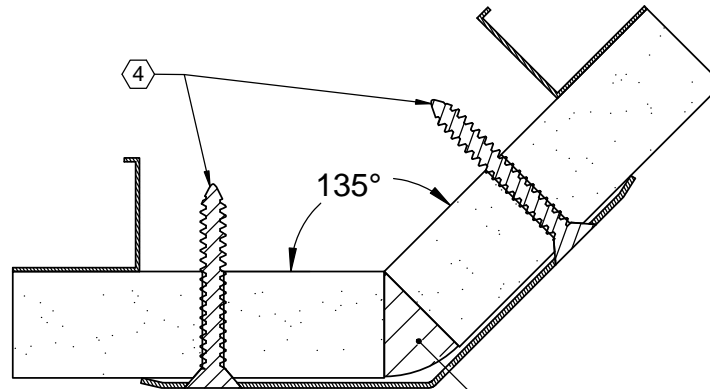


# BCGSS, TYPE 304 STAINLESS STEEL BCGTS, TYPE 430 STAINLESS STEEL



SPECIFY WING SIZE  
MINIMUM 1" [25.4mm]



SPECIFY WING SIZE  
MINIMUM 1" [25.4mm]

WING SIZE	HEIGHT	QTY	ANGLE

### NOTES:

- 1. MECHANICALLY FASTENED APPLICATION.
- 2. MATERIAL: TYPE 304 (BCGSS) OR TYPE 430 (BCGTS) STAINLESS STEEL, 16 GAUGE WITH ROUNDED EDGES.
- 3. FINISH: SATIN #4 WITH REMOVABLE PROTECTIVE COATING.
- 4. #6 X 1-1/2" STAINLESS STEEL FLAT HEAD TAPPING SCREW 16" [400mm] O.C. MAX, INCLUDED.
- 5. QUICK SETTING JOINT COMPOUND BY OTHERS.
- 6. AVAILABLE IN 90° AND 135° (STANDARD). CUSTOM ANGLES AVAILABLE, MINIMUM 22°.
- 7. CONTINUOUS LENGTHS AVAILABLE 10' MAXIMUM.
- 8. EMBOSSED PATTERNS AVAILABLE IN 304 STAINLESS STEEL ONLY. GAUGE AND LENGTH MAY VARY DEPENDING ON PATTERN.
- 9. PARTITION COMPONENTS BY OTHERS.

PROPRIETARY AND CONFIDENTIAL: THE INFORMATION CONTAINED IN THIS DRAWING IS THE SOLE PROPERTY OF BABCOCK-DAVIS. ANY REPRODUCTION IN PART OR AS A WHOLE WITHOUT THE WRITTEN PERMISSION OF BABCOCK-DAVIS IS PROHIBITED.

PROJECT:					
ARCHITECT:					
CONTRACTOR:					
 9300 73rd Avenue North Brooklyn Park, MN 55428		TITLE:			
		STAINLESS STEEL CORNER GUARD, TYPE 304 OR 430, 16 GA, SURFACE MOUNT, COUNTERSINK DRILLED			
NAME	DATE	SIZE	DWG. NO.	REV	
DRAWN	DKL	9/30/12	A	BCG-SST-GENERAL-CSDRILLED	A
RELEASED	PGE	10/22/12	WEIGHT: VARIES	SHEET 1 OF 1	