

VINYL BUMPER GUARD

Model(s): BBGV-P

GENERAL DESCRIPTION



Standard bumper guards are designed with rounded, full-length vinyl covers and continuous retainers. Meets national building code standards.

Introduction + Safety

Please read the complete instructions carefully before beginning any work. To ensure proper installation and performance of the Roof Hatch, the following actions must be completed by the installing contractor. Failure to do so will affect product warranty.

GENERAL SAFETY PRECAUTIONS Improper selection, installation, or use can cause personal injury or property damage. It is solely the responsibility of the user, through its own analysis to select products suitable for their specific application requirements, ensure they are properly maintained, and limit their use to its intended purpose. Follow proper local, state and federal regulations for proper installation and operation requirements.

Transportation + Storage

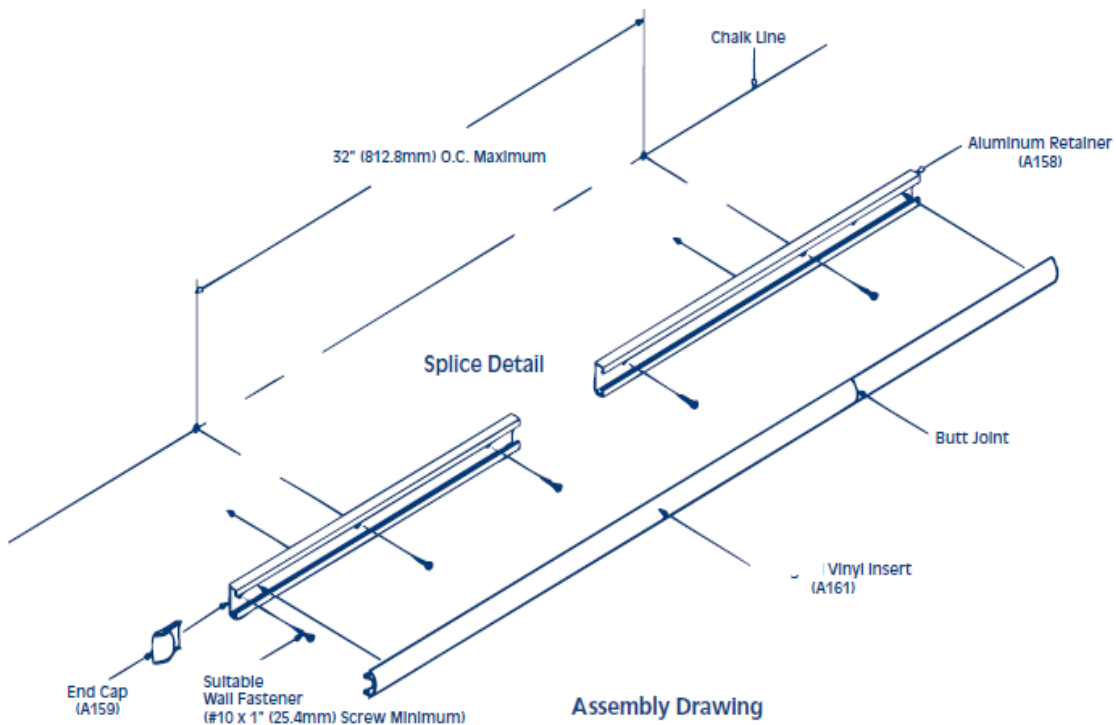
- Inspect all shipments and materials for missing or damaged components and hardware.
- Material must be stored in a clean, dry location.

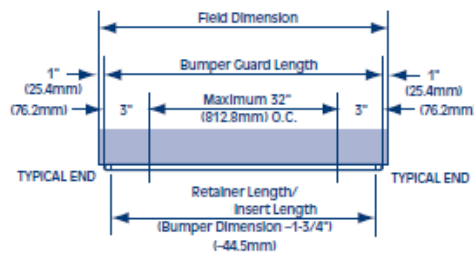
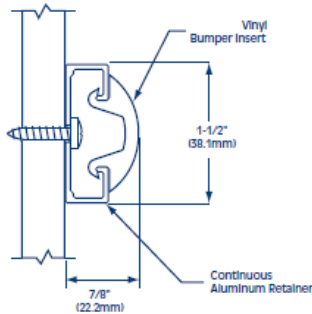
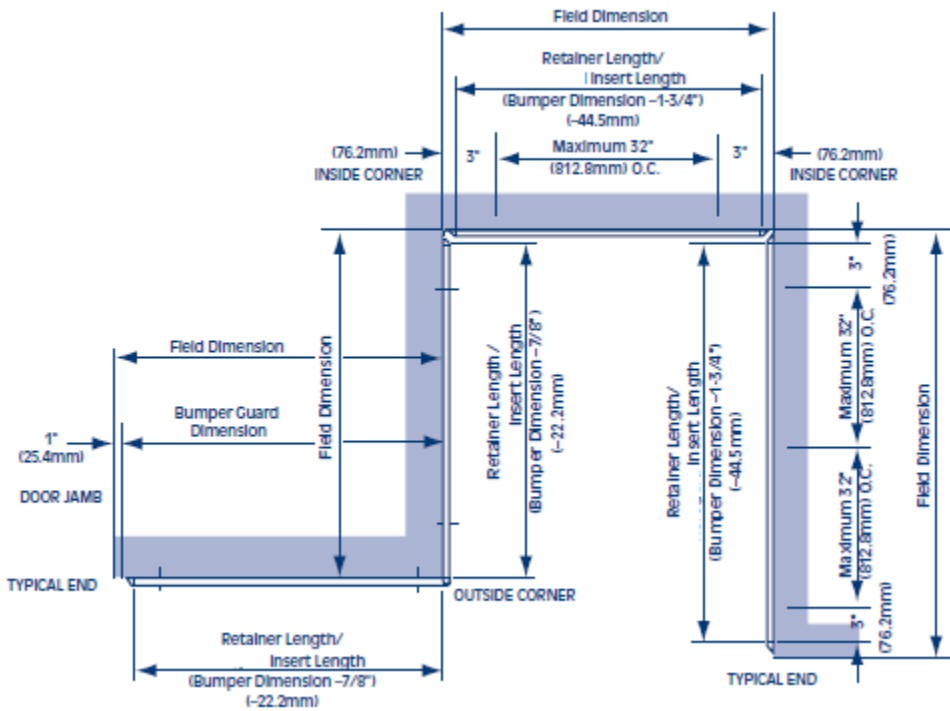
INSTALLATION

1. Snap a chalk line at the proper location on the wall to ensure a level installation. Chalk line should be calculated to the centerline of the mounting bracket wall fasteners.
2. Place the retainer in the proper location and fasten to wall with proper fasteners (not included).
3. Attach the ends to the retainer. Drill and pop-rivet in place.
Note: Prior to installation of the cover, make sure that all fasteners are secure and properly seated.
4. Hold the cover at an angle and place the top of the cover behind the top of the retainer. Make sure that the cover is placed in the proper position and snap-fit the cover onto the aluminum retainer by placing hands downward and applying pressure with the heel of each hand to force the cover onto the retainer. Continue along until the complete length of the cover is securely installed.

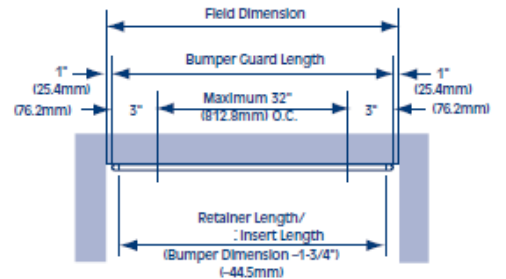
Note: Cover Material is provided in 20'-0" stock lengths to be cut in the field. An 80-100 tooth, carbide tip saw blade or equivalent is recommended for cutting the material to minimize chipping. It is recommended that the cover be cut slightly oversize to provide proper alignment between the end caps.

5. If you have any questions during installation, please call your local Babcock-Davis representative.





Typical Straight Length



Typical Straight Length with Typical Ends

OPERATION

Bumper Guards are designed for years of wall protection. Perform annual inspections to ensure proper fitment and performance.

MAINTENANCE

- Use mild detergent to clean soiled surfaces. Pen marks, paint and graffiti generally wash off easily with mild soap and water. Completely rinse the surface with clean water when complete.
Note: Powdered cleansers and bleach cleaners should be used with care as they may leave a residue embedded in the cover surface. Properly rinsing with clean water will remove any residual residue.
- Tough marks or stains may require a heavy-duty cleaner such as “Crown Anti-Vandal Spray” or “DWR-II”. These specialized spot cleaners should only be used on small areas and tested for color fastness prior to applying in a highly visible area. Rinse thoroughly with clean water to remove the residue from these cleaners.

QUESTIONS?

For more information on installation, repair or replacement, please visit www.Babcockdavis.com or call (888) 412-3726.