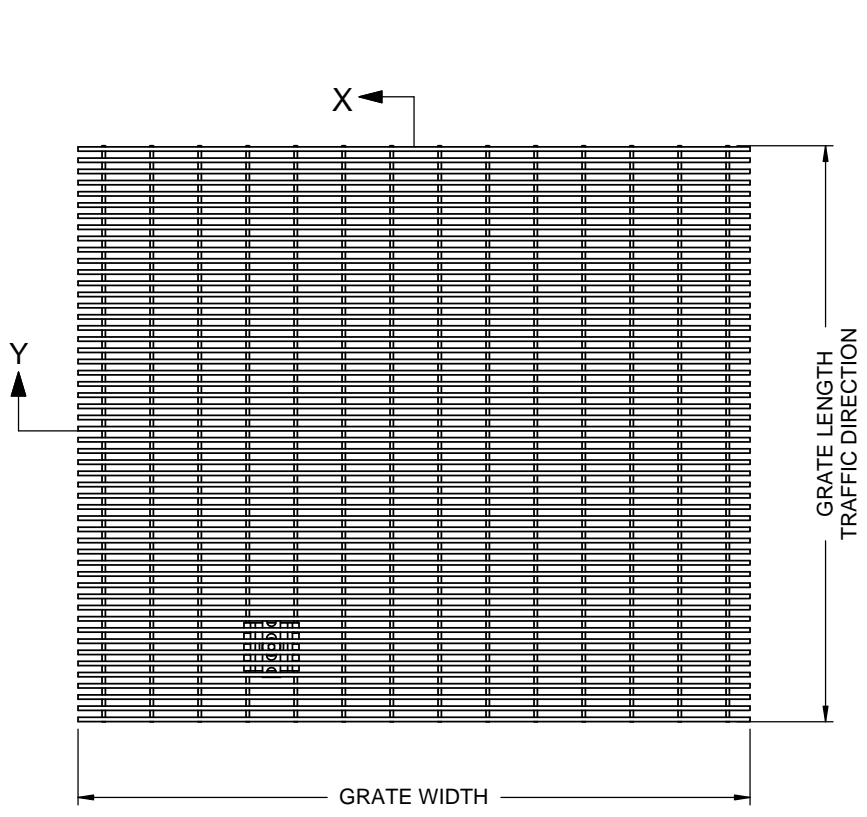
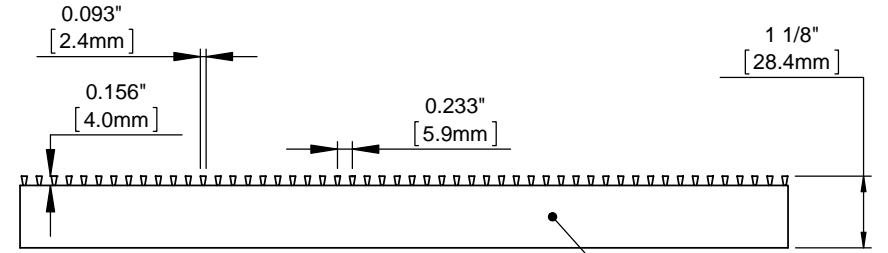


B

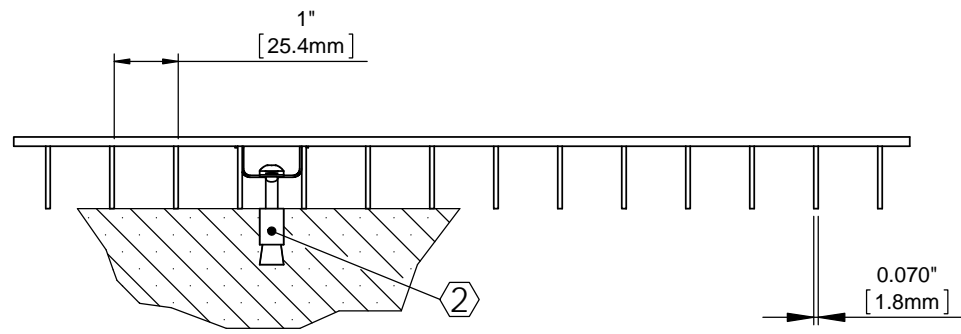
B



TYPICAL PLAN VIEW



**SECTION X
GRATE WIDTH**



**SECTION Y
GRATE LENGTH**

A

A

Notes:

- ① Grates are made of type 304 stainless steel and are 9/8" (28.4mm) deep. Wire is .093 x .156 (2.4mm x 4.0mm), spaced .233 (5.9mm) O.C. with welded .070 (1.8mm) thick support rods spaced 1" (25.4mm) O.C.
- ② Field installed hidden lockdown assembly with concrete anchor.
- 3. Grate surface wires must run perpendicular to traffic direction.

- 4. Frame options:
 - SS-98SF, stainless steel angle frame, deep pit cast in place with cross supports.
 - SS-98SFLB, stainless steel angle frame, level bed, cast in place.
 - SS-98SFDLB, stainless steel angle frame, level bed, mechanically fastened
 - F-8, aluminum recessed frame, level bed, cast in place.

5. Additional information can be found in the product specification and is considered part of this transmittal.

PROJECT:			
ARCHITECT:			
CONTRACTOR:			
<p>Babcock-Davis Always right there. 9300 73rd Avenue North Brooklyn Park, MN 55428</p>		DESCRIPTION:	
		SS-98G Elegril	
NAME	DATE	SIZE	MODEL NO.
DRAWN DKL	8/16/13	A	SS-98G
RELEASED PGE	8/26/13	SCALE: NTS	SHEET 1 OF 1