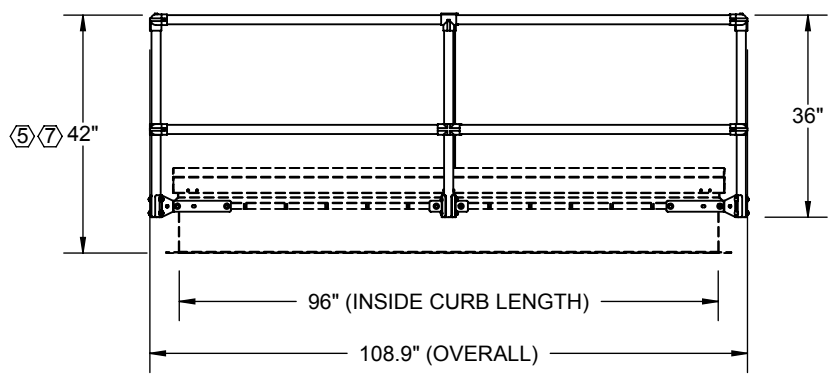


(DOUBLE DOOR SMOKE VENT SHOWN FOR ILLUSTRATIVE PURPOSES ONLY)

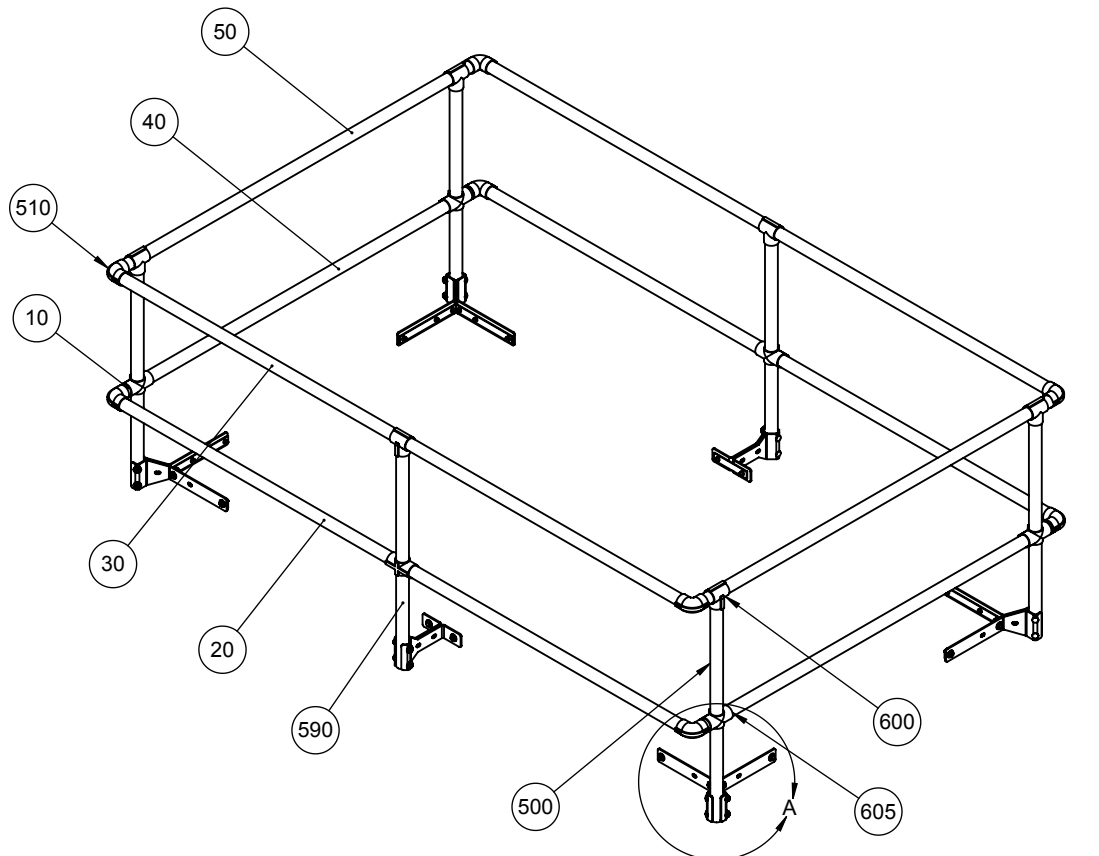


SPECIFICATIONS

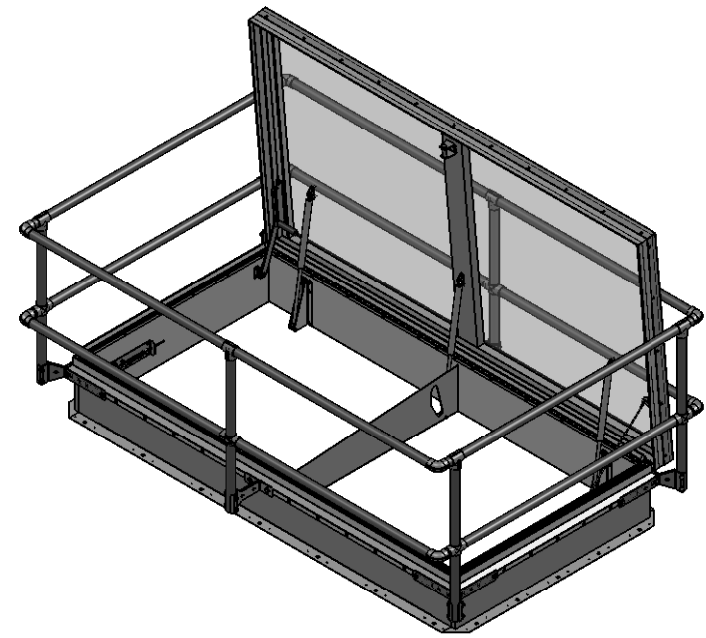
- ① **RAILS, POSTS:** GALVANIZED PIPE 1 1/4" I.D. SCH 40 A53 GRADE B SEAMED STEEL
- ② **COUNTERFLASH MOUNTING BRACKETS:** 3/16" ZINC PLATED STEEL FASTENED TO STEEL BACKING PLATE
- ③ **BOLTS:** HEX HEAD BOLTS 3/8"-16 x 3/4" GRADE 5 ZINC PLATED
- ④ **RAILING FITTINGS AND PLUGS:** MANUFACTURER'S STANDARD CAST WITH SET SCREW HOLD
- ⑤ **CERTIFICATIONS:** MEETS OSHA 29 CFR 1910.23 GUARDING FOR OPENINGS REQUIREMENTS.
 - SUPPORTS 200 LBS. FORCE
 - 8' MAXIMUM POST SPACING
 - TOP RAIL LOCATED 42" ±3" FROM WALKING SURFACE
- 6. **SMOKE VENT SIZE:** 48" (WIDTH) x 96" (LENGTH)
- ⑦ NOT FOR USE ON SMOKE VENTS WITH DOMES OR SMOKE VENTS WITHOUT COUNTERFLASHING. SAFETY RAILING SIZE AND TOP RAIL LOCATION BASED ON STANDARD SMOKEN VENTS. CONSULT FACTORY FOR SMOKE VENTS WITH CUSTOM OPTIONS.

PROPRIETARY AND CONFIDENTIAL: THE INFORMATION CONTAINED IN THIS DRAWING IS THE SOLE PROPERTY OF BABCOCK-DAVIS. ANY REPRODUCTION IN PART OR AS A WHOLE WITHOUT THE WRITTEN PERMISSION OF BABCOCK-DAVIS IS PROHIBITED.

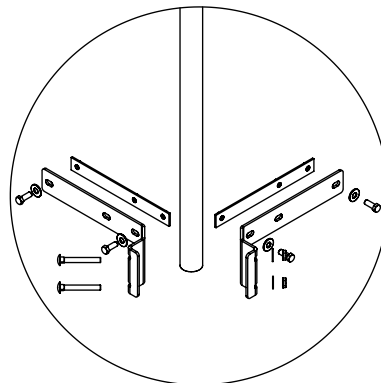
PROJECT:					
ARCHITECT:					
CONTRACTOR:					
QTY:					
PART#:		SRVG48X96NN			
9300 73rd Avenue North Brooklyn Park, MN 55428		TITLE: Safety Railings for Smoke Vents 48x96, No Exit, Steel, Galvanized, Top and Mid Rails,			
		NAME	DATE	SIZE	DWG. NO.
DRAWN	PGE	1/26/12	A	SRVG48X96NN	A
RELEASED	DWO	TODAY	WEIGHT: 186.17		SHEET 1 OF 2



ITEM NO.	PART NUMBER	DESCRIPTION	QTY.
10	27258-2.50	RAIL, 1-1/4" X 2.50L,	4
20	27258-51.25	RAIL, 1-1/4" X 51.25L,	4
30	27258-52.00	RAIL, 1-1/4" X 52.00L,	4
40	27258-56.75	RAIL, 1-1/4" X 56.75L,	2
50	27258-65.50	RAIL, 1-1/4" X 65.50L,	2
500	27180	PKG, CORNER POST, ZPS,	4
510	27185	FTG, ELBOW,	8
590	27409	PKG, EX SIDE POST, GALV,	2
600	27200	FTG, TEE-MID,	4
605	27230	FTG, CROSS TEE,	4



(SINGLE DOOR SMOKE VENT WITH MULTIWALL SHOWN FOR ILLUSTRATIVE PURPOSES ONLY)



DETAIL A

INSTALLATION NOTES:

1. TO DRILL HOLES IN COUNTERFLASHING TO MOUNT RAILING BRACKETS, TEMPORARILY ASSEMBLE THE RAILING BRACKETS AND MARK MOUNTING HOLES ON EACH CORNER. DRILL 1/2" DIAMETER HOLES THROUGH COUNTERFLASHING OF CURB.
2. REFERENCE MANUFACTURING INSTALLATION INSTRUCTIONS FOR FURTHER DETAILS.

PROPRIETARY AND CONFIDENTIAL: THE INFORMATION CONTAINED IN THIS DRAWING IS THE SOLE PROPERTY OF BABCOCK-DAVIS. ANY REPRODUCTION IN PART OR AS A WHOLE WITHOUT THE WRITTEN PERMISSION OF BABCOCK-DAVIS IS PROHIBITED.

<p>9300 73rd Avenue North Brooklyn Park, MN 55428</p>			TITLE: Safety Railings for Smoke Vents 48x96, No Exit, Steel, Galvanized, Top and Mid Rails,		
NAME	DATE	SIZE	DWG. NO.	REV	
PGE	1/26/12	A	SRVG48X96NN	A	
RELEASED	DWO	TODAY	WEIGHT: 186.17	SHEET 2 OF 2	