

8

7

6

5

4

3

2

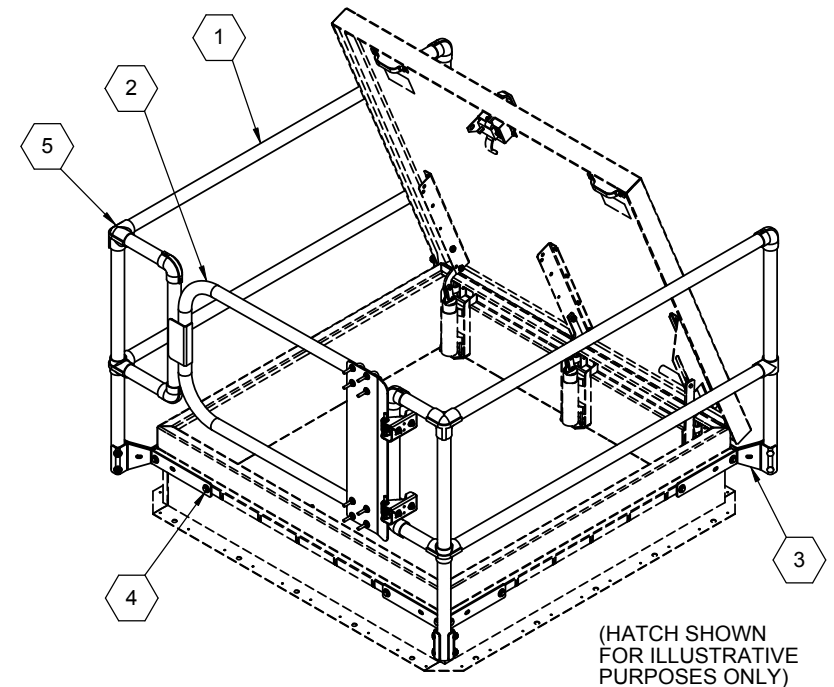
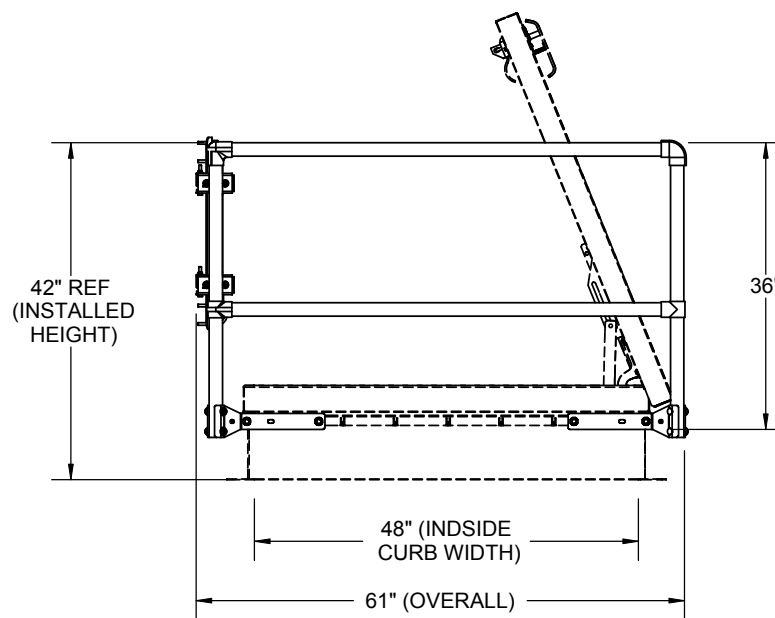
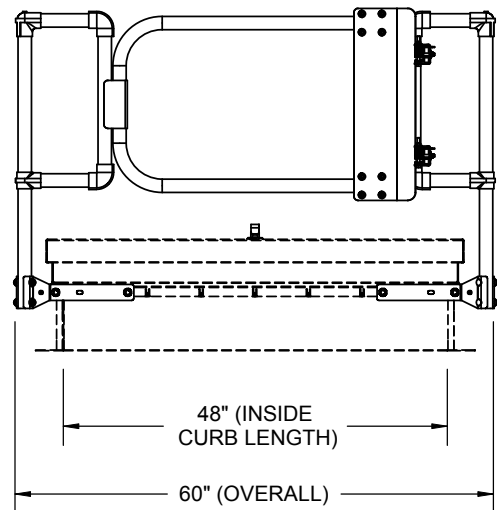
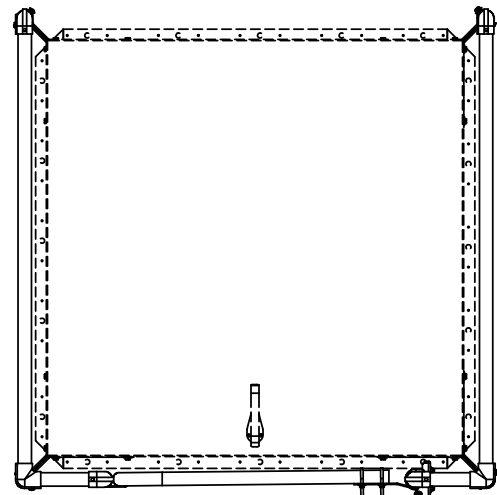
1

D

C

B

A



SPECIFICATIONS

- 1 RAILS, POSTS: GALVANIZED PIPE 1 1/4" I.D. SCH 40 A53 GRADE B SEAMED STEEL
- 2 GATE: GALVANIZED TUBULAR SELF CLOSING WITH COIL SPRING, ZINC PLATED A53 GRADE B
- 3 COUNTERFLASH MOUNTING BRACKETS: 3/16" ZINC PLATED STEEL FASTENED TO STEEL BACKING PLATE
- 4 BOLTS: HEX HEAD BOLTS 3/8"-16 x 3/4" GRADE 5 ZINC PLATED
- 5 RAILING FITTINGS AND PLUGS: MANUFACTURER'S STANDARD CAST WITH SET SCREW HOLD

FITS HATCH SIZES UP TO 48" X 48"

CERTIFICATIONS: MEETS OSHA 29 CFR 1910.23 GUARDING FOR OPENINGS REQUIREMENTS; SUPPORTS 200 LBS. FORCE

PATENT PENDING

SRCG48X48FG

| | | | | | |
|-------|--|---|----------------|----------------|-----------------------|
| | | TITLE: Safety Railings for Roof Hatch 48x48, Front Exit, Steel, Galvanized, Self Closing Gate | | | |
| | | NAME: DKL | DATE: 10/09/09 | SIZE: B | DWG. NO.: SRCG48X48FG |
| DRAWN | | RELEASED | | WEIGHT: 633.08 | SHEET 1 OF 2 |

8

7

6

5

4

3

2

1

8

7

6

5

4

3

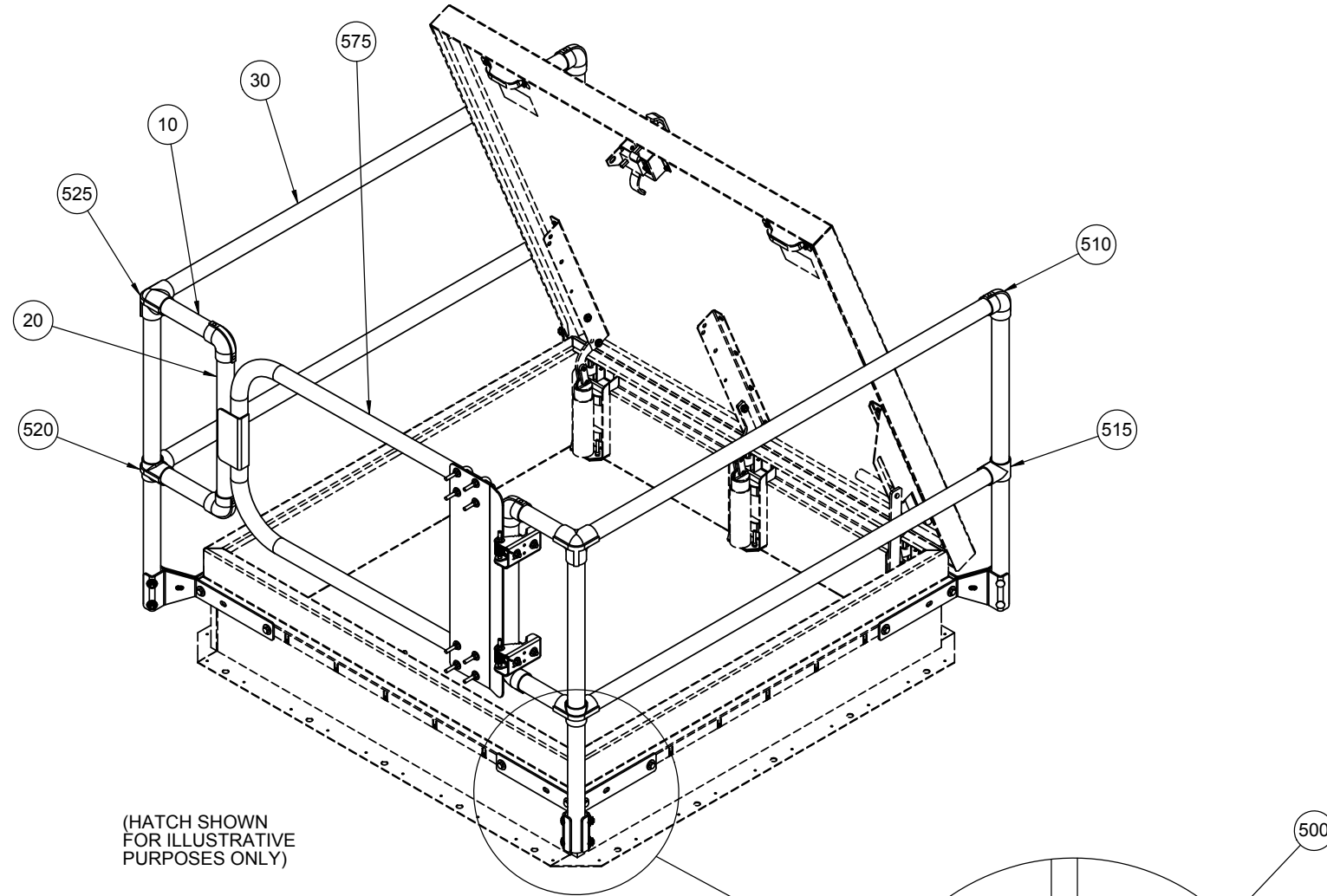
2

1

| ITEM NO. | PART NUMBER | DESCRIPTION | QUANTITY |
|----------|--------------|------------------------|----------|
| 10 | 27258-8.00 | RAIL, 1-1/4" X 8.00L, | 4 |
| 20 | 27258-18.00 | RAIL, 1-1/4" X 18.00L, | 2 |
| 30 | 27258-55.75 | RAIL, 1-1/4" X 55.75L, | 4 |
| 500 | 27180 | PKG, CORNER POST, ZPS, | 4 |
| 510 | 27185 | FTG, ELBOW, | 6 |
| 515 | 27188 | FTG, TEE, | 2 |
| 520 | 27186 | FTG, CROSS ELBOW, | 2 |
| 525 | 27231 | FTG, DBL TEE, | 2 |
| 575 | SRCG-GATE-30 | GATE, 30, | 1 |

D

D



C

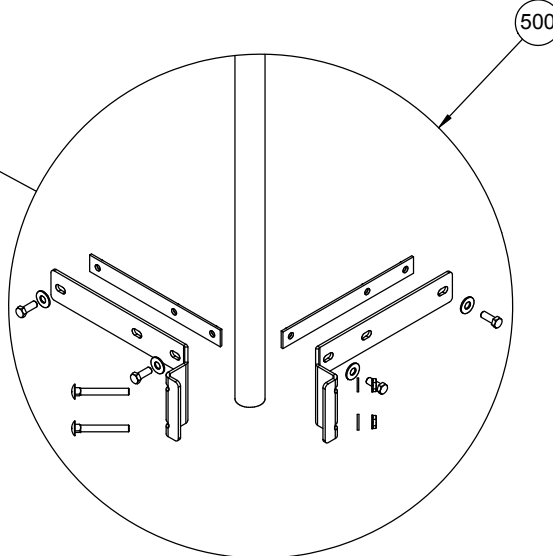
C

B

B

A

A



DETAIL A
SCALE 1 : 8

SRCG48X48FG

| | | | |
|----------------|---|----------------|-----------------------|
| | TITLE: Safety Railings for Roof Hatch 48x48, Front Exit, Steel, Galvanized, Self Closing Gate | | |
| | NAME: DKL | DATE: 10/09/09 | REV: A |
| DRAWN | RELEASED | SIZE: B | DWG. NO.: SRCG48X48FG |
| WEIGHT: 633.08 | | SHEET 2 OF 2 | |

8

7

6

5

4

3

2

1