

8

7

6

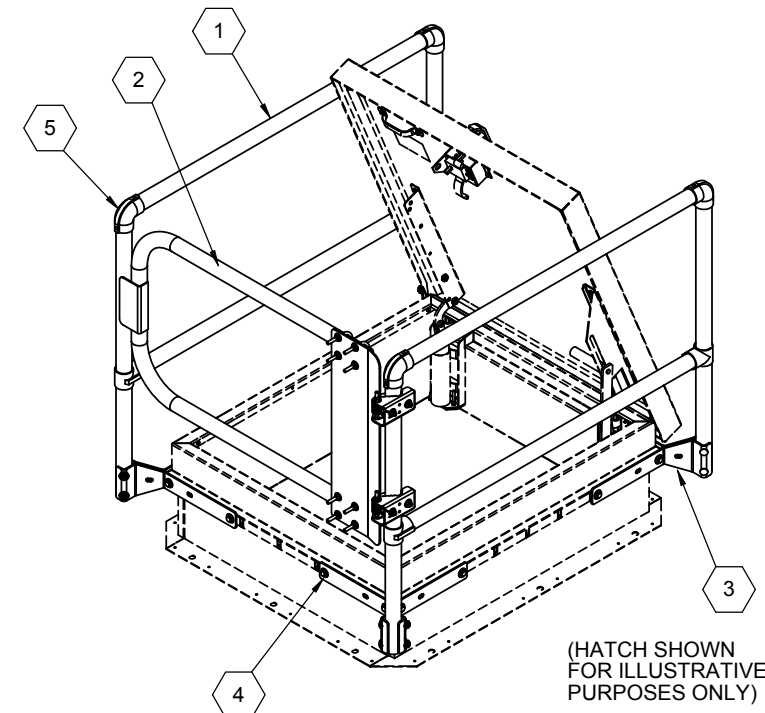
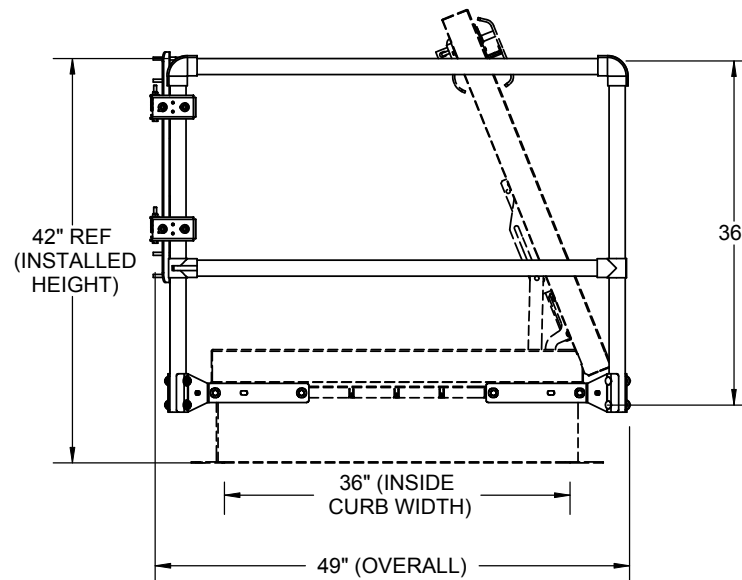
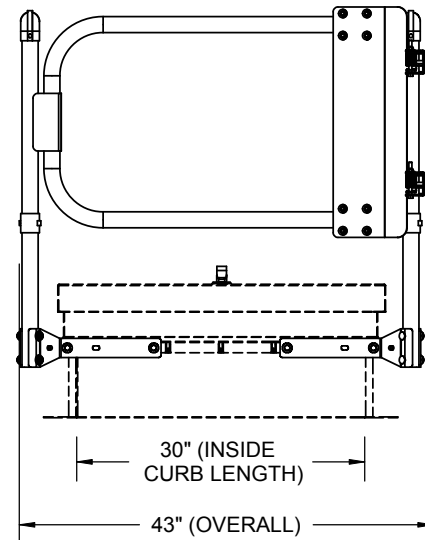
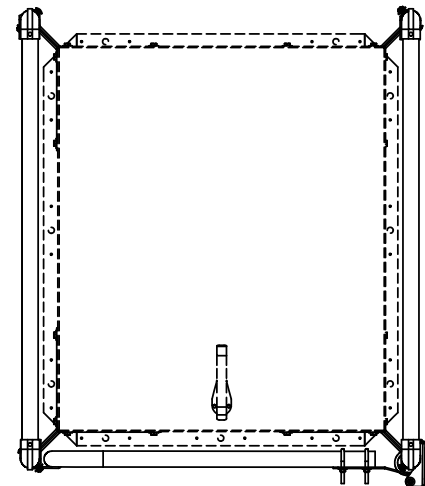
5

4

3

2

1



(HATCH SHOWN FOR ILLUSTRATIVE PURPOSES ONLY)

SPECIFICATIONS

- 1 RAILS, POSTS: GALVANIZED PIPE 1 1/4" I.D. SCH 40 A53 GRADE B SEAMED STEEL
- 2 GATE: GALVANIZED 1 1/4" TUBULAR STEEL SELF CLOSING WITH COIL SPRING, ZINC PLATED A53 GRADE B
- 3 COUNTERFLASH MOUNTING BRACKETS: 3/16" ZINC PLATED STEEL FASTENED TO STEEL BACKING PLATE
- 4 BOLTS: HEX HEAD BOLTS 3/8"-16 x 3/4" GRADE 5 ZINC PLATED
- 5 RAILING FITTINGS AND PLUGS: MANUFACTURER'S STANDARD CAST WITH SET SCREW HOLD

FITS HATCH SIZES UP TO 30" X 36", FOR SMALLER HATCH SIZES CUT RAILS TO LENGTH IN FIELD

CERTIFICATIONS: MEETS OSHA 29 CFR 1910.23 GUARDING FOR OPENINGS REQUIREMENTS; SUPPORTS 200 LBS. FORCE

PATENT PENDING

SRCG36X30FG

		TITLE: Safety Railings for Roof Hatch 36X30, Front Exit, Steel, Galvanized, Self Closing Gate			
		NAME: DKL	DATE: 10/7/09	SIZE: B	DWG. NO.: SRCG36X30FG
DRAWN		RELEASED		WEIGHT: 282.08	SHEET 1 OF 2

8

7

6

5

4

3

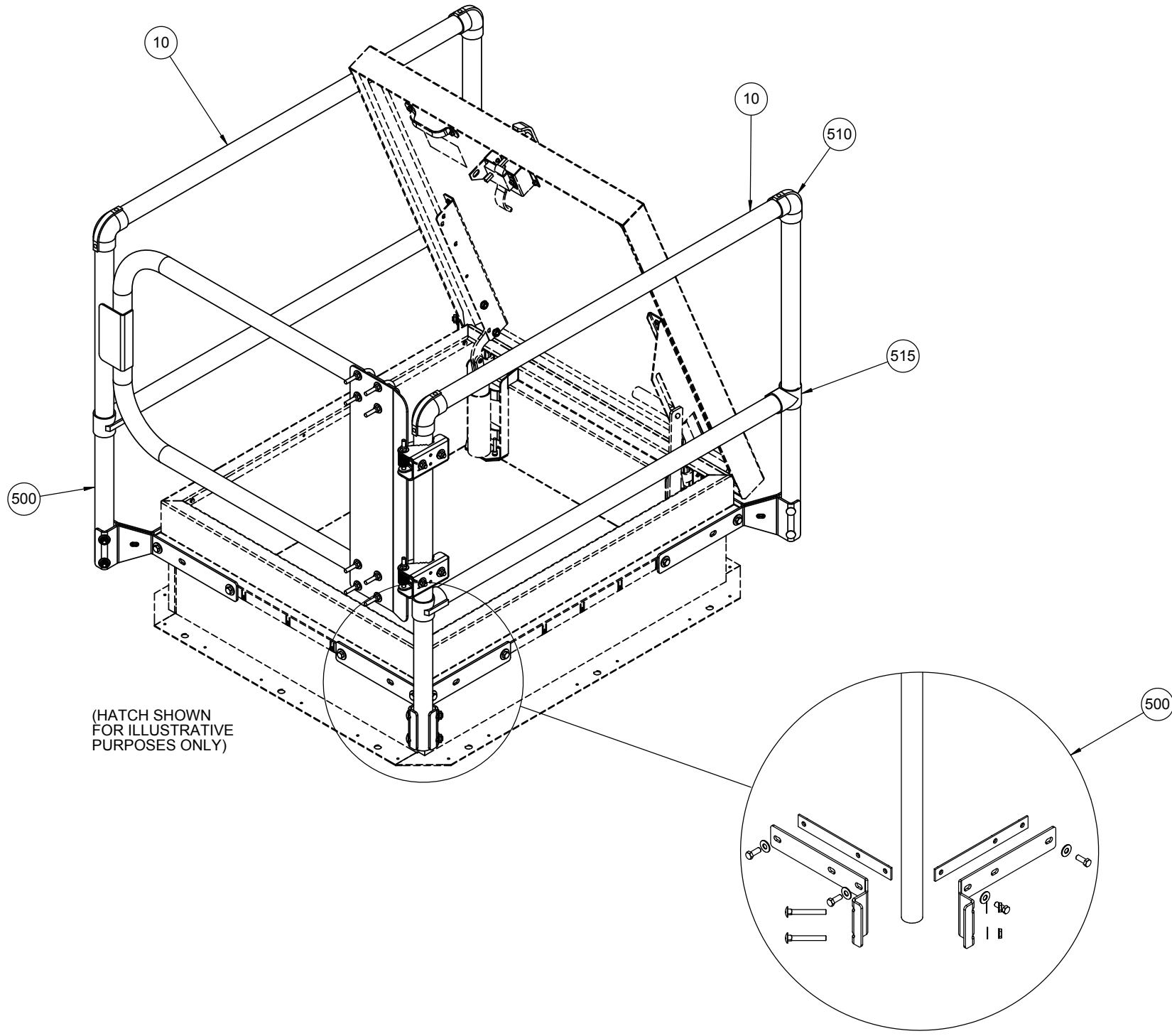
2

1

8 7 6 5 4 3 2 1

ITEM NO.	PART NUMBER	DESCRIPTION	QUANTITY
10	27258-43.75	RAIL, 1-1/4" X 43.75L,	4
500	27180	PKG, CORNER POST, ZPS,	4
510	27185	FTG, ELBOW,	4
515	27188	FTG, TEE,	4
575	SRCG-GATE-30	GATE, 30,	1

D
C
B
A



DETAIL A
SCALE 1:8

SRCG36X30FG

			TITLE: Safety Railings for Roof Hatch 36X30, Front Exit, Steel, Galvanized, Self Closing Gate		
	NAME	DATE	SIZE	DWG. NO.	REV
DRAWN	DKL	10/7/09	B	SRCG36X30FG	A
RELEASED	-	-	WEIGHT: 282.08		SHEET 2 OF 2

PROPRIETARY AND CONFIDENTIAL. THE INFORMATION CONTAINED IN THIS DRAWING IS THE SOLE PROPERTY OF BABCOCK-DAVIS. ANY REPRODUCTION OR TRANSMISSION IN ANY FORM OR BY ANY MEANS WITHOUT THE WRITTEN PERMISSION OF BABCOCK-DAVIS IS PROHIBITED.

8 7 6 5 4 3 2 1