

8

7

6

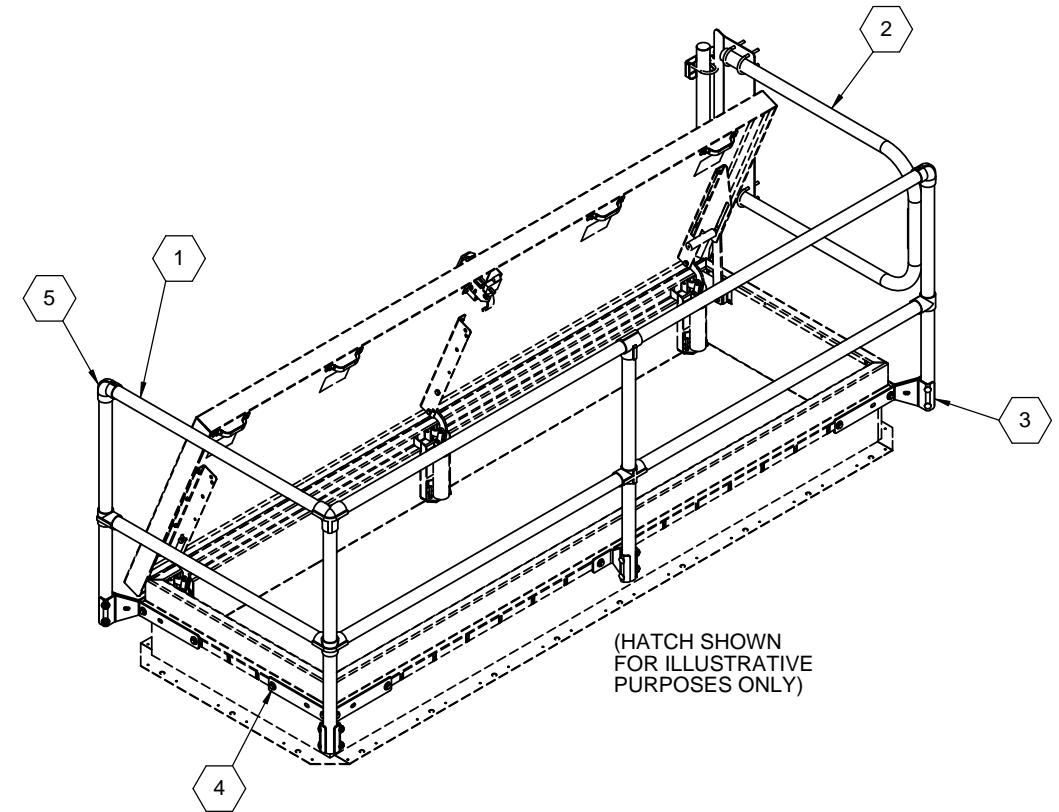
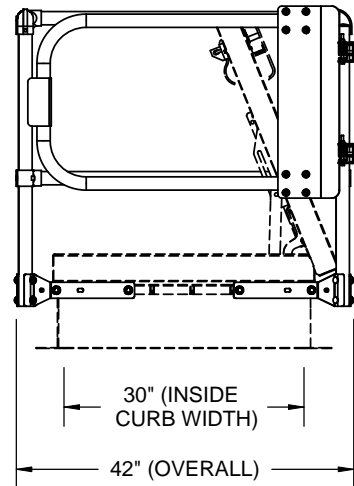
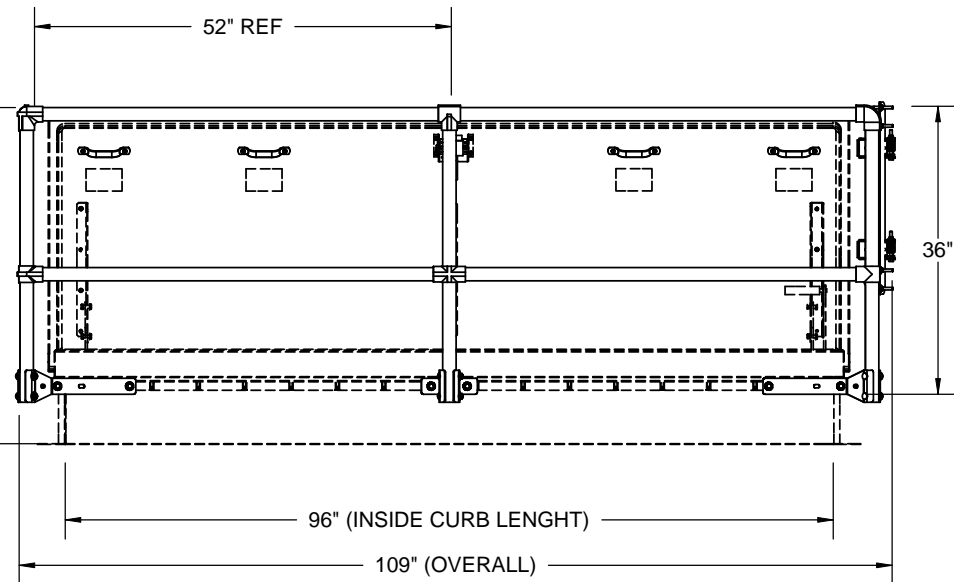
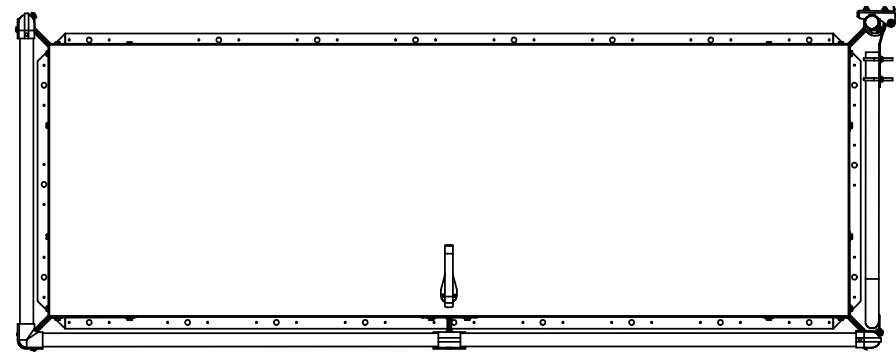
5

4

3

2

1



(HATCH SHOWN FOR ILLUSTRATIVE PURPOSES ONLY)

SPECIFICATIONS

- 1 RAILS, POSTS: GALVANIZED PIPE 1 1/4" I.D. SCH 40 A53 GRADE B SEAMED STEEL
- 2 GATE: GAVANIZED 1 1/4" TUBULAR STEEL SELF CLOSING WITH COIL SPRING, ZINC PLATED
- 3 COUNTERFLASH MOUNTING BRACKETS: 3/16" ZINC PLATED STEEL FASTENED TO STEEL BACKING PLATE
- 4 BOLTS: HEX HEAD BOLTS 3/8"-16 x 3/4" GRADE 5 ZINC PLATED
- 5 RAILING FITTINGS AND PLUGS: MANUFACTURER'S STANDARD CAST WITH SET SCREW HOLD

FITS HATCH SIZES UP TO 30" X 96", FOR SMALLER HATCH SIZES CUT RAILS TO LENGTH IN FIELD

CERTIFICATIONS: MEETS OSHA 29 CFR 1910.23 GUARDING FOR OPENINGS REQUIREMENTS; SUPPORTS 200 LBS. FORCE

PATENT PENDING

SRCG30X96SG

			TITLE: Safety Railings for Roof Hatch 30X96, Side Exit, Steel, Galvanized, Self Closing Gate		
			NAME	DATE	SIZE
DRAWN	DKL	TODAY	B	SRCG30X96SG	A
RELEASED	DWO	TODAY			

8

7

6

5

4

3

2

1

8

7

6

5

4

3

2

1

D

D

C

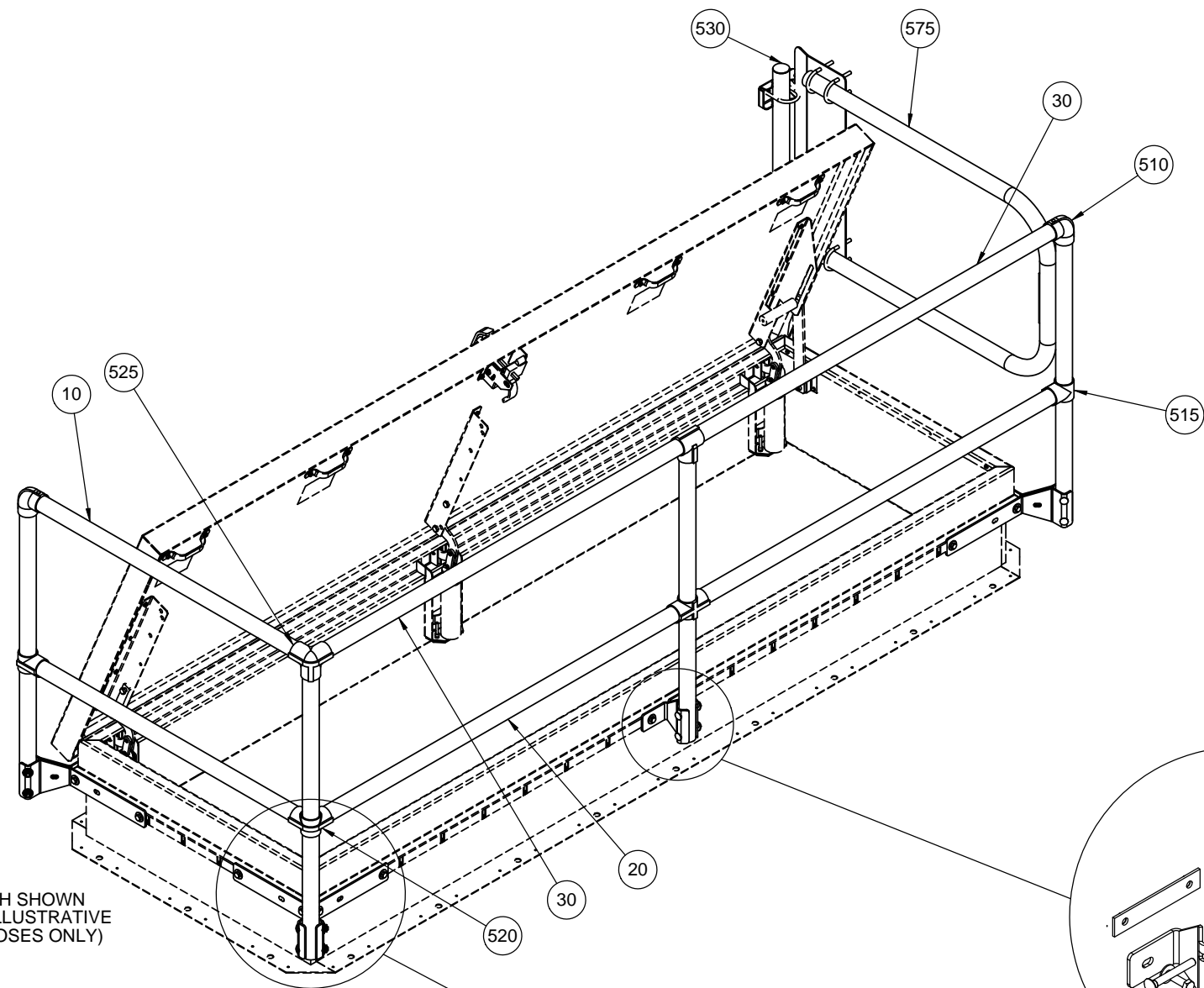
C

B

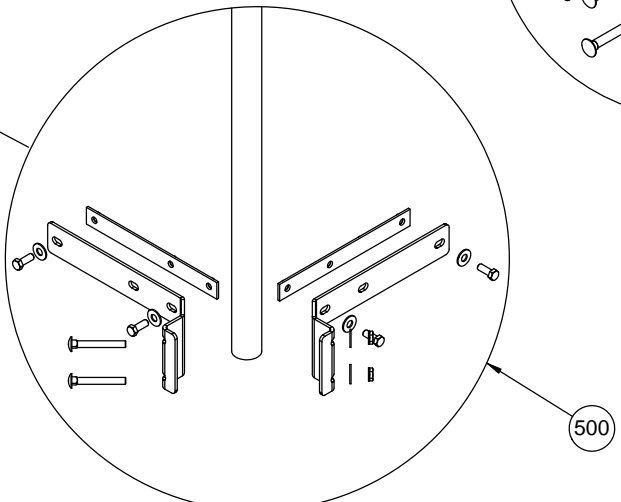
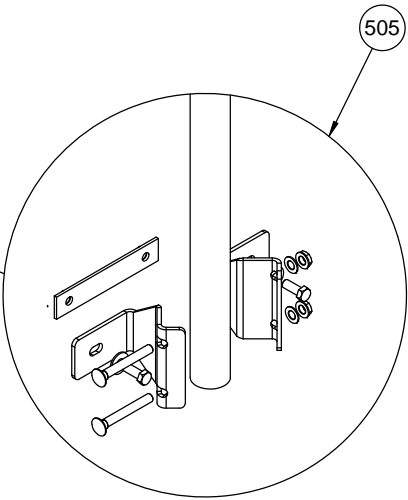
B

A

A



ITEM NO.	PART NUMBER	DESCRIPTION	QUANTITY
10	27258-37.75	RAIL, 1-1/4" X 37.75L,	2
20	27258-51.00	RAIL, 1-1/4" X 51.00L,	2
30	27258-51.75	RAIL, 1-1/4" X 51.75L,	2
500	27180	PKG, CORNER POST, ZPS,	4
505	27259	PKG, SIDE POST, GALV,	1
510	27185	FTG, ELBOW,	2
515	27188	FTG, TEE,	2
520	27186	FTG, CROSS ELBOW,	1
525	27231	FTG, DBL TEE,	1
530	27189	FTG, END CAP	1
575	SRCG-GATE-30	GATE, 30,	1



(HATCH SHOWN FOR ILLUSTRATIVE PURPOSES ONLY)

DETAIL B SCALE 1:4

DETAIL A SCALE 1:8

SRCG30X96SG

Babcock-Davis
Always right there.
 9300 73rd Avenue North
 Brooklyn Park, MN 55428

TITLE:
 Safety Railings for Roof Hatch
 30X96, Side Exit,
 Steel, Galvanized, Self Closing Gate

		NAME	DATE	SIZE	DWG. NO.	REV
DRAWN	DKL	TODAY		B	SRCG30X96SG	A
RELEASED	DWO	TODAY				

WEIGHT: 768.74 SHEET 2 OF 2

8

7

6

5

4

3

2

1