

8

7

6

5

4

3

2

1

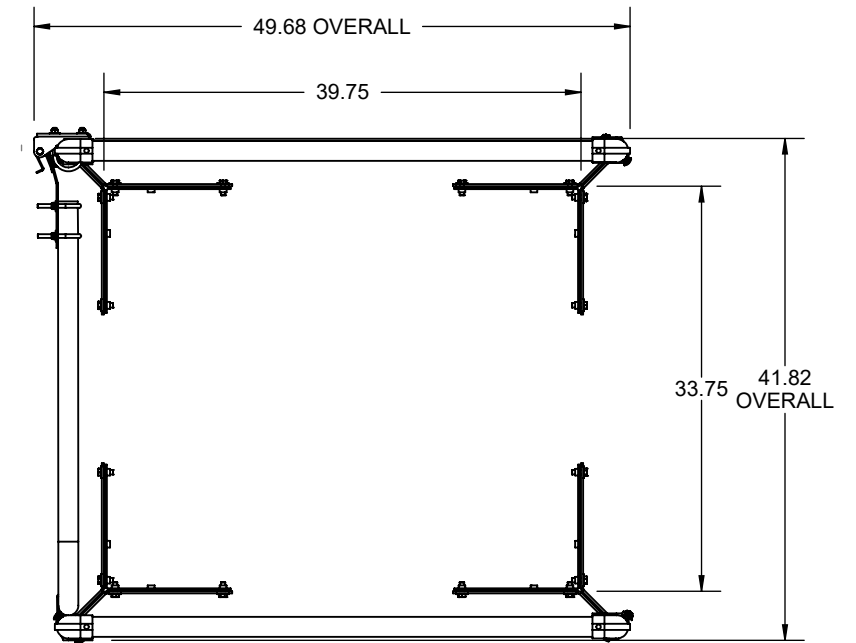
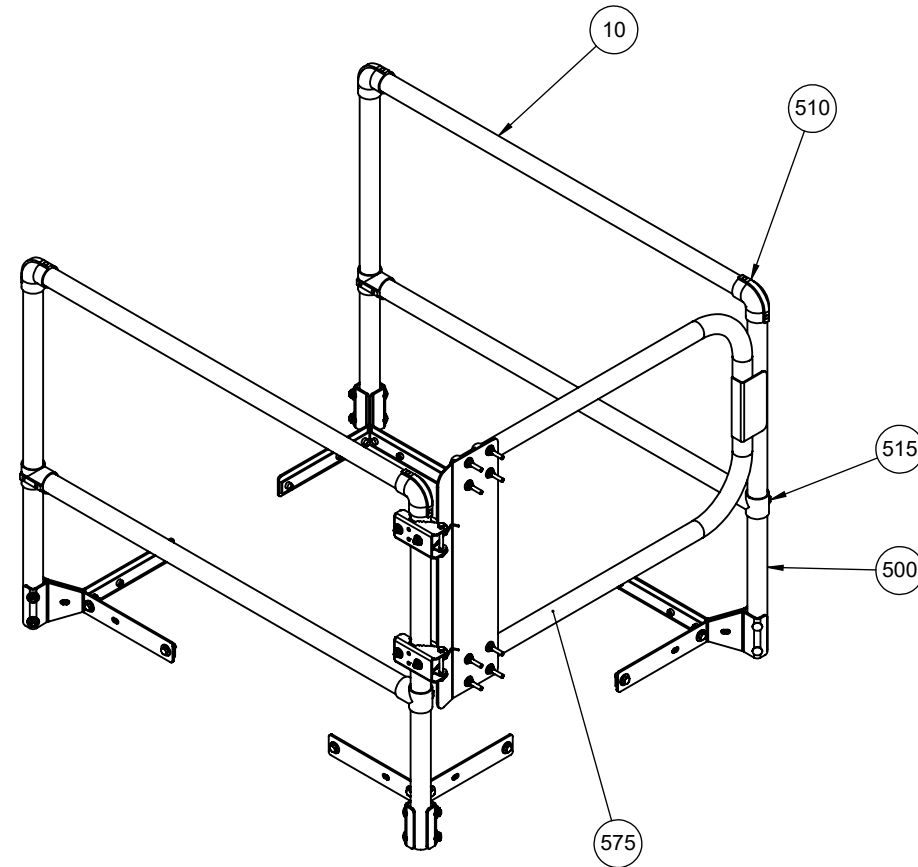
ITEM NO.	PART NUMBER	DESCRIPTION	QUANTITY
10	27496-43.75-Y	RAIL, 1 1/4" X 43.75	4
500	27180-A-Y	PKG, CORNER POST, ZPS,	4
510	27185	FTG, ELBOW,	4
515	27188	FTG, TEE,	4
575	SRCAY-GATE-30	GATE, 30,	1

D

C

B

A



SPECIFICATIONS

RAILS, POSTS: 6061 T6 ALUMINUM ALLOY 1 1/4" I.D. SCH 40

GATE: 1 1/4" TUBULAR ALUMINUM SELF CLOSING WITH C OIL SPRING, ZINC PLATED

COUNTERFLASH MOUNTING BRACKETS: 3/16" ZINC PLATED STEEL FASTENED TO STEEL BACKING PLATE, SLATE GRAY POWDER COAT

BOLTS: HEX HEAD BOLTS 3/8"-16 x 3/4" GRADE 5 ZINC PLATED

RAILING FITTINGS AND PLUGS: MANUFACTURER'S STANDARD CAST WITH SET SCREW HOLD

FITS HATCH SIZES UP TO 36" X 30"

CERTIFICATIONS: MEETS OSHA 29 CFR 1910.28 AND 1910.29 REQUIREMENTS FOR FALL PROTECTION; SUPPORTS 200 LBS. FORCE.

FINISH: SAFETY YELLOW POWDER COAT

SRCAY36X30FG

		TITLE: Safety Railings for Roof Hatch 36X30, Front Exit, Alum, Safety Yellow Pwd, Self Closing Gate	
9300 73rd Avenue North Brooklyn Park, MN 55428		SIZE DWG. NO.	REV
DRAWN	SJB	12/14/17	B SRCAY36X30FG A
RELEASED	-	-	WEIGHT: 281.15 SHEET 1 OF 1

8

7

6

5

4

3

2

1