

8

7

6

5

4

3

2

1

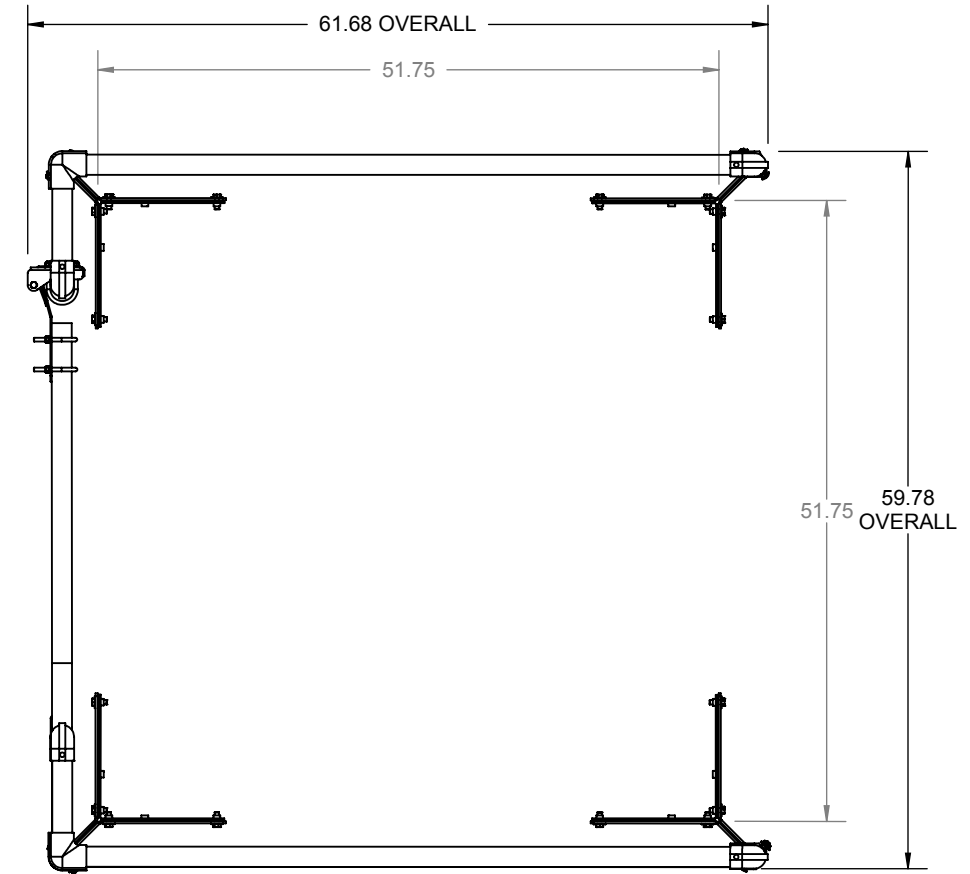
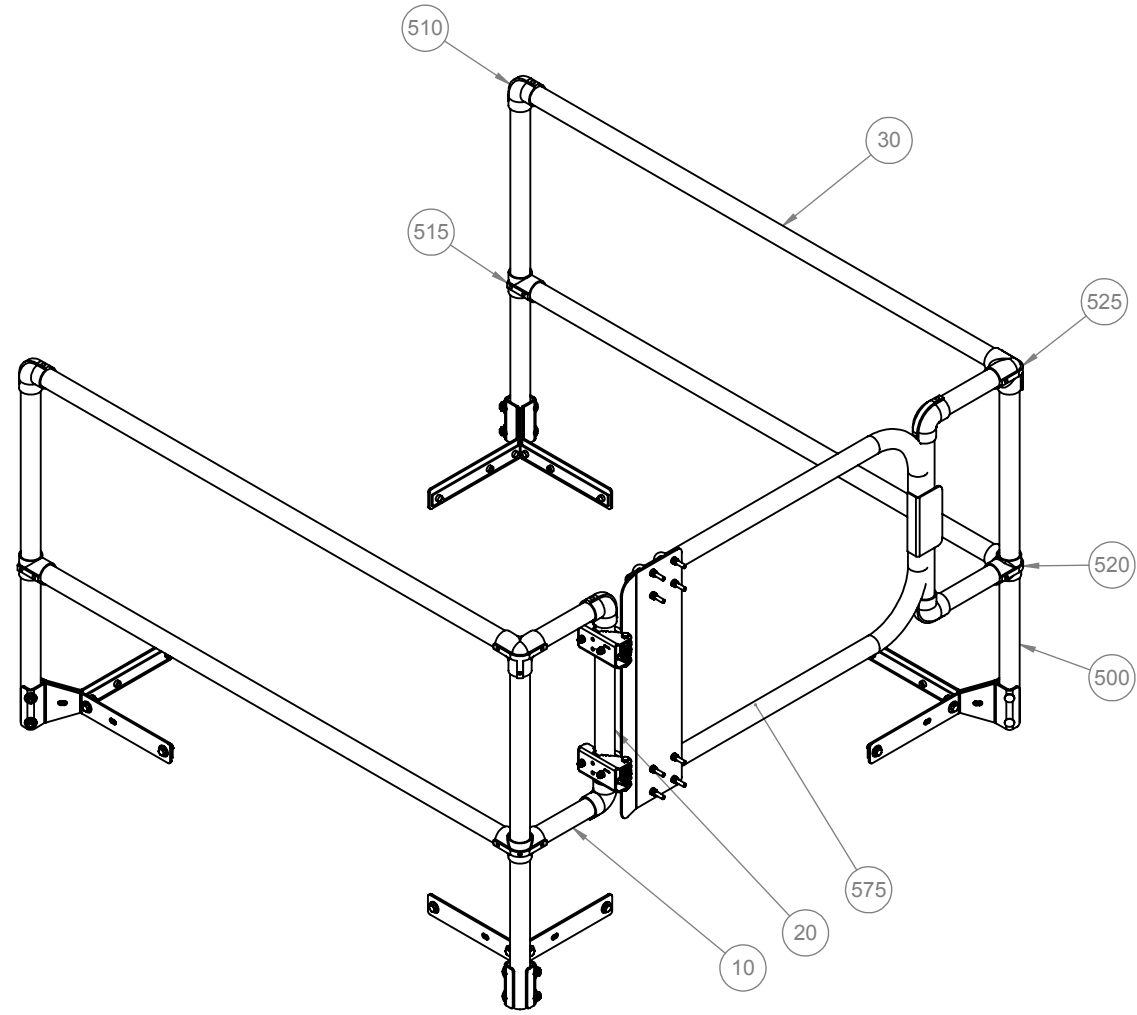
| ITEM NO. | PART NUMBER | DESCRIPTION | QTY. |
|----------|--------------|------------------------|------|
| 10 | 27496-8.00 | RAIL, 1-1/4" X 8.00L, | 4 |
| 20 | 27496-18.00 | RAIL, 1-1/4" X 18.00L, | 2 |
| 30 | 27496-55.75 | RAIL, 1-1/4" X 55.75L, | 4 |
| 500 | 27180-A | PKG, CORNER POST, ZPS, | 4 |
| 510 | 27185 | FTG, ELBOW, | 6 |
| 515 | 27188 | FTG, TEE, | 2 |
| 520 | 27186 | FTG, CROSS ELBOW, | 2 |
| 525 | 27231 | FTG, DBL TEE, | 2 |
| 575 | SRCA-GATE-30 | GATE, 30, | 1 |

D

C

B

A



SPECIFICATIONS

RAILS, POSTS: 6061 T6 ALUMINUM ALLOY 1 /14" I.D. SCH 40

GATE: 1 1/4" TUBULAR ALUMINUM SELF CLOSING WITH COIL SPRING, ZINC PLATED

COUNTERFLASH MOUNTING BRACKETS: 3/16" ZINC PLATED STEEL FASTENED TO STEEL BACKING PLATE

BOLTS: HEX HEAD BOLTS 3/8"-16 x 3/4" GRADE 5 ZINC PLATED

RAILING FITTINGS AND PLUGS: MANUFACTURER'S STANDARD CAST WITH SET SCREW HOLD

FITS HATCH SIZES UP TO 48" X 48"

CERTIFICATIONS: MEETS OSHA 29 CFR 1910.23 GUARDING FOR OPENINGS REQUIREMENTS; SUPPORTS 200 LBS. FORCE

SRCA48X48FG



9300 73rd Avenue North
Brooklyn Park, MN 55428

TITLE:
Safety Railings for Roof Hatch
48x48, Front Exit, Sngl Door,
Aluminum, Gate

| | | | | | |
|----------|------|-----------|----------------|-------------|--------------|
| | NAME | DATE | SIZE | DWG. NO. | REV |
| DRAWN | SJB | TODAY | B | SRCA48X48FG | A |
| RELEASED | DWO | 4/16/2018 | WEIGHT: Weight | | SHEET 1 OF 1 |

8

7

6

5

4

3

2

1