

8

7

6

5

4

3

2

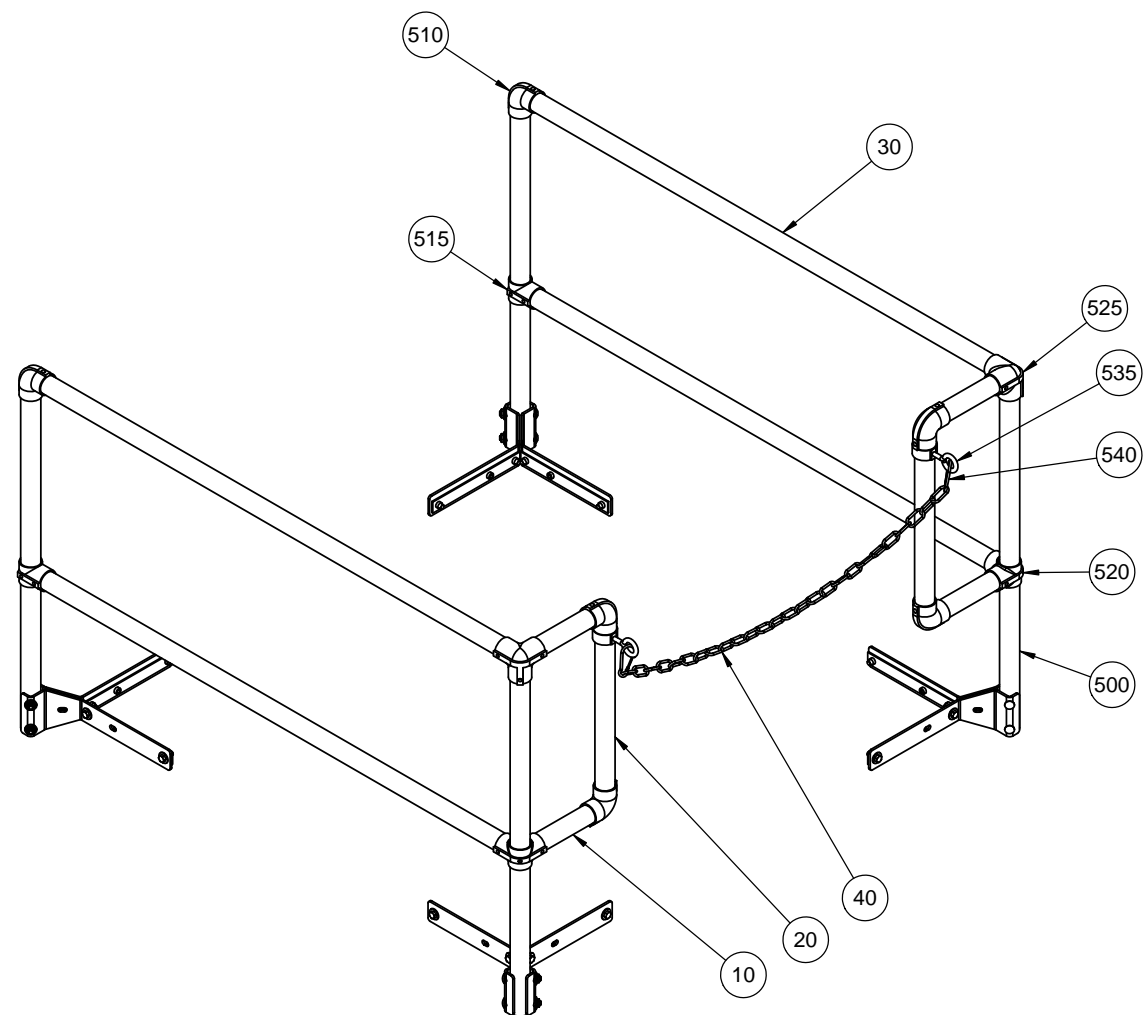
1

D

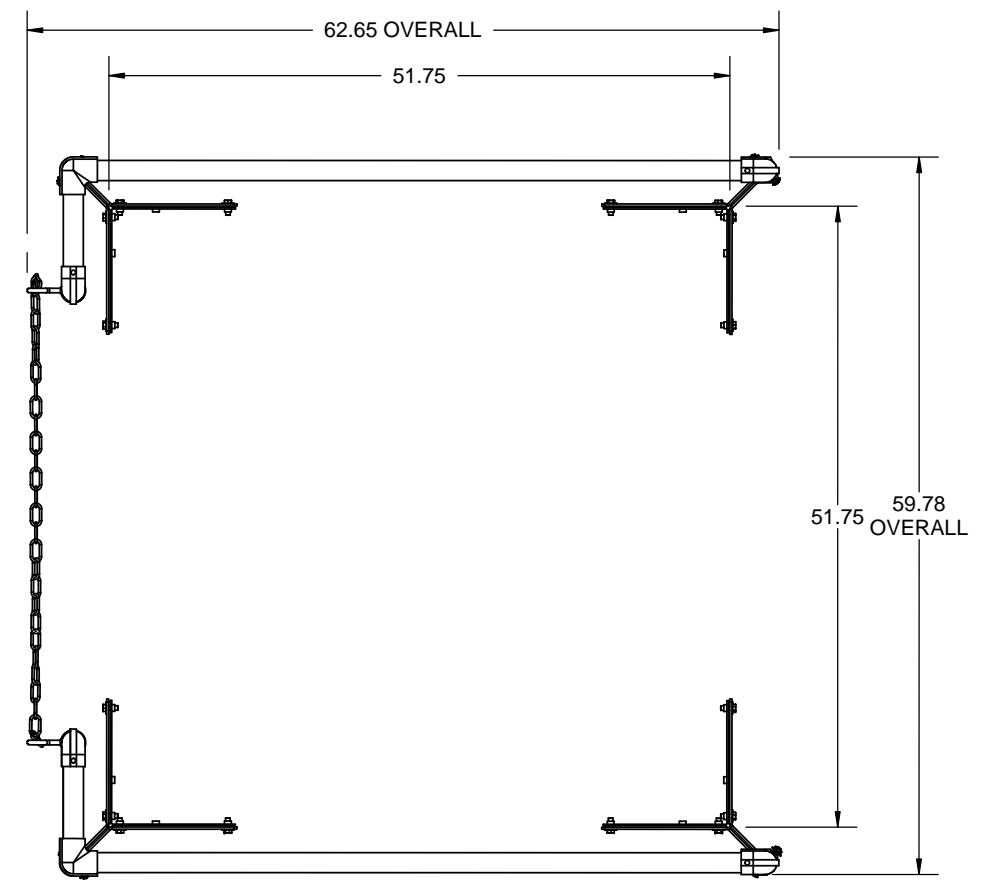
C

B

A



ITEM NO.	PART NUMBER	DESCRIPTION	QTY.
10	27496-8.00	RAIL, 1-1/4" X 8.00L,	4
20	27496-18.00	RAIL, 1-1/4" X 18.00L,	2
30	27496-55.75	RAIL, 1-1/4" X 55.75L,	4
40	1985-36.00	CHAIN, SAFETY, STL, ZPS	1
500	27180-A	PKG, CORNER POST, ZPS,	4
510	27185	FTG, ELBOW,	6
515	27188	FTG, TEE,	2
520	27186	FTG, CROSS ELBOW,	2
525	27231	FTG, DBL TEE,	2
535	27260	BOLT, LIFTING EYE, 3/8-16,	2
545	27261	FTG, No. 78 SHORT COLLAR,	2
540	27266	SPRING, CLIP 2, ZINC	2



SPECIFICATIONS

RAILS, POSTS: 6061 T6 ALUMINUM ALLOY 1 /14" I.D. SCH 40

FITS HATCH SIZES UP TO 48" X 48"

CHAIN: ZINC PLATED WITH SPRING CLIPS ON BOTH ENDS

COUNTERFLASH MOUNTING BRACKETS: 3/16" ZINC PLATED STEEL FASTENED TO STEEL BACKING PLATE

BOLTS: HEX HEAD BOLTS 3/8"-16 x 3/4" GRADE 5 ZINC PLATED

RAILING FITTINGS AND PLUGS: MANUFACTURER'S STANDARD CAST WITH SET SCREW HOLD

SRCA48X48FC

		TITLE: Safety Railings for Roof Hatch 48x48, Front Exit, Sngl Door, Aluminum, Chain,		
9300 73rd Avenue North Brooklyn Park, MN 55428		SIZE	DWG. NO.	REV
DRAWN	SJB	TODAY	B SRCA48X48FC	A
RELEASED	DWO	4/10/2018		
WEIGHT: Weight			SHEET 1 OF 1	

8

7

6

5

4

3

2

1