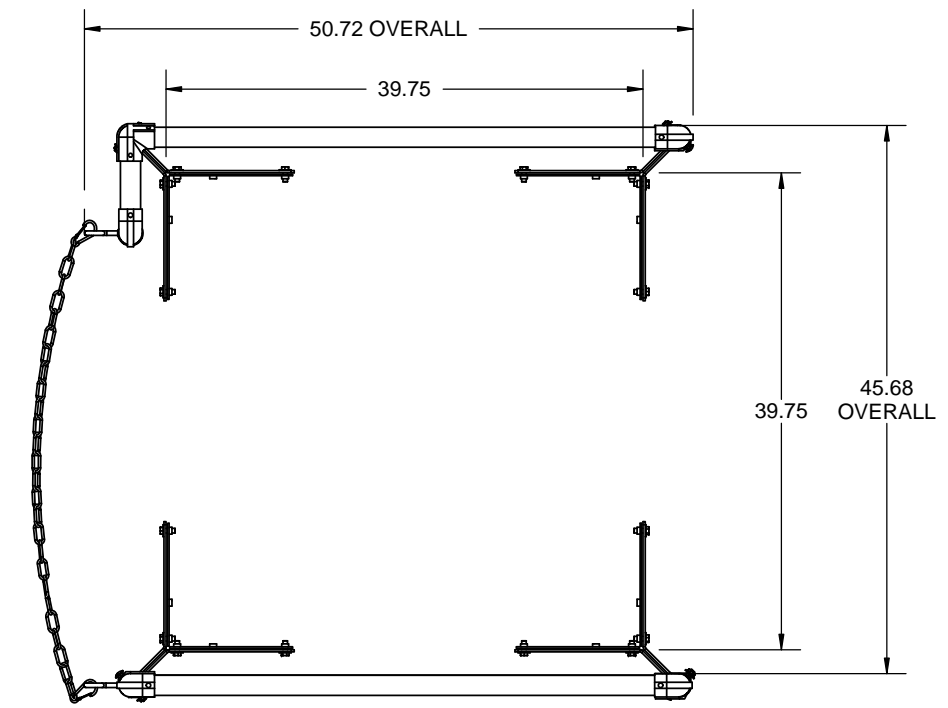
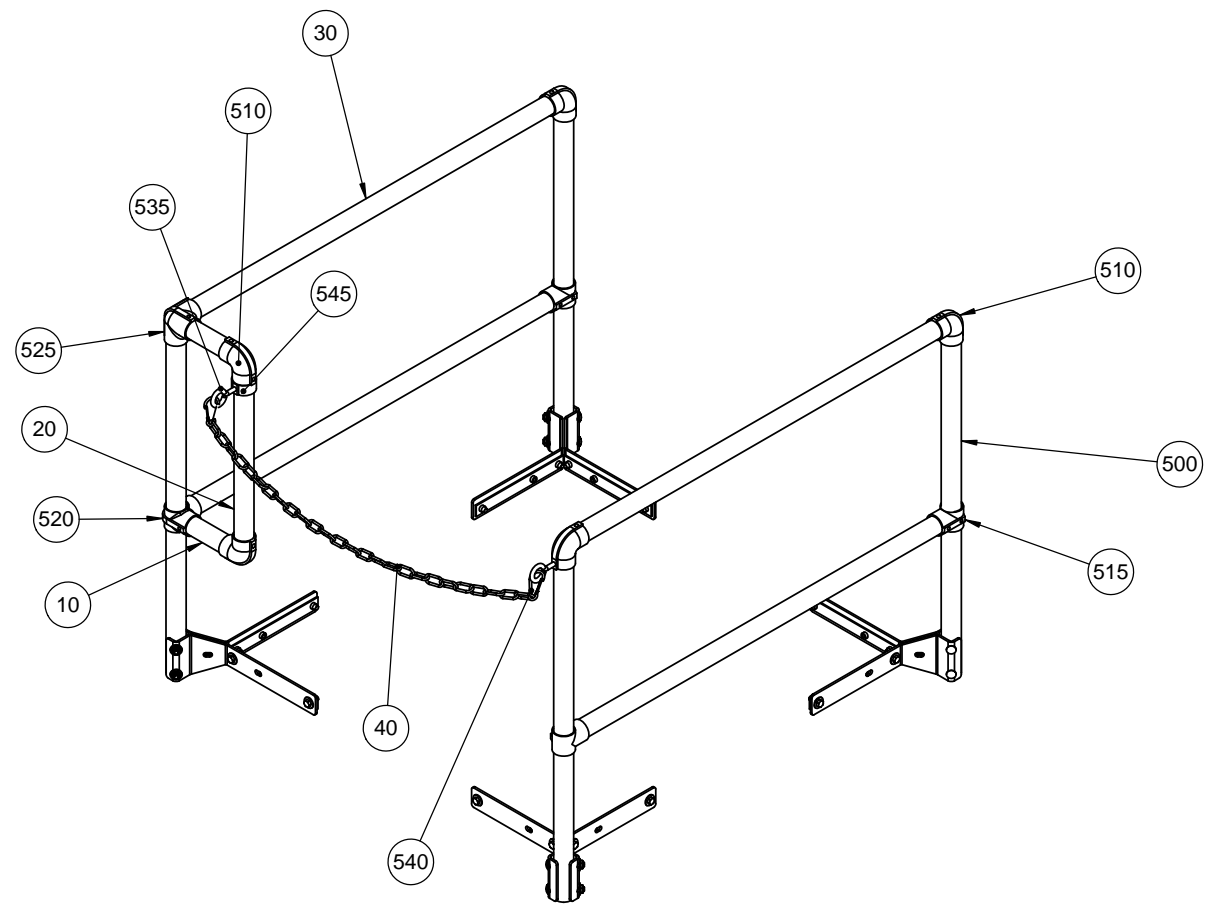


8 7 6 5 4 3 2 1

ITEM NO.	PART NUMBER	DESCRIPTION	QUANTITY
10	27496-6.00	RAIL, 1-1/4" X 6.00L,	2
20	27496-18.00	RAIL, 1-1/4" X 18.00L,	1
30	27496-43.75	RAIL, 1-1/4" X 43.75L,	4
40	1985-36.00	CHAIN, SAFETY, STL, ZPS	1
500	27180-A	PKG, CORNER POST, ZPS,	4
510	27185	FTG, ELBOW,	5
515	27188	FTG, TEE,	3
520	27186	FTG, CROSS ELBOW,	1
525	27231	FTG, DBL TEE,	1
535	27260	BOLT, LIFTING EYE, 3/8-16,	2
540	27266	SPRING, CLIP 2, ZINC	2
545	27261	FTG, No. 78 SHORT COLLAR,	1



SPECIFICATIONS

RAILS, POSTS: 6061 T6 ALUMINUM ALLOY 1 1/4" I.D. SCH 40

CHAIN: ZINC PLATED STEEL WITH CLIPS ON BOTH ENDS

COUNTERFLASH MOUNTING BRACKETS: 3/16" ZINC PLATED STEEL FASTENED TO STEEL BACKING PLATE

BOLTS: HEX HEAD BOLTS 3/8"-16 x 3/4" GRADE 5 ZINC PLATED

RAILING FITTINGS AND PLUGS: MANUFACTURER'S STANDARD CAST WITH SET SCREW HOLD

FITS HATCH SIZES UP TO 36" X 36"

SRCA36X36FC

		TITLE: Safety Railings for Roof Hatch 36X36, Front Exit, Alum, Mill, Chains		
		9300 73rd Avenue North Brooklyn Park, MN 55428		
NAME	DATE	SIZE	DWG. NO.	REV
DRAWN	SJB	TODAY	B SRCA36X36FC	A
RELEASED	DWO	4/10/2018	WEIGHT: Weight	SHEET 1 OF 1

8 7 6 5 4 3 2 1