

8

7

6

5

4

3

2

1

D

C

B

A

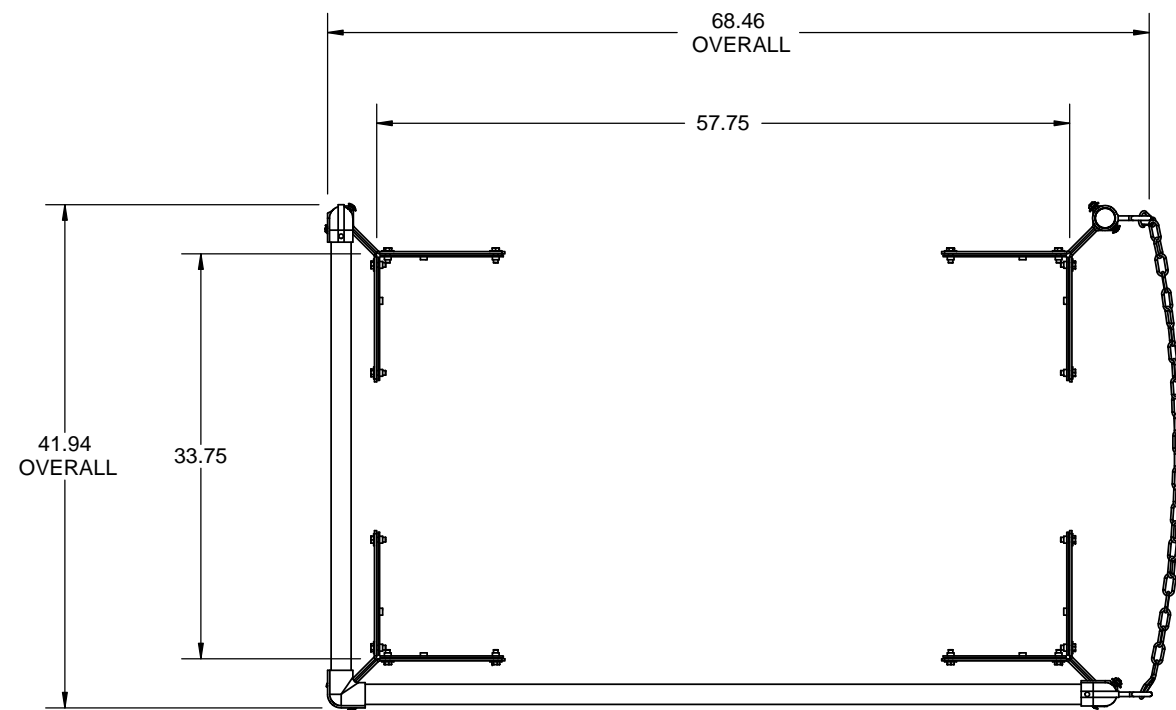
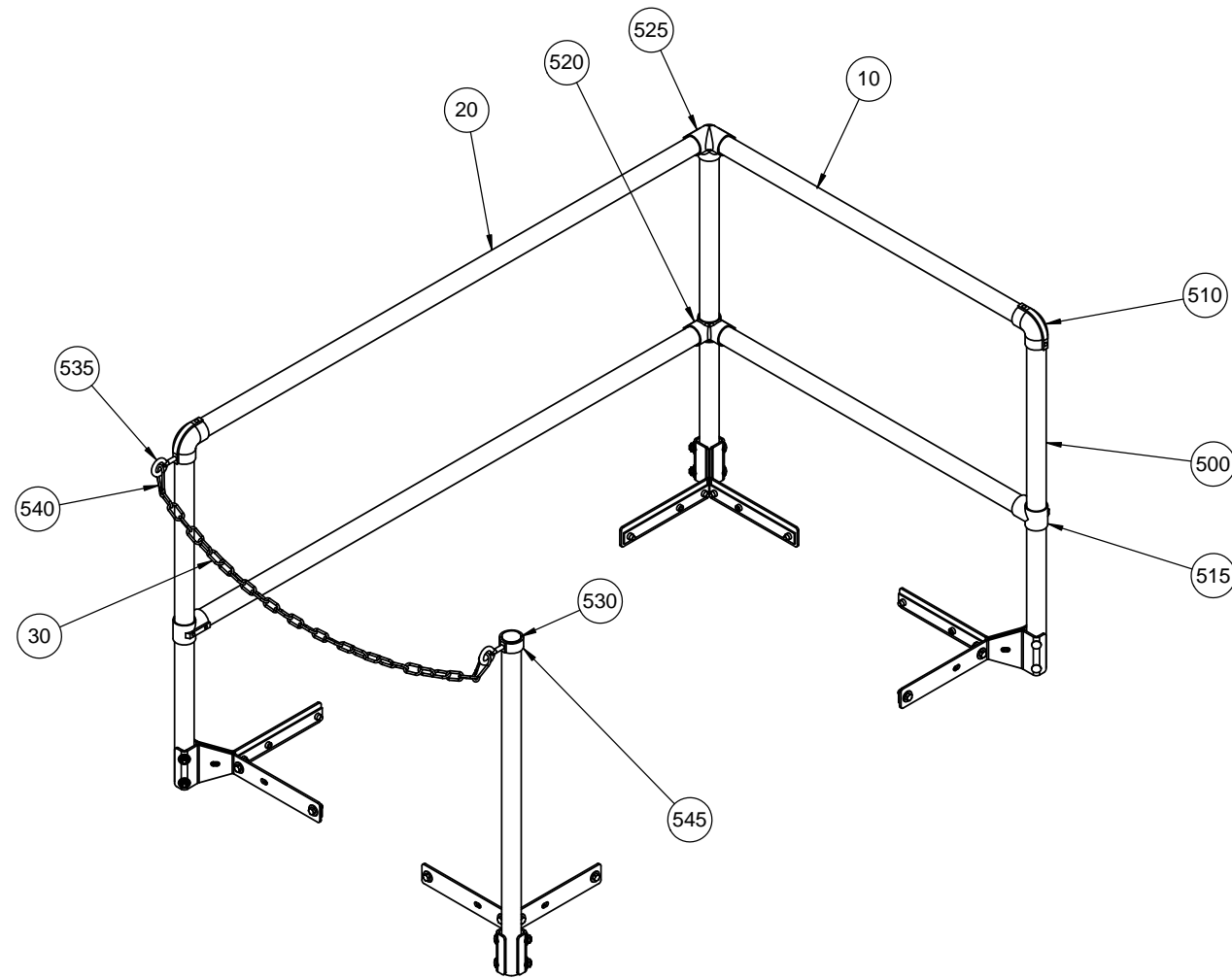
D

C

B

A

ITEM NO.	PART NUMBER	DESCRIPTION	QTY.
10	27496-37.75	RAIL, 1-1/4" X 37.75L	2
20	27496-61.50	RAIL, 1-1/4" X 61.50L	2
30	1985-36.00	CHAIN, SAFETY, STL, ZPS	1
500	27180-A	PKG, CORNER POST, ZPS,	4
510	27185	FTG, ELBOW,	2
515	27188	FTG, TEE,	2
520	27186	FTG, CROSS ELBOW,	1
525	27231	FTG, DBL TEE,	1
530	27189	FTG, END CAP	1
535	27260	BOLT, LIFTING EYE, 3/8-16,	2
540	27266	SPRING, CLIP 2, ZINC	2
545	27261	FTG, No. 78 SHORT COLLAR,	1



**SPECIFICATIONS**

RAILS, POSTS: 6061 T6 ALUMINUM ALLOY 1 1/4" I.D. SCH 40

CHAIN: ZINC PLATED STEEL WITH CLIPS ON BOTH ENDS

COUNTERFLASH MOUNTING BRACKETS: 3/16" ZINC PLATED STEEL FASTENED TO STEEL BACKING PLATE

BOLTS: HEX HEAD BOLTS 3/8"-16 x 3/4" GRADE 5 ZINC PLATED

RAILING FITTINGS AND PLUGS: MANUFACTURER'S STANDARD CAST WITH SET SCREW HOLD

FITS HATCH SIZES UP TO 30" X 54"

**SRCA30X54SC**

 9300 73rd Avenue North Brooklyn Park, MN 55428			TITLE: Safety Railings for Roof Hatch 30x54, Side Exit, Sngl Door Alum, Mill, Chains		
			SIZE	DWG. NO.	
DRAWN	SJB	TODAY	<b>B</b> SRCA30X54SC		<b>A</b>
RELEASED	DWO	4/10/2018	WEIGHT: Weight		SHEET 1 OF 1

8

7

6

5

4

3

2

1