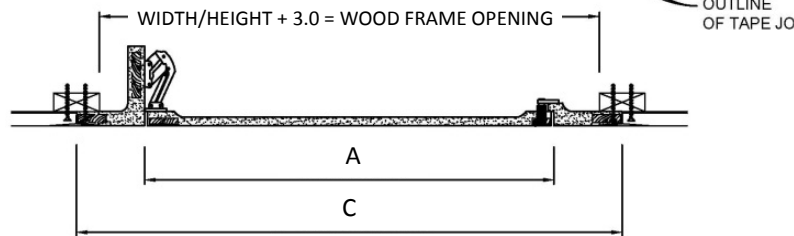
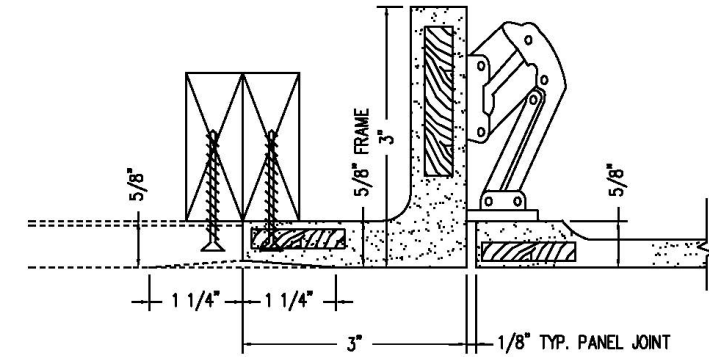
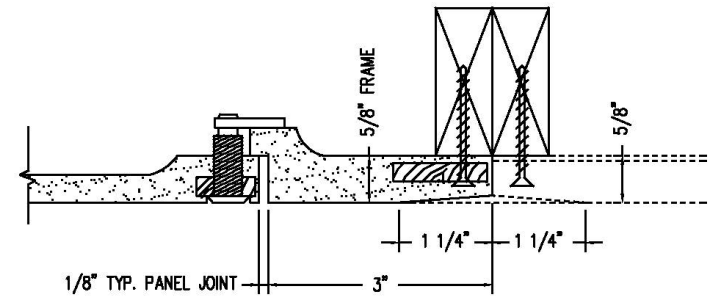
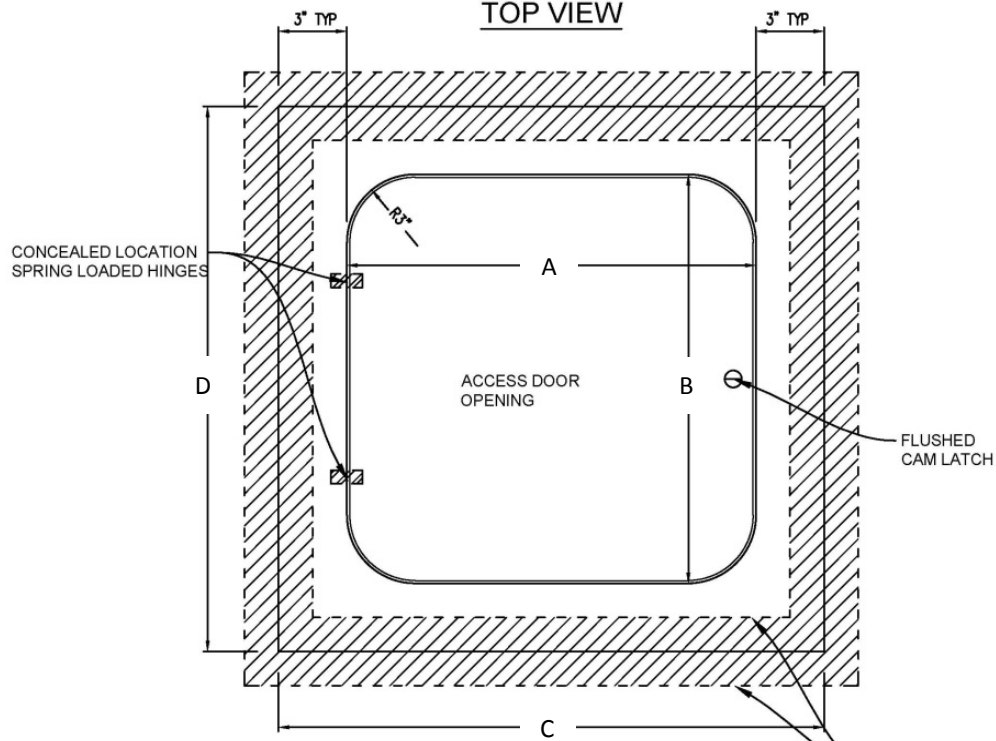


TOP VIEW



SECTION VIEW

MATERIALS/TECHNICAL DATA:

- High Density Gypsum Cement Plaster, Natural White
- Post-Consumer Recycled Glass (70% by volume)
- Multi-layered Fiberglass Mat
- Plywood Embedment
- Flush Cam Latch
- Concealed Spring Hinge, (2)

OPTIONS:

- 1/2" X 1/8" Neoprene Gasket

QTY	PART #	DIM A (DOOR WIDTH)	DIM B (DOOR HEIGHT)	DIM C (DRYWALL OPENING WIDTH)	DIM D (DRYWALL OPENING HEIGHT)
	GFRRC-0909	9.0"	9.0"	15.0"	15.0"
	GFRRC-1212	12.0"	12.0"	18.0"	18.0"
	GFRRC-1616	16.0"	16.0"	22.0"	22.0"
	GFRRC-1818	18.0"	18.0"	24.0"	24.0"

PROJECT:			
ARCHITECT:			
CONTRACTOR:			
QTY:			
PART#:			
 9300 73rd Avenue North Brooklyn Park, MN 55428		TITLE:	
NAME	DATE	SIZE	DWG. NO.
RELEASED		A	
			REV
			-
			SHEET 1

PROPRIETARY AND CONFIDENTIAL: THE INFORMATION CONTAINED IN THIS DRAWING IS THE SOLE PROPERTY OF BABCOCK-DAVIS. ANY REPRODUCTION IN PART OR AS A WHOLE WITHOUT THE WRITTEN PERMISSION OF BABCOCK-DAVIS IS PROHIBITED.