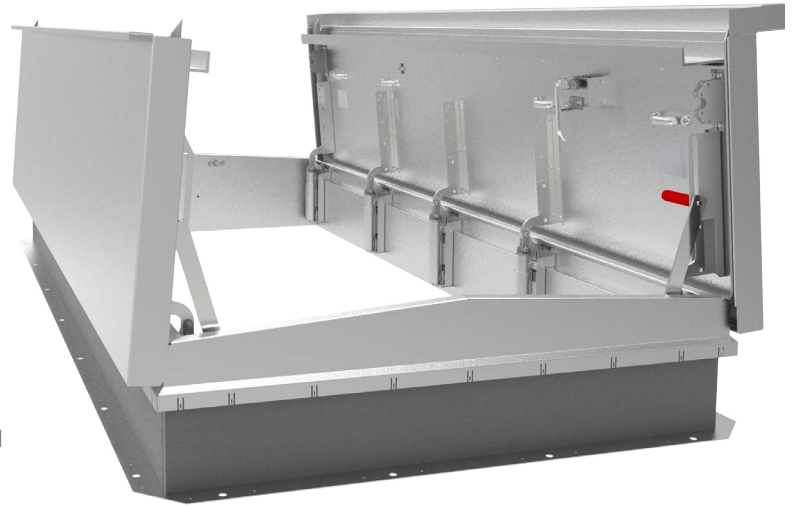


# Equipment

## HATCH

Babcock-Davis' Equipment Roof Hatch is engineered to accommodate extra large equipment access through roofs. With options like curb mounting and varied curb heights Babcock-Davis is sure to meet your equipment servicing needs.



### FEATURES

**LARGEST CLEAR OPENING** Industry's largest clear opening allows equipment up to 14' by 20' to be installed and serviced through the roof of your building.

**STAINLESS STEEL MATERIAL** Upgrade to corrosion resistant 304 stainless steel for corrosive environments such as waste water treatment facilities and coastal areas.

### DETAILS

#### MATERIAL

- Aluminum: 11 gauge, mill finish
- Steel: 14 gauge galvaneal, powder coat
- Stainless Steel: Type 304 14 gauge, 2B matte finish

**COVER** Formed metal cover withstands a live load of 40psf with a max deflection of 1/150 the span

**CURB** Single wall curb with EZ tab counterflash and mounting flange

**INSULATION** 1 inch fiberglass in cover, 1 inch polyiso around curb

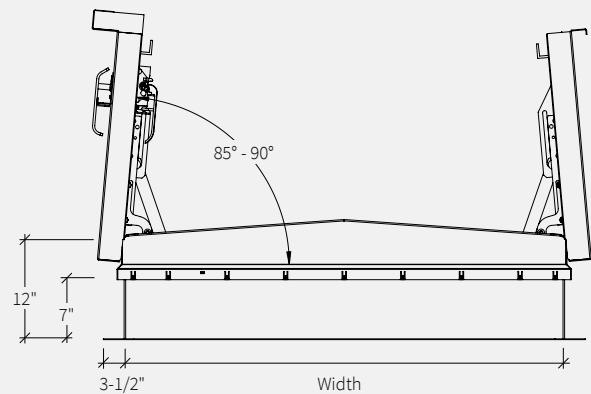
**GASKET** Extruded EPDM adhesive backed gasket seal continuous around cover

**SPRING/HINGE ASSEMBLY** Zinc plated steel tamper-proof hinge contained within spring assembly, includes steel compression spring

**HOLD OPEN ARM** Zinc plated steel automatic hold open arm with red vinyl grip handle locks cover in open position

**LATCH** Zinc plated steel latch with exterior and interior turn handles and padlock hasps

### FINISHES



### STANDARD MODELS

GALVANIZED STEEL	ALUMINUM	STAINLESS STEEL	SIZE (IN.)	DOOR	CURB
BRHEG48X48S1T	BRHEA48X48S1T	BRHES48X48S1T	48 x 48	Single	Single Wall
BRHEG60X60D1T	BRHEA60X60D1T	BRHES60X60D1T	60 x 60	Double	Single Wall
BRHEG72X72D1T	BRHEA72X72D1T	BRHES72X72D1T	72 x 72	Double	Single Wall
BRHEG60X120D1T	BRHEA60X120D1T	BRHES60X120D1T	60 x 120	Double	Single Wall

Additional sizes and options available, call for more information.