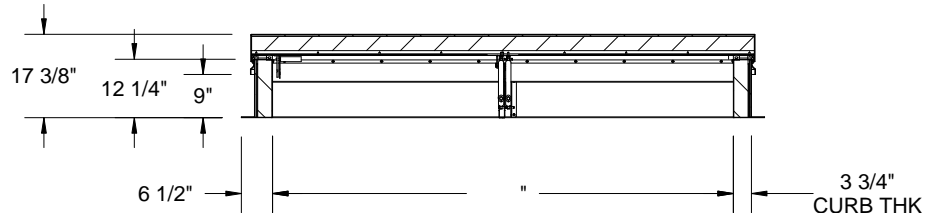
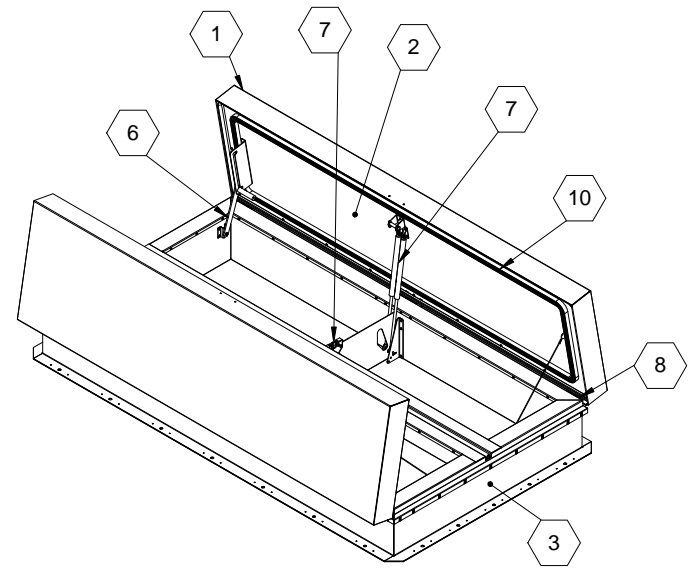


SECTION B-B



SECTION A-A

SPECIFICATIONS:

- ① COVER: 14 GAUGE GALVANNEAL COVER STIFFENED TO WITHSTAND A LIVE LOAD OF 40 PSF WITH A MAX DEFLECTION OF 1/150 OF THE SPAN
- ② LINER: 14 GAUGE GALVANNEAL
- ③ CURB AND COUNTERFLASH W/ EZ TAB: DBL WALL CURB, 14 GAUGE GALVANNEAL
- ④ FINISH: COVER - POWDER COAT, HIGH REFLECT WHITE EXTERIOR, BLACK INTERIOR CURB - POWDER COAT, BLACK
- ⑤ GAS SPRING WITH DAMPER: DESIGNED TO OPEN AGAINST A 10PSF SNOW LOAD IN NOT LESS THAN 2 SECONDS
- ⑥ HOLD OPEN ARM: LOCKS COVER IN FULLY OPEN POSITION - ZINC PLATED STEEL
- ⑦ LATCH: ZINC PLATED ROTARY LATCH ASSEMBLY DESIGNED TO HOLD COVERS CLOSED AGAINST 90 PSF WIND UPLIFT ZINC PLATED STEEL LATCH STRIKERS ON COVERS

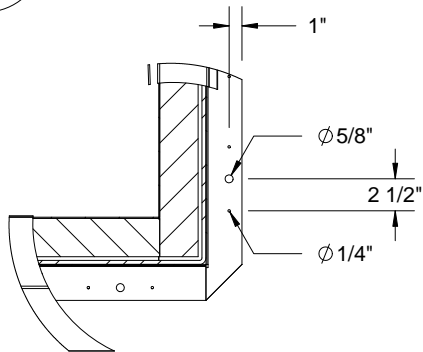
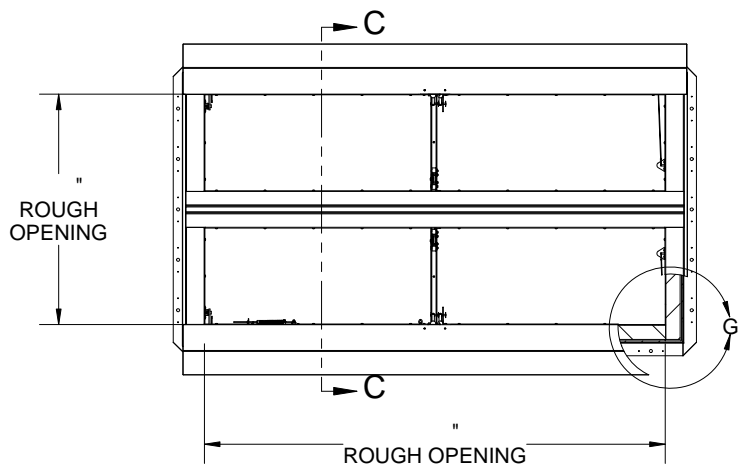
- ⑧ HINGES: 304 STAINLESS STEEL BUTT HINGE WITH 1/4" PIN
- ⑨ INSULATION: MINERAL WOOL W/ SOUND MAT, R-VALUE 14
- ⑩ GASKETS: ADHESIVE BACKED EPDM RUBBER EXTRUSION ON CURB AND COVER
- ⑪ THERMAL RELEASE MECHANISM: VENT COVERS OPEN THERMALLY BY HEAT AT FUSIBLE LINK TEMPERATURE 165F °F
- ⑫ MANUAL OPERATION: VENT COVERS OPEN WITH INTERNAL AND EXTERNAL MANUAL PULL HANDLES, 1/16" DIA SST CABLE, CLOSE VENT AT ROOFTOP
- ⑬ ELECTRICAL RELEASE: NONE
- ⑭ BURGLAR BARS: NONE
- ⑮ SOUND RATING: STC50 PER ASTM E90, OITC 39 PER ASTM E1332

SMOKE VENT SIZE      "(WIDTH) x      "(LENGTH)  
EFFECTIVE VENTING AREA 80%

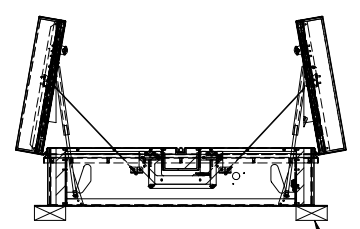


PROJECT:			
ARCHITECT:			
CONTRACTOR:			
QTY:			
PART#:			
		TITLE: Smoke Vent, Acoustical STC50,	
		Galv Steel, Balck Pwd, Wht Pwd Cvr Ext, Dbl Wall Curb	
9300 73rd Avenue North Brooklyn Park, MN 55428		NAME	DATE
DRAWN	ELW	4/15/14	A
RELEASED	ELW	4/15/14	SIZE
WEIGHT: VARIES		DWG. NO.	
SHEET 1 OF 2		REV A	

PROPRIETARY AND CONFIDENTIAL: THE INFORMATION CONTAINED IN THIS DRAWING IS THE SOLE PROPERTY OF BABCOCK-DAVIS. ANY REPRODUCTION IN PART OR AS A WHOLE WITHOUT THE WRITTEN PERMISSION OF BABCOCK-DAVIS IS PROHIBITED.

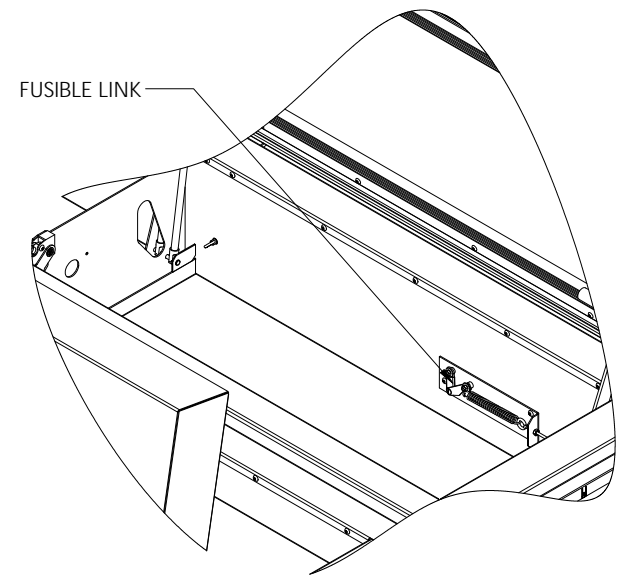


DETAIL G  
SCALE 1 : 15



SECTION C-C

CONCRETE/WOOD/OTHER  
MATERIAL PROVIDED BY OTHER  
NIC



			TITLE: Smoke Vent, Acoustical STC50, Galv Steel, Balck Pwd, Wht Pwd Cvr Ext, Dbl Wall Curb		
9300 73rd Avenue North Brooklyn Park, MN 55428			DWG. NO.	REV A	
DRAWN ELW	NAME ELW	DATE 4/15/14	SIZE A	WEIGHT: VARIES	
RELEASED ELW	NAME ELW	DATE 4/15/14	DWG. NO.	SHEET 2 OF 2	