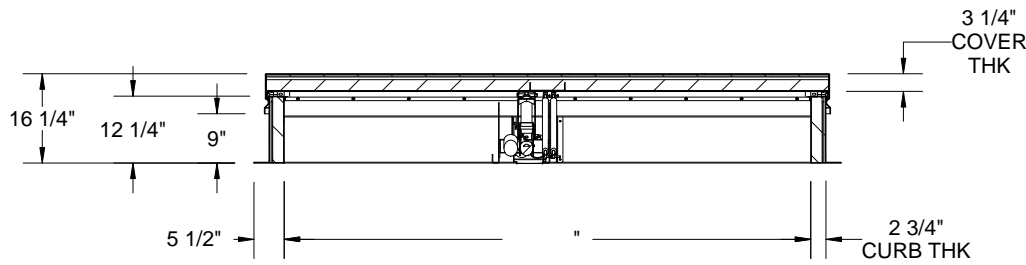
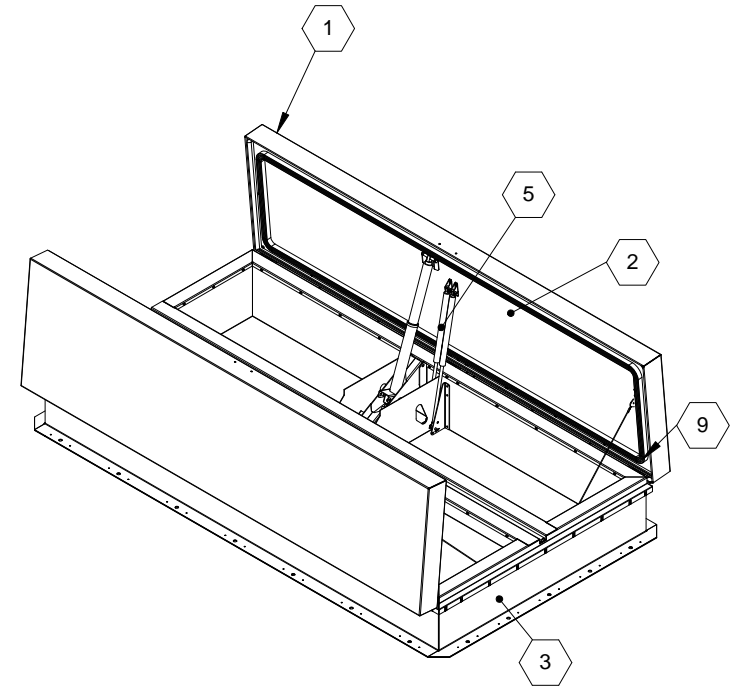


SECTION B-B



SECTION A-A

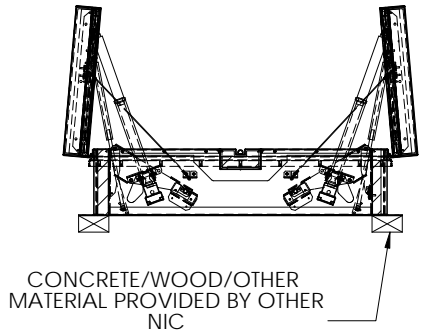
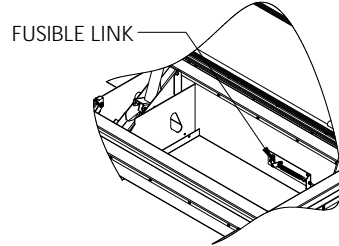
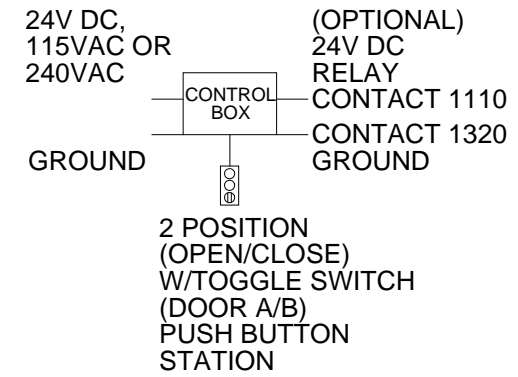
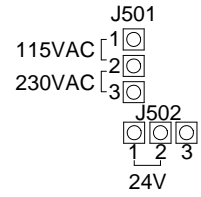
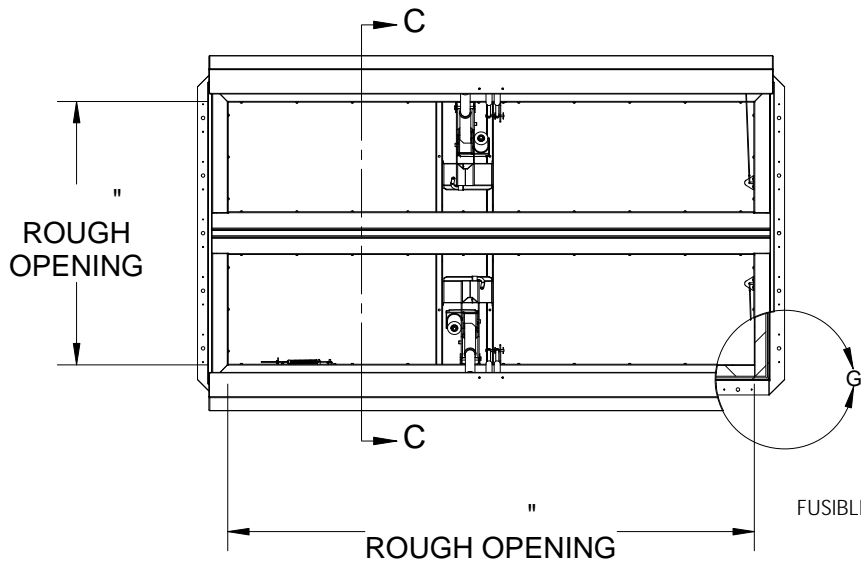
SPECIFICATIONS:

- ① COVER: 14 GAUGE GALVANNEAL COVER STIFFENED TO WITHSTAND A LIVE LOAD OF 40 PSF WITH A MAX DEFLECTION OF 1/150 OF THE SPAN
- ② LINER: 14 GAUGE GALVANNEAL
- ③ CURB AND COUNTERFLASH W/ EZ TAB: DBL WALL CURB, 14 GAUGE GALVANNEAL
- ④ FINISH: COVER -POWDER COAT, HIGH REFLECTANCE WHITE EXTERIOR, BLACK INTERIOR
CURB - POWDER COAT, BLACK
- ⑤ GAS SPRING WITH DAMPER: DESIGNED TO OPEN AGAINST A 10PSF SNOW LOAD IN NOT LESS THAN 2 SECONDS
- ⑥ LATCH: ZINC PLATED ROTARY LATCH ASSEMBLY DESIGNED TO HOLD COVERS CLOSED AGAINST 90 PSF WIND UPLIFT ZINC PLATED STEEL LATCH STRIKERS ON COVERS
- ⑦ HINGES: 304 STAINLESS STEEL BUTT HINGE WITH 1/4" PIN
- ⑧ INSULATION: MINERAL WOOL W/ SOUND MAT, R-VALUE 10
- ⑨ GASKETS: ADHESIVE BACKED EPDM RUBBER EXTRUSION ON CURB AND COVER
- ⑩ THERMAL RELEASE MECHANISM: VENT COVERS OPEN THERMALLY BY HEAT AT FUSIBLE LINK TEMPERATURE 165F °F
- ⑪ MANUAL OPERATION: VENT COVERS OPEN WITH INTERNAL AND EXTERNAL MANUAL PULL HANDLES, 1/16" DIA SST CABLE, CLOSE VENT AT ROOFTOP
- ⑫ ELECTRICAL RELEASE: NONE
- ⑬ BURGLAR BARS: NONE
- ⑭ SOUND RATING: STC48 PER ASTM E90, OITC 36 PER ASTM E1332

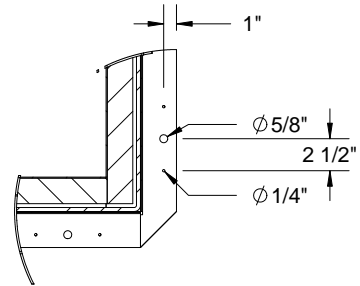
SMOKE VENT SIZE "(WIDTH) x "(LENGTH)
EFFECTIVE VENTING AREA 80%

PROPRIETARY AND CONFIDENTIAL: THE INFORMATION CONTAINED IN THIS DRAWING IS THE SOLE PROPERTY OF BABCOCK-DAVIS. ANY REPRODUCTION IN PART OR AS A WHOLE WITHOUT THE WRITTEN PERMISSION OF BABCOCK-DAVIS IS PROHIBITED.

PROJECT:			
ARCHITECT:			
CONTRACTOR:			
QTY:			
PART#:			
		TITLE: Smoke Vent, AcousticMAX	
		Galvn Steel, Black Pwd, High Reflect Wht Pwd Cvr Ext, Dbl Wall Curb	
9300 73rd Avenue North Brooklyn Park, MN 55428			
NAME	DATE	SIZE	DWG. NO.
ELW		A	
RELEASED	ELW	WEIGHT: VARIES	
			REV A
			SHEET 1 OF 2



SECTION C-C



DETAIL G
SCALE 1 : 15

			TITLE: Smoke Vent, AcousticMAX Galvn Steel, Black Pwd, High Reflect Wht Pwd Cvr Ext, Dbl Wall Curb		
9300 73rd Avenue North Brooklyn Park, MN 55428					
NAME	DATE	SIZE	DWG. NO.	REV	
DRAWN	ELW		A	A	
RELEASED	ELW		WEIGHT: VARIES	SHEET 2 OF 2	

PROPRIETARY AND CONFIDENTIAL: THE INFORMATION CONTAINED IN THIS DRAWING IS THE SOLE PROPERTY OF BABCOCK-DAVIS. ANY REPRODUCTION IN PART OR AS A WHOLE WITHOUT THE WRITTEN PERMISSION OF BABCOCK-DAVIS IS PROHIBITED.