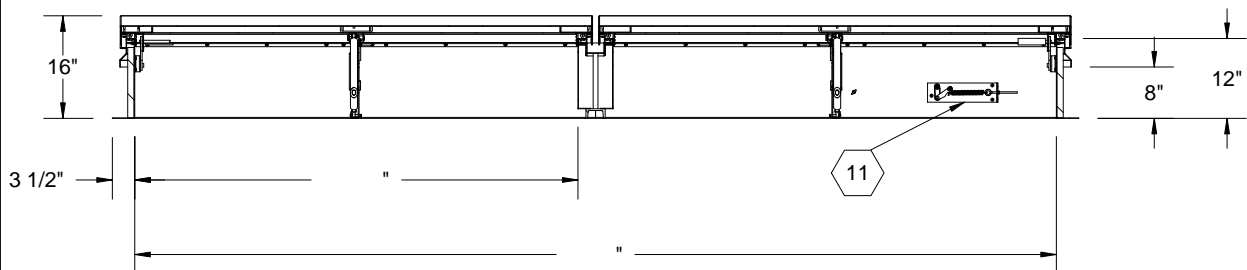
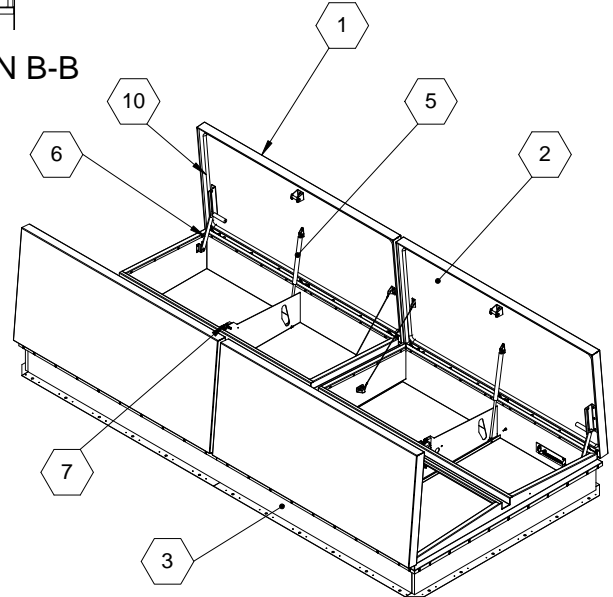


SECTION B-B



SECTION A-A



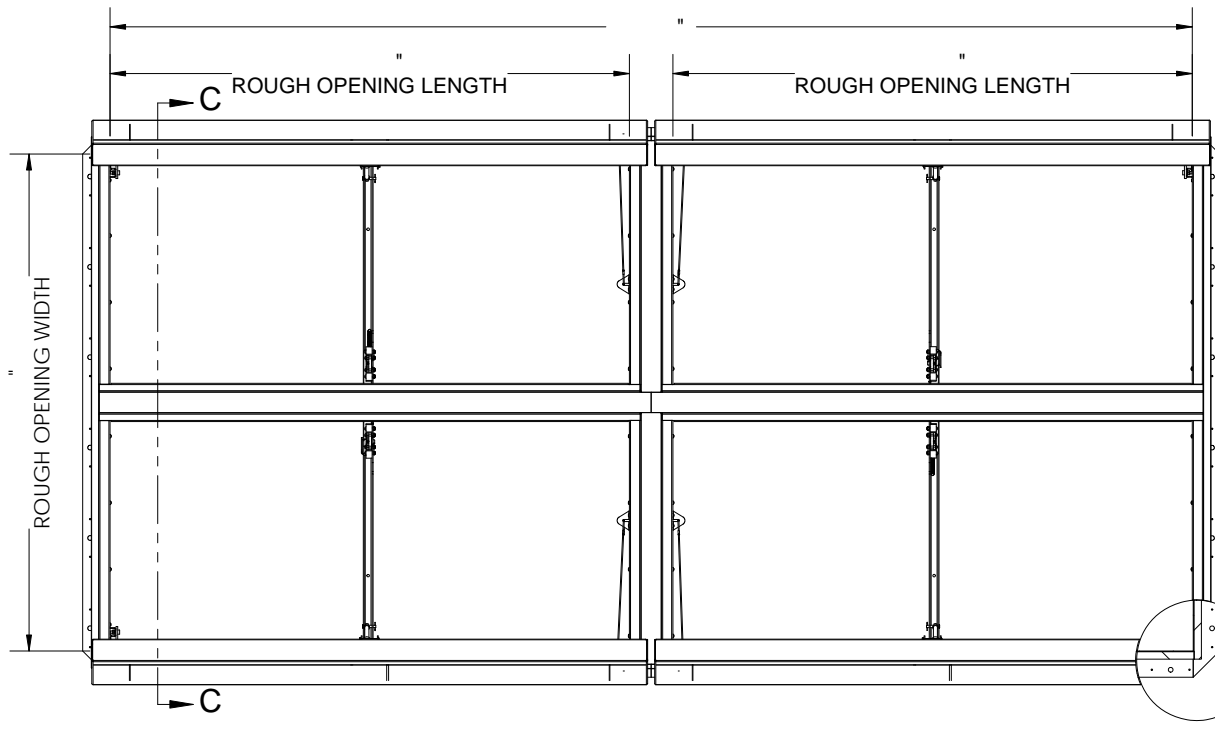
SPECIFICATIONS:

- ① COVER: 14 GAUGE GALVANNEAL COVER STIFFENED TO WITHSTAND A LIVE LOAD OF 40 PSF WITH A MAX DEFLECTION OF 1/150 OF THE SPAN
- ② LINER: 22 GAUGE GALVANNEAL
- ③ CURB AND COUNTERFLASH W/ EZ TAB: 14 GAUGE GALVANNEAL
- ④ FINISH: COVER - POWDER COAT PAINT, HIGH REFLECTANCE WHITE
CURB - POWDER COAT PAINT, HIGH REFLECTANCE WHITE
- ⑤ GAS SPRING WITH DAMPER: DESIGNED TO OPEN AGAINST A 10PSF SNOW LOAD IN NOT LESS THAN 2 SECONDS
- ⑥ HOLD OPEN ARM: LOCK COVER IN FULLY OPEN POSITION - ZINC PLATED STEEL
- ⑦ LATCH: ZINC PLATED ROTARY LATCH ASSEMBLY DESIGNED TO HOLD COVERS CLOSED AGAINST 90 PSF PSF WIND UPLIFT ZINC PLATED STEEL LATCH STRIKERS ON COVERS
- ⑧ HINGES: ZINC PLATED STEEL WITH STAINLESS STEEL HINGE PINS
- ⑨ INSULATION: 1" POLYISOCYANURATE IN COVER AND AROUND CURBING PERIMETER, R-VALUE 6
- ⑩ GASKET: ADHESIVE BACKED EPDM RUBBER EXTRUSION
- ⑪ THERMAL RELEASE MECHANISM: VENT COVERS OPEN THERMALLY BY HEAT AT FUSIBLE LINK TEMPERATURE °F
- ⑫ MANUAL OPENING: VENT COVERS OPEN WITH INTERNAL AND EXTERNAL MANUAL PULL HANDLE, 1/16" DIA SST CABLE
- ⑬ ELECTRICAL RELEASE: VENT COVERS OPEN ELECTRICALLY WHEN ENERGIZED WITH No Electrical Tie In
- ⑭ BURGLAR BARS: NONE

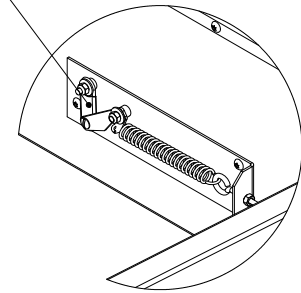
SMOKE VENT SIZE "(WIDTH) x "(LENGTH)
EFFECTIVE VENTING AREA 80% SQFT

PROJECT:				
ARCHITECT:				
CONTRACTOR:				
QTY:				
PART#:	BSVSW X Q1N R			
babcockdavis	TITLE: Smoke Vent, SmokEscape Series Galvanneal, Quad Door, Single Wall Curb, Non-Electrical			
9300 73rd Avenue North Brooklyn Park, MN 55428				
NAME	DATE	SIZE	DWG. NO.	REV
DRAWN SGS	11/23/11	A	BSVSW_X_Q1N_R	-
RELEASED IMT	11/23/11	WEIGHT: VARIES LBS	SHEET 1 OF 2	

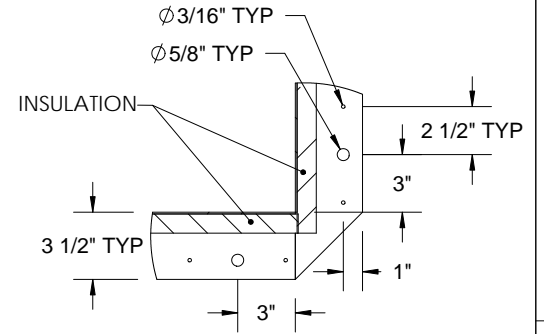
PROPRIETARY AND CONFIDENTIAL: THE INFORMATION CONTAINED IN THIS DRAWING IS THE SOLE PROPERTY OF BABCOCK-DAVIS. ANY REPRODUCTION IN PART OR AS A WHOLE WITHOUT THE WRITTEN PERMISSION OF BABCOCK-DAVIS IS PROHIBITED.



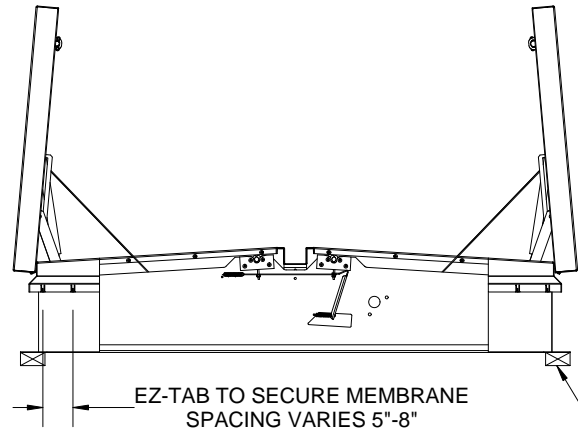
FUSIBLE LINK



SPACING VARIES 8-15"



DETAIL D



SECTION C-C

CONCRETE/WOOD/OTHER MATERIAL PROVIDED BY OTHER NIC

SMOKE VENT COVER OPENS WHEN ACTIVATED BY:

- A. THERMAL RELEASE MECHANISM:** RELEASED BY HEAT WITH A UL LISTED FUSIBLE LINK AT TEMPERATURE °F
OPTIONS: 165 °F, 212 °F, 280 °F, 350 °F, 360 °F, 370 °F, 386 °F, 450 °F
- B. MANUAL OPENING:** RELEASED BY EXTERNAL AND INTERNAL PULL CABLES WITH HANDLES AND 5FT OF INTERNAL CABLE PROVIDED

SMOKE VENT COVER CLOSED MANUALLY FROM ROOFTOP

			TITLE: Smoke Vent, SmokEscape Series Galvanneal, Quad Door, Single Wall Curb, Non-Electrical																	
9300 73rd Avenue North Brooklyn Park, MN 55428			REV <table border="1"> <tr> <td>NAME</td> <td>DATE</td> <td>SIZE</td> <td>DWG. NO.</td> <td>REV</td> </tr> <tr> <td>SGS</td> <td>11/23/11</td> <td>A</td> <td>BSVSW_X_Q1N_R</td> <td>-</td> </tr> <tr> <td>IMT</td> <td>11/23/11</td> <td></td> <td>WEIGHT: VARIES LBS</td> <td></td> </tr> </table>			NAME	DATE	SIZE	DWG. NO.	REV	SGS	11/23/11	A	BSVSW_X_Q1N_R	-	IMT	11/23/11		WEIGHT: VARIES LBS	
NAME	DATE	SIZE	DWG. NO.	REV																
SGS	11/23/11	A	BSVSW_X_Q1N_R	-																
IMT	11/23/11		WEIGHT: VARIES LBS																	
DRAWN			SHEET 2 OF 2																	