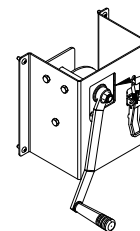
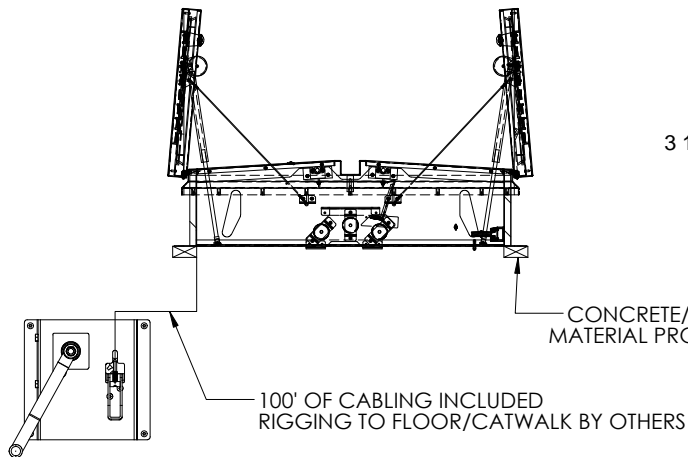


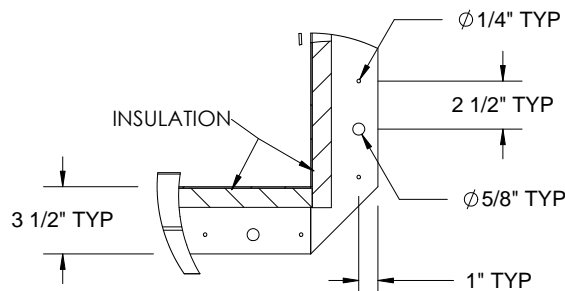
UPPER WINCH ASSEMBLY TO FACILITATE RESETTING AFTER THERMAL/EXTERNAL/ELECTRICAL MANUAL RELEASE



LOWER WINCH ASSEMBLY TO MANUALLY OPEN AND CLOSE SMOKE VENTS



SECTION C-C



DETAIL D

| | | | | | |
|---|---------|----------------|--|-----------------------------|-----|
| | | | | TITLE: Smoke Vent, SafeMAX, | |
| | | | | Galv, High Relect Wht Pwd, | |
| 9300 73rd Avenue North Brooklyn Park, MN 55428 | | | | DWG. NO. | REV |
| NAME | DATE | SIZE | | | |
| DRAWN ELW | 4/15/14 | A | | | A |
| RELEASED ELW | 4/15/14 | WEIGHT: VARIES | | SHEET 2 OF 2 | |