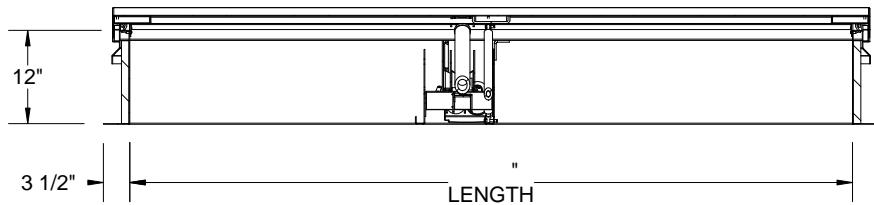
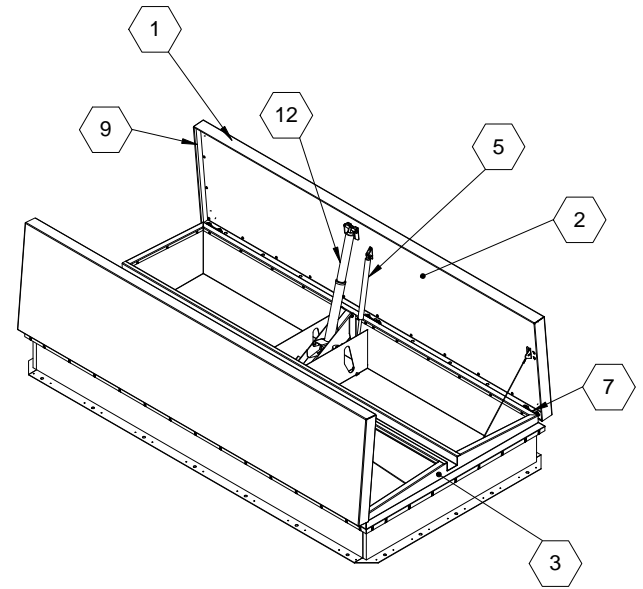


SECTION B-B




SECTION A-A

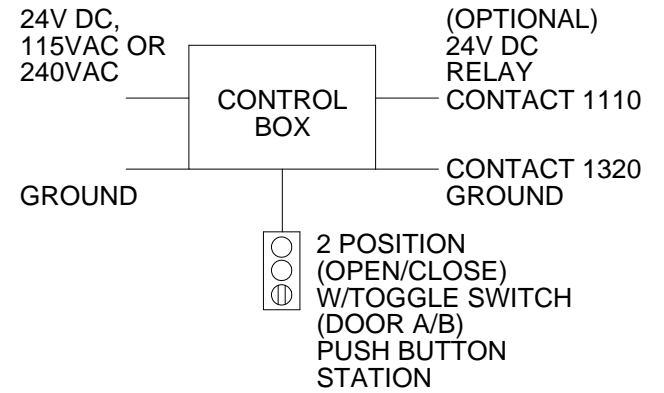
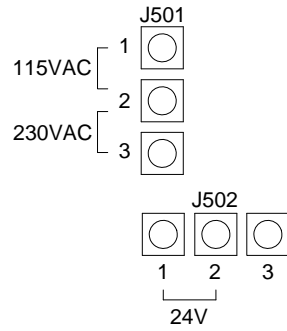
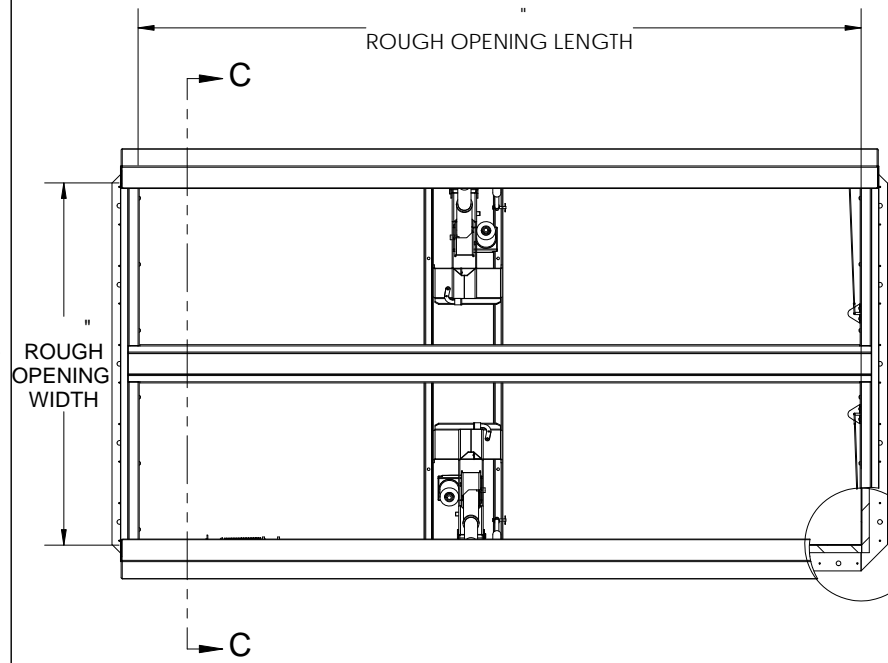
SPECIFICATIONS:

- ① **COVER:** 14 GAUGE GALVANNEAL COVER STIFFENED TO WITHSTAND A LIVE LOAD OF 40 PSF WITH A MAX DEFLECTION OF 1/150 OF THE SPAN
- ② **LINER:** 22 GAUGE GALVANNEAL
- ③ **CURB AND COUNTERFLASH W/ EZ TAB:** 14 GAUGE GALVANNEAL
- ④ **FINISH:** COVER - PWD COAT, HIGH REFLECTANCE WHITE
CURB - PWD COAT, HIGH REFLECTANCE WHITE
- ⑤ **GAS SPRING WITH DAMPER:** DESIGNED TO OPEN AGAINST A 10PSF SNOW LOAD IN NOT LESS THAN 2 SECONDS
- ⑥ **LATCH:** ZINC PLATED ROTARY LATCH ASSEMBLY DESIGNED TO HOLD COVERS CLOSED AGAINST 30 PSF WIND UPLIFT ZINC PLATED STEEL LATCH STRIKERS ON COVERS
- ⑦ **HINGES:** ZINC PLATED STEEL WITH STAINLESS STEEL HINGE PINS
- ⑧ **INSULATION:** 1" Polyiso curb (R5.6), 1" Polyiso cover (R5.6)
- ⑨ **GASKET:** ADHESIVE BACKED EPDM RUBBER EXTRUSION
- ⑩ **THERMAL RELEASE MECHANISM:** VENT COVERS OPEN THERMALLY BY HEAT AT FUSIBLE LINK TEMPERATURE 165F °F
- ⑪ **MANUAL OPERATION:** VENT COVERS OPEN WITH INTERNAL AND EXTERNAL MANUAL PULL HANDLES, 1/16" DIA SST CABLE, CLOSE VENT AT ROOFTOP OR WITH ELECTRICAL CONTROLLER
- ⑫ **ELECTRICAL CONTROL:** LINEAR ACTUATORS OPERATE THE DOORS OPEN AND CLOSED CONTROLLED BY A USER PUSH BUTTON STATION. SYSTEM CAN BE POWERED BY 24V DC OR 115/230VAC AT 50/60HZ.
- ⑬ **BURGLAR BARS:** None

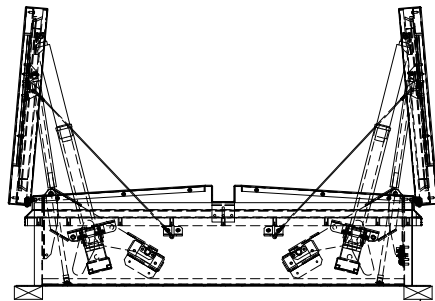
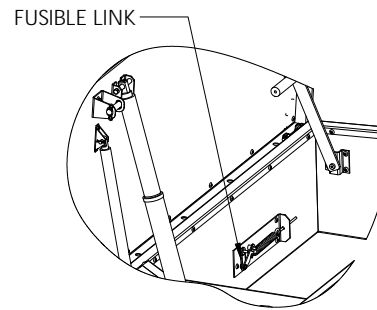
SMOKE VENT SIZE "(WIDTH) x "(LENGTH)
EFFECTIVE VENTING AREA 80%

PROPRIETARY AND CONFIDENTIAL: THE INFORMATION CONTAINED IN THIS DRAWING IS THE SOLE PROPERTY OF BABCOCK-DAVIS. ANY REPRODUCTION IN PART OR AS A WHOLE WITHOUT THE WRITTEN PERMISSION OF BABCOCK-DAVIS IS PROHIBITED.

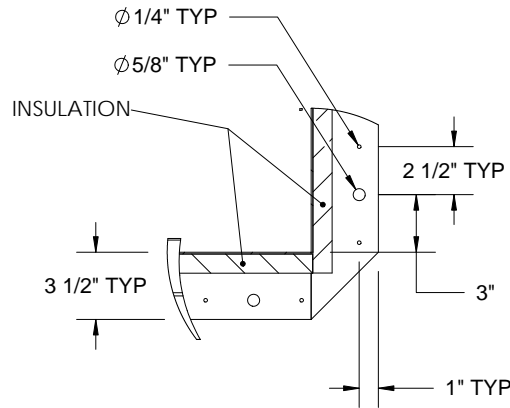
PROJECT:			
ARCHITECT:			
CONTRACTOR:			
QTY:			
PART#:			
		TITLE: Smoke Vent, SafeMAX	
		Galvn, High Reflect Wht Pwd, Sngl Wall Curb	
9300 73rd Avenue North Brooklyn Park, MN 55428			
NAME	DATE	SIZE	DWG. NO.
ELW		A	
RELEASED	ELW	WEIGHT: VARIES	
			REV A
			SHEET 1 OF 2



WIRING DIAGRAM



SECTION C-C



DETAIL D

				TITLE: Smoke Vent, SafeMAX	
9300 73rd Avenue North Brooklyn Park, MN 55428				Galvn, High Reflect Wht Pwd, Sngl Wall Curb	
NAME	DATE	SIZE	DWG. NO.	REV	
DRAWN	ELW		A	A	
RELEASED	ELW		WEIGHT: VARIES	SHEET 2 OF 2	