

SECTION A-A

**SPECIFICATIONS:**

① **COVER:** 11 GAUGE ALUMINUM COVER STIFFENED TO WITHSTAND A LIVE LOAD OF 40 PSF WITH A MAX DEFLECTION OF 1/150 OF THE SPAN

② **LINER:** 18 GAUGE ALUMINUM

③ **CURB AND COUNTERFLASH W/ EZ TAB:** 11 GAUGE ALUMINUM

④ **FINISH:** COVER - Mill  
CURB - Mill

⑤ **GAS SPRING WITH DAMPER:** DESIGNED TO OPEN AGAINST A 10PSF SNOW LOAD IN NOT LESS THAN 2 SECONDS

⑥ **LATCH:** ZINC PLATED ROTARY LATCH ASSEMBLY DESIGNED TO HOLD COVERS CLOSED AGAINST 30 PSF WIND UPLIFT ZINC PLATED STEEL LATCH STRIKERS ON COVERS

⑦ **HINGES:** ZINC PLATED STEEL WITH STAINLESS STEEL HINGE PINS

⑧ **INSULATION:** 1" Polyiso curb (R5.6), 1" Polyiso cover (R5.6)

⑨ **GASKET:** ADHESIVE BACKED EPDM RUBBER EXTRUSION

⑩ **THERMAL RELEASE MECHANISM:** VENT COVERS OPEN THERMALLY BY HEAT AT FUSIBLE LINK TEMPERATURE 165F °F  
⑪ **MANUAL OPERATION:** VENT COVERS OPEN WITH INTERNAL AND EXTERNAL MANUAL PULL HANDLES, 1/16" DIA SST CABLE, CLOSE VENT AT ROOFTOP OR WITH ELECTRICAL CONTROLLER

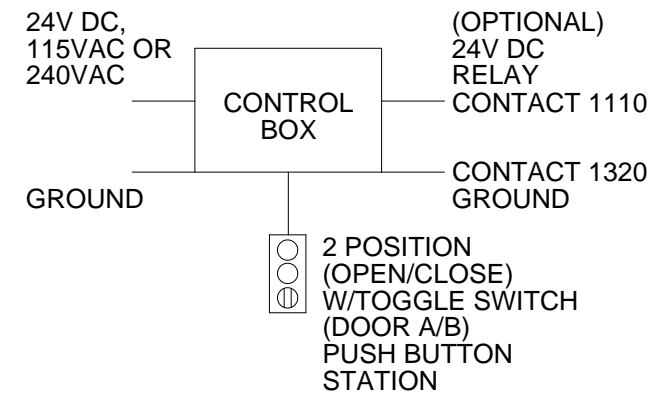
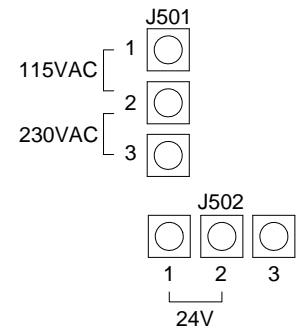
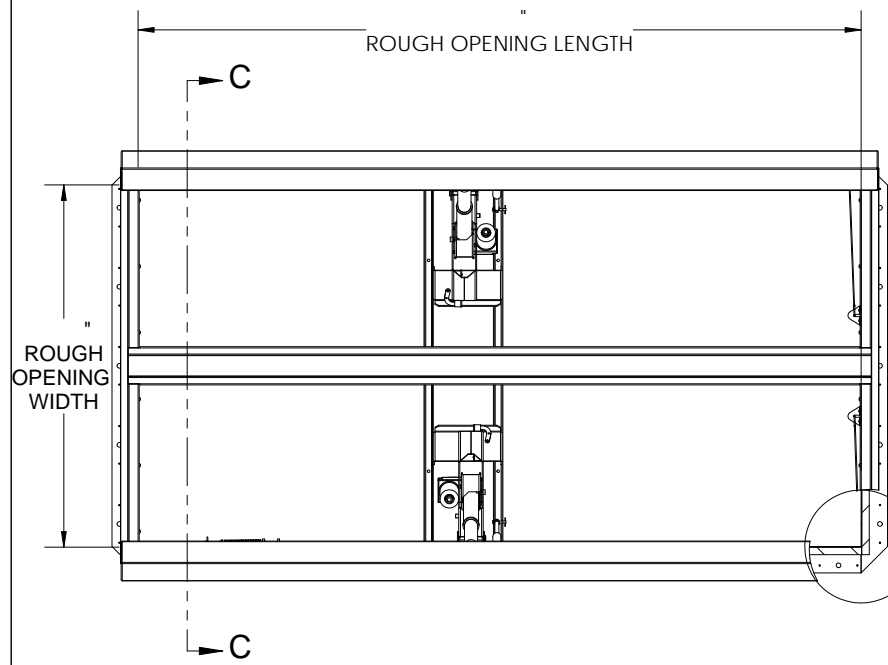
⑫ **ELECTRICAL CONTROL:** LINEAR ACTUATORS OPERATE THE DOORS OPEN AND CLOSED CONTROLLED BY A USER PUSH BUTTON STATION. SYSTEM CAN BE POWERED BY 24V DC OR 115/230VAC AT 50/60HZ.

⑬ **BURGLAR BARS:** None

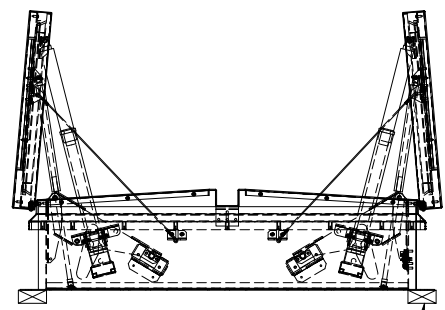
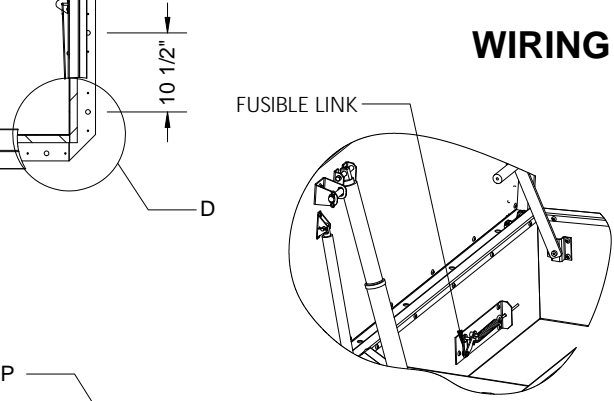
**SMOKE VENT SIZE** "(WIDTH) x "(LENGTH)  
**EFFECTIVE VENTING AREA 80%**

PROPRIETARY AND CONFIDENTIAL: THE INFORMATION CONTAINED IN THIS DRAWING IS THE SOLE PROPERTY OF BABCOCK-DAVIS. ANY REPRODUCTION IN PART OR AS A WHOLE WITHOUT THE WRITTEN PERMISSION OF BABCOCK-DAVIS IS PROHIBITED.

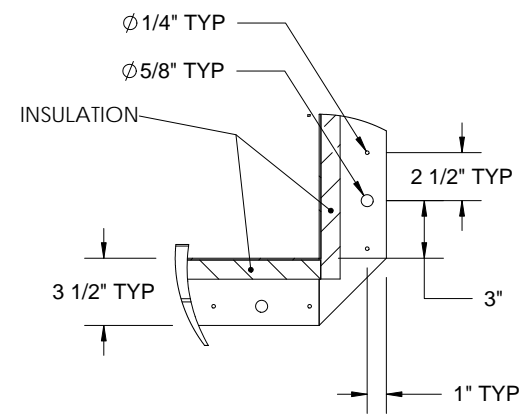
PROJECT:			
ARCHITECT:			
CONTRACTOR:			
QTY:			
PART#:			
		TITLE: Smoke Vent, SafeMAX	
		Alum, Mill, Sngl Wall Curb,	
9300 73rd Avenue North Brooklyn Park, MN 55428			
NAME	DATE	SIZE	DWG. NO.
ELW		A	
RELEASED	ELW	WEIGHT: VARIES	
			SHEET 1 OF 2



### WIRING DIAGRAM



### SECTION C-C



### DETAIL D

				TITLE: Smoke Vent, SafeMAX	
9300 73rd Avenue North Brooklyn Park, MN 55428				Alum, Mill, Sngl Wall Curb,	
NAME	DATE	SIZE	DWG. NO.	REV	
DRAWN ELW		A		A	
RELEASED ELW		WEIGHT: VARIES		SHEET 2 OF 2	

PROPRIETARY AND CONFIDENTIAL: THE INFORMATION CONTAINED IN THIS DRAWING IS THE SOLE PROPERTY OF BABCOCK-DAVIS. ANY REPRODUCTION IN PART OR AS A WHOLE WITHOUT THE WRITTEN PERMISSION OF BABCOCK-DAVIS IS PROHIBITED.