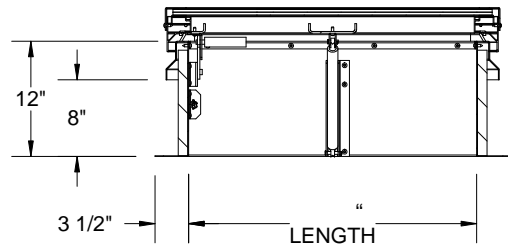
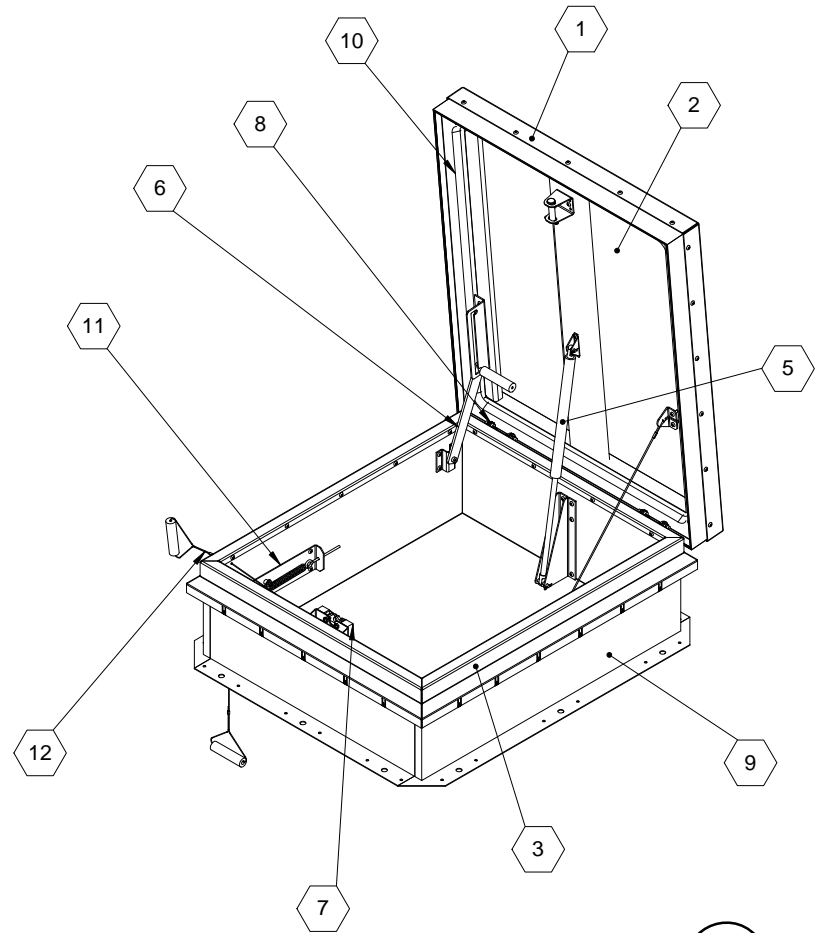


SECTION B-B



SECTION A-A



**SPECIFICATIONS:**

- ① **COVER:** ALUMINUM EXTRUSION WITH 11GA ALUM RETAINER TO WITHSTAND A LIVE LOAD OF 40 PSF WITH A MAX DEFLECTION OF 1/150 OF THE SPAN
- ② **TRANSLUCENT MATERIAL:** POLYCARBONATE MULTI-WALL WHITE
- ③ **CURB AND COUNTERFLASH W/ EZ TAB:** 11 GAUGE ALUMINUM
- ④ **FINISH:** COVER- MILL  
CURB- MILL
- ⑤ **GAS SPRING WITH DAMPER:** DESIGNED TO OPEN AGAINST A 10PSF SNOW LOAD IN NOT LESS THAN 2 SECONDS
- ⑥ **HOLD OPEN ARM:** LOCK COVER IN FULLY OPEN POSITION - ZINC PLATED STEEL
- ⑦ **LATCH:** ZINC PLATED ROTARY LATCH ASSEMBLY DESIGNED TO HOLD COVERS CLOSED AGAINST 30 PSF WIND UPLIFT  
ZINC PLATED STEEL LATCH STRIKERS ON COVERS

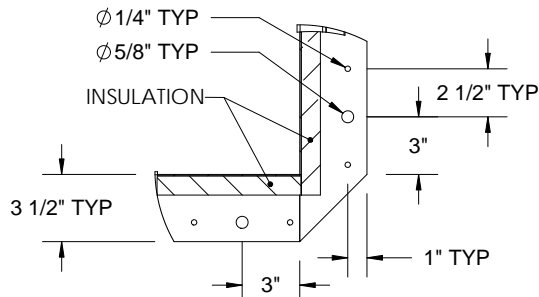
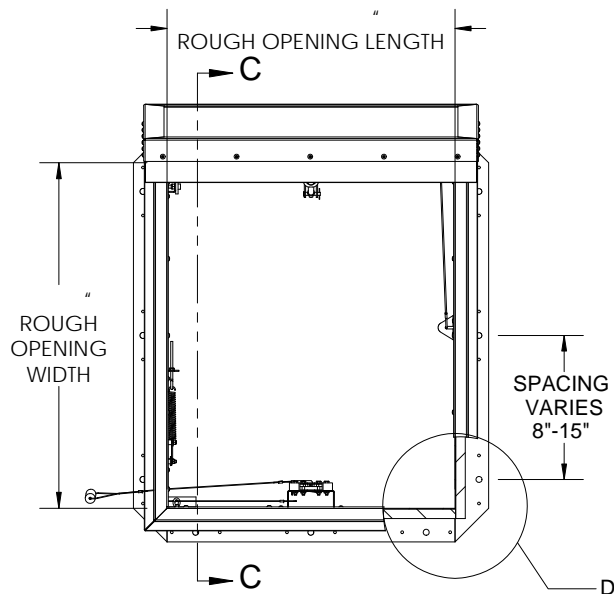
- ⑧ **HINGES:** ZINC PLATED STEEL WITH STAINLESS STEEL HINGE PINS
- ⑨ **INSULATION:** 1" POLYISOCYANURATE IN COVER AND AROUND CURB PERIMETER, R-VALUE 6
- ⑩ **GASKET:** ADHESIVE BACKED EPDM RUBBER EXTRUSION
- ⑪ **THERMAL RELEASE MECHANISM:** VENT COVERS OPEN THERMALLY BY HEAT AT FUSIBLE LINK TEMPERATURE °F
- ⑫ **MANUAL OPENING:** VENT COVERS OPEN WITH INTERNAL AND EXTERNAL MANUAL PULL HANDLE, 1/16" DIA SST CABLE

SMOKE VENT SIZE (WIDTH) x (LENGTH)  
EFFECTIVE VENTING AREA 90% SQFT<sup>2</sup>

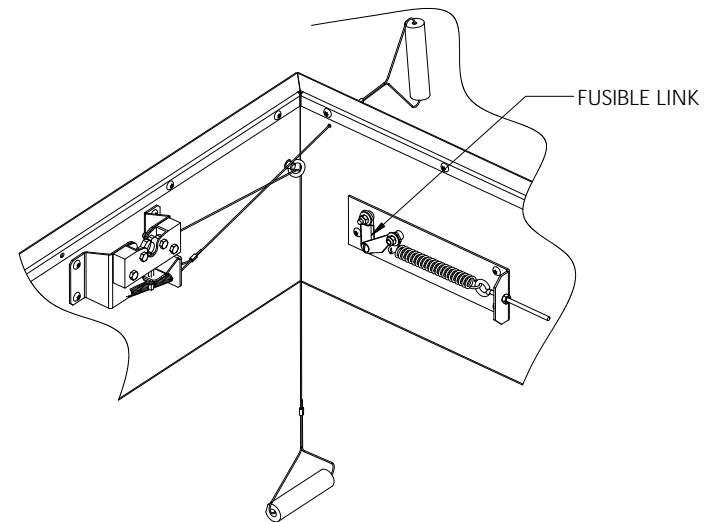


PROJECT:			
ARCHITECT:			
CONTRACTOR:			
QTY:			
PART#:		BSVLA	X S1N R
		TITLE: Smoke Vent, LightMAX Series Alum, Sngl Dr, Sngl Wall Curb	
9300 73rd Avenue North Brooklyn Park, MN 55428			
NAME	DATE	SIZE	DWG. NO.
BMH	05/04/11	A	BSVLA_X_S1N_R
RELEASED	DS	05/04/11	WEIGHT: VARIES
			REV A
			SHEET 1 OF 2

PROPRIETARY AND CONFIDENTIAL: THE INFORMATION CONTAINED IN THIS DRAWING IS THE SOLE PROPERTY OF BABCOCK-DAVIS. ANY REPRODUCTION IN PART OR AS A WHOLE WITHOUT THE WRITTEN PERMISSION OF BABCOCK-DAVIS IS PROHIBITED.



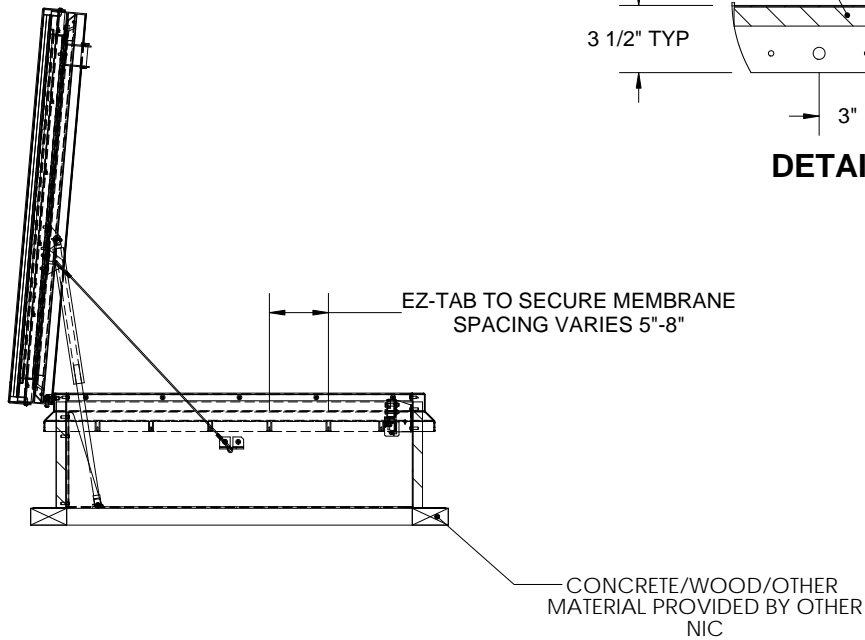
**DETAIL D**



**SMOKE VENT COVER OPENS WHEN ACTIVATED BY:**

- A. THERMAL RELEASE MECHANISM:** RELEASED BY HEAT WITH A UL LISTED FUSIBLE LINK AT TEMPERATURE °F  
**OPTIONS:** 165°F, 212°F, 280°F, 350°F, 360°F, 370°F, 386°F, 450°F
- B. MANUAL OPENING:** RELEASED BY EXTERNAL AND INTERNAL PULL CABLES WITH HANDLES AND 5FT OF INTERNAL CABLE PROVIDED

**SMOKE VENT COVER CLOSED MANUALLY FROM ROOFTOP**



**SECTION C-C**

			TITLE: Smoke Vent, LightMAX Series Alum, Sngl Dr, Sngl Wall Curb		
9300 73rd Avenue North Brooklyn Park, MN 55428					
NAME	DATE	SIZE	DWG. NO.	REV	
DRAWN: BMH	05/04/11	A	BSVLA_X_S1N_R	A	
RELEASED: DS	05/04/11	WEIGHT: VARIES		SHEET 2 OF 2	

PROPRIETARY AND CONFIDENTIAL: THE INFORMATION CONTAINED IN THIS DRAWING IS THE SOLE PROPERTY OF BABCOCK-DAVIS. ANY REPRODUCTION IN PART OR AS A WHOLE WITHOUT THE WRITTEN PERMISSION OF BABCOCK-DAVIS IS PROHIBITED.