

SECTION A-A

SPECIFICATIONS:

- ① **COVER:** ALUMINUM EXTRUSION WITH 11GA ALUM RETAINER TO WITHSTAND A LIVE LOAD OF 40 PSF WITH A MAX DEFLECTION OF 1/150 OF THE SPAN
- ② **TRANSLUCENT MATERIAL:** POLYCARBONATE DOME WHITE
- ③ **CURB AND COUNTERFLASH W/ EZ TAB:** 11 GAUGE ALUMINUM
- ④ **FINISH:** COVER- MILL
CURB- MILL
- ⑤ **GAS SPRING WITH DAMPER:** DESIGNED TO OPEN AGAINST A 10PSF SNOW LOAD IN NOT LESS THAN 2 SECONDS
- ⑥ **HOLD OPEN ARM:** LOCK COVER IN FULLY OPEN POSITION - ZINC PLATED STEEL
- ⑦ **LATCH:** ZINC PLATED ROTARY LATCH ASSEMBLY DESIGNED TO HOLD COVERS CLOSED AGAINST 90 PSF WIND UPLIFT ZINC PLATED STEEL LATCH STRIKERS ON COVERS

- ⑧ **HINGES:** ZINC PLATED STEEL WITH STAINLESS STEEL HINGE PINS
- ⑨ **INSULATION:** 1" POLYISOCYANURATE IN COVER AND AROUND CURB PERIMETER, R-VALUE 6
- ⑩ **GASKET:** ADHESIVE BACKED EPDM RUBBER EXTRUSION
- ⑪ **THERMAL RELEASE MECHANISM:** VENT COVERS OPEN THERMALLY BY HEAT AT FUSIBLE LINK TEMPERATURE 165 °F
- ⑫ **MANUAL OPENING:** VENT COVERS OPEN WITH INTERNAL AND EXTERNAL MANUAL PULL HANDLE, 1/16" DIA SST CABLE

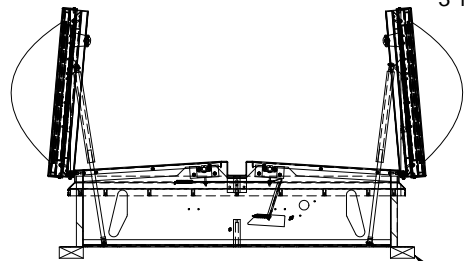
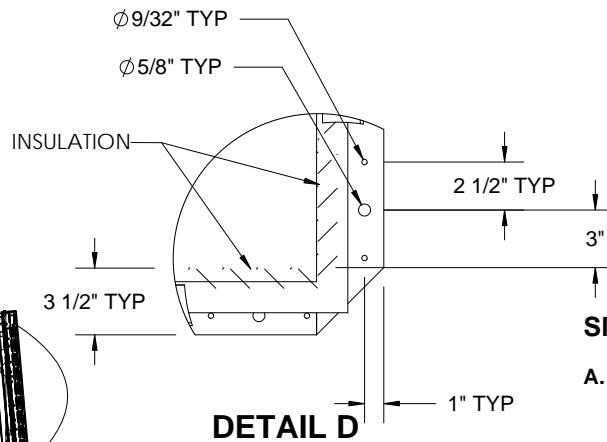
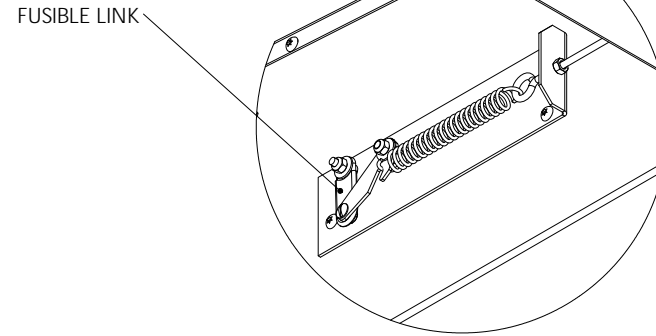
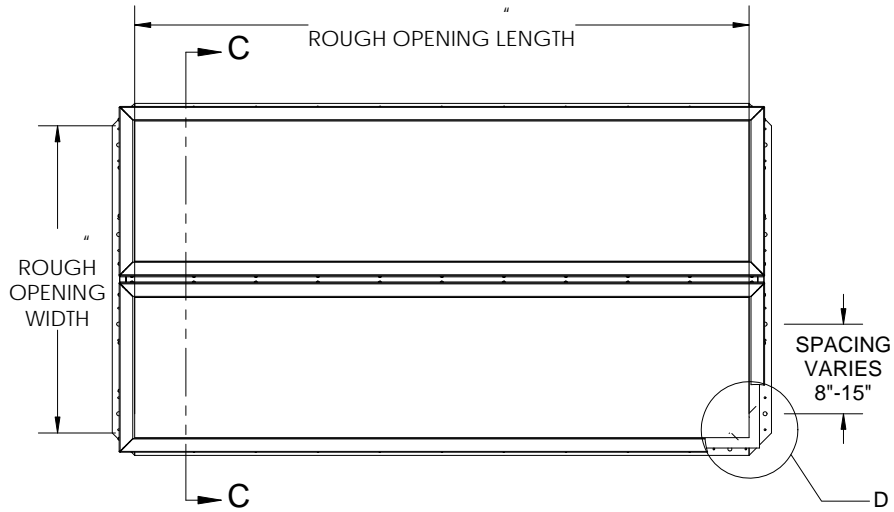
SMOKE VENT SIZE (WIDTH) x (LENGTH)

EFFECTIVE VENTING AREA 90% SQFT

PROPRIETARY AND CONFIDENTIAL: THE INFORMATION CONTAINED IN THIS DRAWING IS THE SOLE PROPERTY OF BABCOCK-DAVIS. ANY REPRODUCTION IN PART OR AS A WHOLE WITHOUT THE WRITTEN PERMISSION OF BABCOCK-DAVIS IS PROHIBITED.



| | | | | | |
|---|------|--|----------------|-------------------|--------------|
| PROJECT: | | | | | |
| ARCHITECT: | | | | | |
| CONTRACTOR: | | | | | |
| QTY: | | | | | |
| PART#: | | BSVLA | X | D1N | R-LPW |
| babcockdavis | | TITLE: Smoke Vent, LightMAX Series Aluminum, Dbl Dr, Single Wall Curb Non-Electrical | | | |
| 9300 73rd Avenue North Brooklyn Park, MN 55428 | | | | | |
| NAME | DATE | SIZE | DWG. NO. | REV | |
| DRAWN | - | 05/04/11 | A | BSVLA_X_D1N_R-LPW | |
| RELEASED | DS | 05/04/11 | WEIGHT: VARIES | | SHEET 1 OF 2 |



SECTION C-C

CONCRETE/WOOD/OTHER MATERIAL PROVIDED BY OTHER NIC

SMOKE VENT COVER OPENS WHEN ACTIVATED BY:

A. THERMAL RELEASE MECHANISM: RELEASED BY HEAT WITH A UL LISTED FUSIBLE LINK AT TEMPERATURE °F

OPTIONS: 165°F, 212°F, 280°F, 350°F, 360°F, 370°F, 386°F, 450°F

B. MANUAL OPENING: RELEASED BY EXTERNAL AND INTERNAL PULL CABLES WITH HANDLES AND 5FT OF INTERNAL CABLE PROVIDED

SMOKE VENT COVER CLOSED MANUALLY FROM ROOFTOP

| | | | | | |
|---|----|----------|--|-------------------|--------------|
| | | | TITLE: Smoke Vent, LightMAX Series Aluminum, Dbl Dr, Single Wall Curb Non-Electrical | | |
| 9300 73rd Avenue North Brooklyn Park, MN 55428 | | | SIZE | DWG. NO. | REV |
| DRAWN | - | 05/04/11 | A | BSVLA_X_D1N_R-LPW | - |
| RELEASED | DS | 05/04/11 | WEIGHT: VARIES | | SHEET 2 OF 2 |