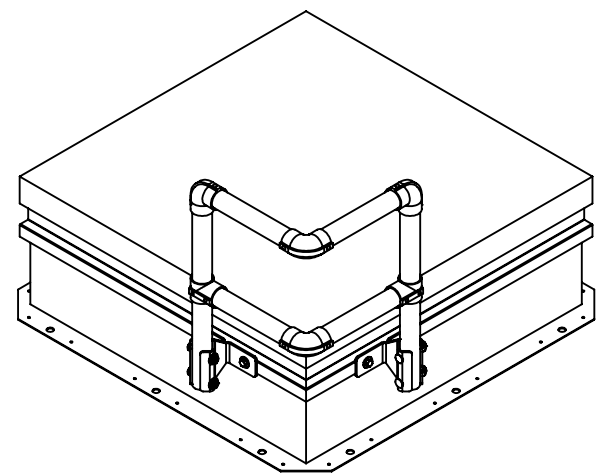
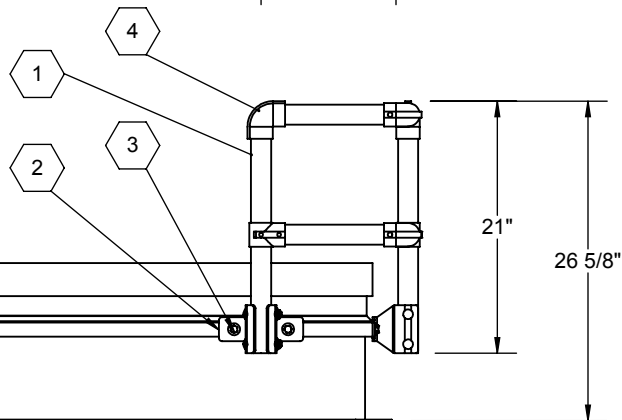
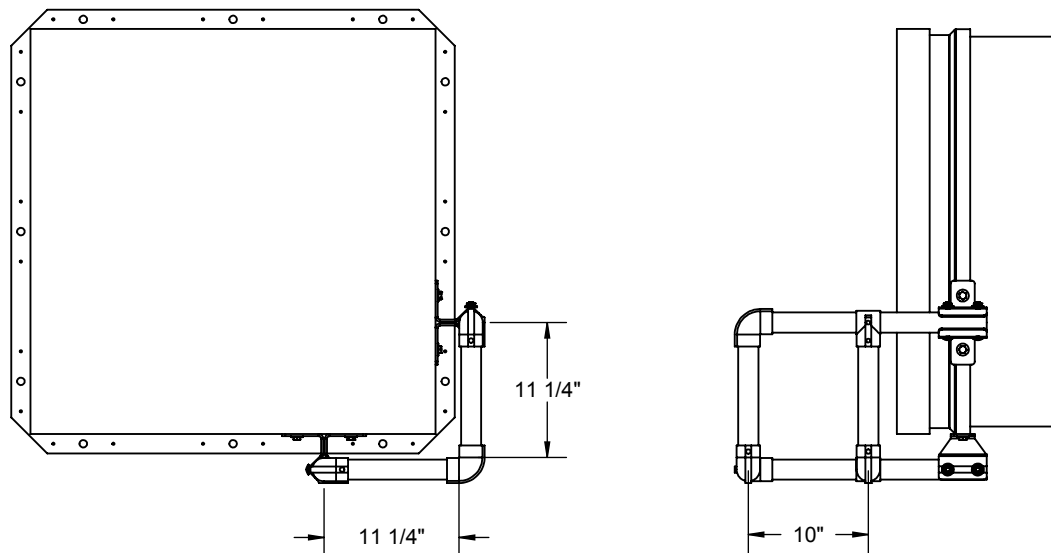


B

B



A

A

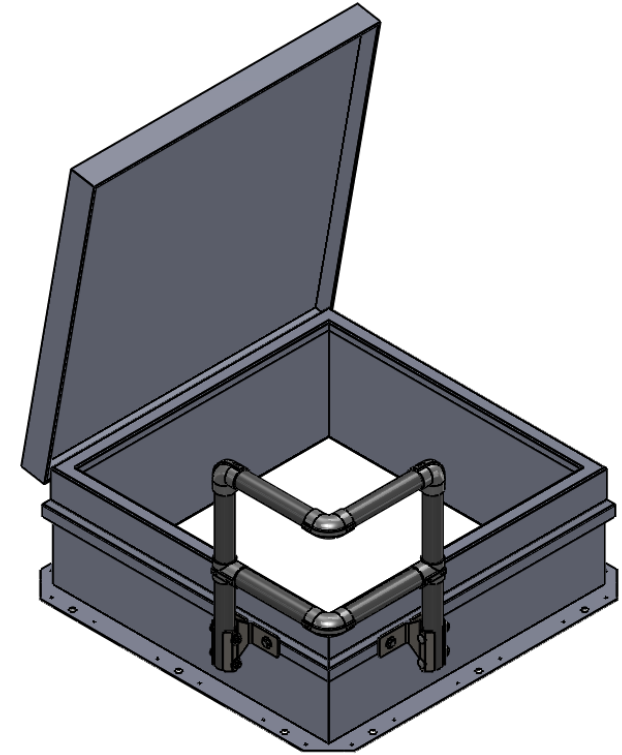
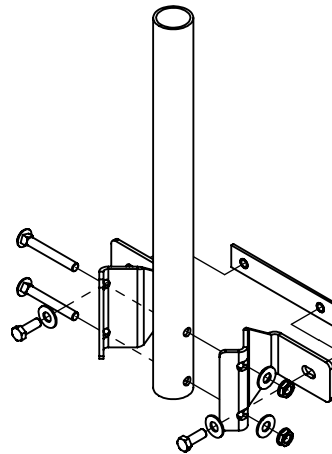
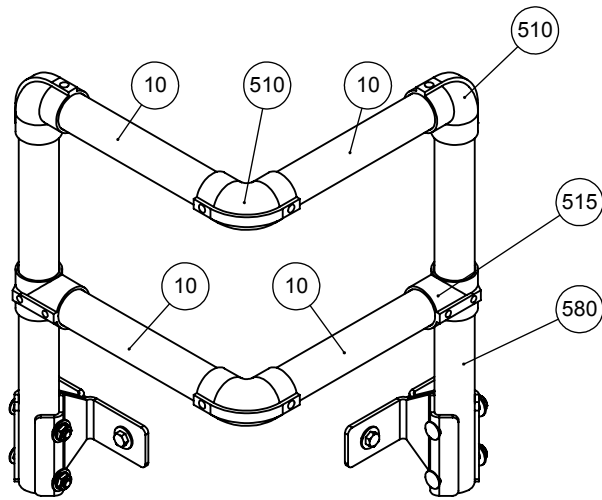
SPECIFICATIONS

- ① **RAILS, POSTS:** 6061 T6 ALUMINUM ALLOY 1 1/4" I.D. SCH 40
- ② **COUNTERFLASH MOUNTING BRACKETS:** 3/16" ZINC PLATED STEEL FASTENED TO STEEL BACKING PLATE
- ③ **BOLTS:** HEX HEAD BOLTS 3/8"-16 x 3/4" GRADE 5 ZINC PLATED
- ④ **RAILING FITTINGS AND PLUGS:** MANUFACTURER'S STANDARD CAST WITH SET SCREW HOLD
- 5. NOT FOR USE ON ROOF HATCHES WITHOUT COUNTERFLASHING. CORNER GRABS SIZE AND TOP RAIL LOCATION BASED ON STANDARD ROOF HATCHES.

PROPRIETARY AND CONFIDENTIAL: THE INFORMATION CONTAINED IN THIS DRAWING IS THE SOLE PROPERTY OF BABCOCK-DAVIS. ANY REPRODUCTION IN PART OR AS A WHOLE WITHOUT THE WRITTEN PERMISSION OF BABCOCK-DAVIS IS PROHIBITED.

PROJECT:					
ARCHITECT:					
CONTRACTOR:					
 9300 73rd Avenue North Brooklyn Park, MN 55428		TITLE: Safety Grab Bar For Roof Hatch Aluminum			
		NAME	DATE	SIZE	DWG. NO.
DRAWN	SJB	6/24/14	A	BSGBA	A
RELEASED	PGE	6/24/14	WEIGHT: NA	SHEET 1 OF 2	

ITEM NO.	PART NUMBER	DESCRIPTION	QTY.
10	27496-10.00	RAIL, 1-1/4" X 10.00L, ALUM	4
510	27185	FTG, ELBOW,	4
515	27188	FTG, TEE,	2
580	27349-A	PKG, SIDE POST, ALUM, NO FTG	2



(ROOF HATCH SHOWN FOR ILLUSTRATIVE PURPOSES ONLY)

INSTALLATION NOTES:

1. TO DRILL HOLES IN COUNTERFLASHING TO MOUNT CORNER GRAB, TEMPORARILY ASSEMBLE THE CORNER BRAB BRACKETS AND MARK MOUNTING HOLES ON EACH CORNER. DRILL 1/2" DIAMETER HOLES THROUGH COUNTERFLASHING OF CURB.
2. REFERENCE MANUFACTURING INSTALLATION INSTRUCTIONS FOR FURTHER DETAILS.

PROPRIETARY AND CONFIDENTIAL: THE INFORMATION CONTAINED IN THIS DRAWING IS THE SOLE PROPERTY OF BABCOCK-DAVIS. ANY REPRODUCTION IN PART OR AS A WHOLE WITHOUT THE WRITTEN PERMISSION OF BABCOCK-DAVIS IS PROHIBITED.

PROJECT:											
ARCHITECT:											
CONTRACTOR:											
 9300 73rd Avenue North Brooklyn Park, MN 55428		TITLE: Safety Grab Bar For Roof Hatch Aluminum									
		<table border="1"> <tr> <td>NAME</td> <td>DATE</td> <td>SIZE</td> <td>DWG. NO.</td> <td>REV</td> </tr> <tr> <td>SJB</td> <td>6/24/14</td> <td>A</td> <td>BSGBA</td> <td>A</td> </tr> </table>	NAME	DATE	SIZE	DWG. NO.	REV	SJB	6/24/14	A	BSGBA
NAME	DATE	SIZE	DWG. NO.	REV							
SJB	6/24/14	A	BSGBA	A							
RELEASED	PGE	6/24/14	WEIGHT: NA	SHEET 2 OF 2							