

MIAMI DADE ACCEPTANCE NO: 12-0320.29
EXPIRATION DATE: 7/19/17
FLORIDA APPROVAL NO: FL15803

TEST CERTIFICATIONS:

- TAS201 IMPACT TEST
- TAS202 UNIFORM STATIC AIR PRESSURE ± 100 PSF
- TAS203 CYCLE WIND PRESSURE LOAD

THE DESIGN CONTAINED HEREIN IS DESIGNED AND TESTED IN ACCORDANCE WITH THE FLORIDA BUILDING CODE.

SPECIFICATIONS:

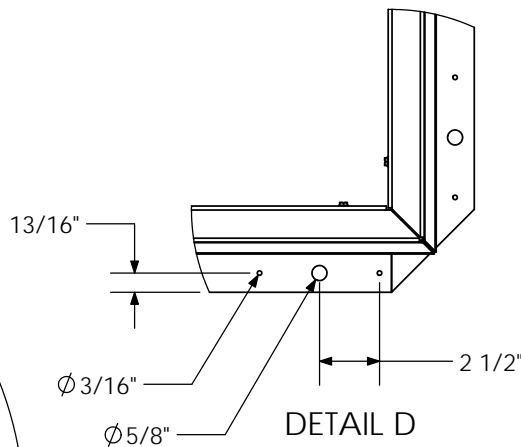
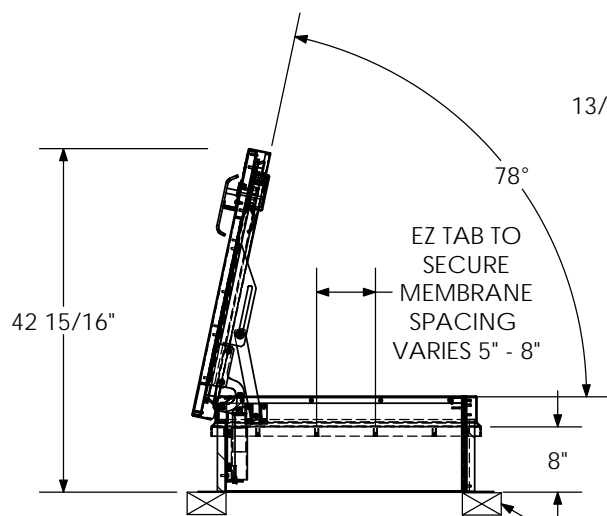
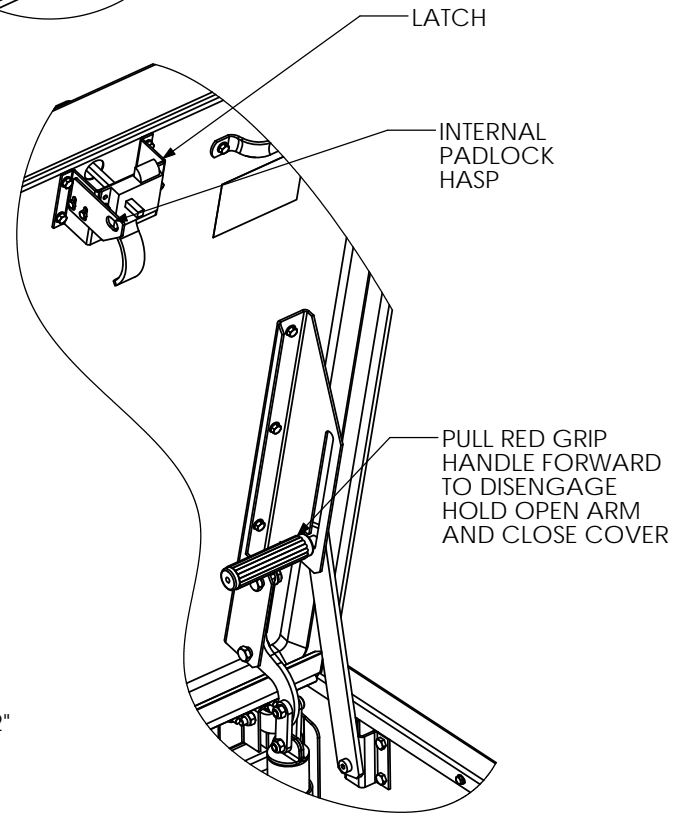
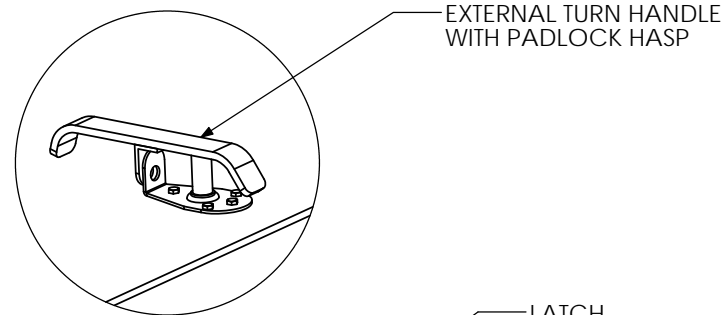
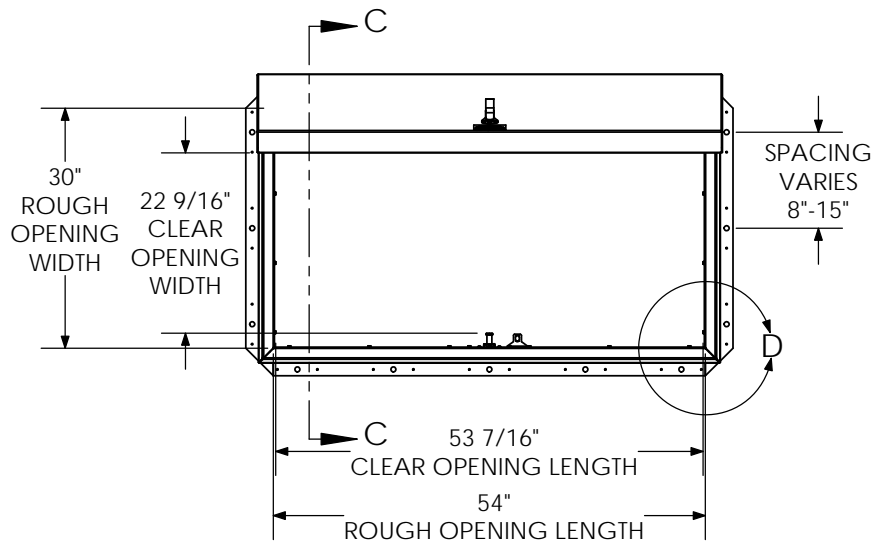
- ① **COVER:** 14 GA GALV STEEL COVER STIFFENED TO WITHSTAND A LIVE LOAD OF 40PSF WITH A MAX DEFLECTION OF 1/150 OF THE SPAN
- ② **LINER:** 22 GA GALV STEEL
- ③ **CURB AND COUNTERFLASH W/ EZ TAB:**
14 GA GALV STEEL
- 4 **FINISH:** RED POWDER COAT
- ⑤ **SPRING/HINGE ASSEMBLY:** ZINC PLATED STEEL TAMPER-PROOF HINGE CONTAINED WITHIN SPRING/HINGE ASSEMBLY. TELESCOPIC TUBES CONTAIN COIL STEEL COMPRESSION SPRINGS FOR LIFT ASSISTANCE
- ⑥ **HOLD OPEN ARM:** LOCKS COVER IN FULLY OPEN POSITION - ZINC PLATED STEEL WITH RED VINYL GRIP HANDLE PULL RELEASE
- ⑦ **LATCH:** SINGLE POINT ROTARY LATCH HOLDS COVER CLOSED AGAINST +/-100 PSF WIND UPLIFT. INTERNAL AND EXTERNAL TURN HANDLES WITH PADLOCK HASPS

- ⑧ **INSULATION:**
1" POLYSTYRENE (R4) IN COVER, AND 1" POLYISO (R7.2) IN CURB
- ⑨ **GASKET:** ADHESIVE BACKED EPDM RUBBER EXTRUSION
- 10 **SIZING:** WIDTH X LENGTH DIMENSIONS ARE MEASURED INSIDE CURB TO INSIDE CURB WHERE THE WIDTH IS HINGE TO LATCH AND LENGTH IS HINGED SIDE WITH SPRINGS

ROOF HATCH SIZE 30" (WIDTH) x 54" (LENGTH)
CLEAR OPENING 22.56" (WIDTH) x 53" (LENGTH)
ROUGH OPENING 30" (WIDTH) x 54" (LENGTH)

PROPRIETARY AND CONFIDENTIAL: THE INFORMATION CONTAINED IN THIS DRAWING IS THE SOLE PROPERTY OF BABCOCK-DAVIS. ANY REPRODUCTION IN PART OR AS A WHOLE WITHOUT THE WRITTEN PERMISSION OF BABCOCK-DAVIS IS PROHIBITED.

PROJECT:					
ARCHITECT:					
CONTRACTOR:					
QTY:					
PART#:		BRHZG30X54S1T			
 9300 73rd Avenue North Brooklyn Park, MN 55428		TITLE: Roof Hatch, Hurricane Hatch 30x54, Sngl Dr, Galvn Steel, Red Oxide Pwd, Sngl Wall Curb,			
		NAME	DATE	SIZE	DWG. NO.
DRAWN	SJB	2/1/13	A	BRHZG30X54S1T	A
RELEASED	-	-	WEIGHT: 237.4	SHEET 1 OF 2	



HARDWARE DETAILS

SECTION C-C

WOOD, CONCRETE, OTHER MATERIAL FOR MOUNTING BY OTHERS (NIC)

PROPRIETARY AND CONFIDENTIAL: THE INFORMATION CONTAINED IN THIS DRAWING IS THE SOLE PROPERTY OF BABCOCK-DAVIS. ANY REPRODUCTION IN PART OR AS A WHOLE WITHOUT THE WRITTEN PERMISSION OF BABCOCK-DAVIS IS PROHIBITED.

			TITLE: Roof Hatch, Hurricane Hatch 30x54, Sngl Dr, Galvn Steel, Red Oxide Pwd, Sngl Wall Curb,		
9300 73rd Avenue North Brooklyn Park, MN 55428			NAME	DATE	SIZE
			SJB	2/1/13	A
			DWG. NO.	REV	
			BRHZG30X54S1T	A	
DRAWN			WEIGHT: 237.4		
RELEASED			SHEET 2 OF 2		