

**SPECIFICATIONS:**

- ① **COVER:** 11 GA ALUM COVER STIFFENED TO WITHSTAND A LIVE LOAD OF 40PSF WITH A MAX DEFLECTION OF 1/150 OF THE SPAN
- ② **LINER:** 18 GA ALUM
- ③ **CURB AND COUNTERFLASH W/ EZ TAB:**  
11 GA ALUM
- 4 **FINISH:** MILL FINISH
- ⑤ **SPRING/HINGE ASSEMBLY:** ZINC PLATED STEEL TAMPER-PROOF HINGE CONTAINED WITHIN SPRING/HINGE ASSEMBLY. TELESCOPIC TUBES CONTAIN COIL STEEL COMPRESSION SPRINGS FOR LIFT ASSISTANCE
- ⑥ **HOLD OPEN ARM:** LOCKS COVER IN FULLY OPEN POSITION - ZINC PLATED STEEL WITH RED VINYL GRIP HANDLE PULL RELEASE
- ⑦ **LATCH:** SINGLE POINT LATCH SLAM LATCH HOLDS COVER CLOSED AGAINST 20 PSF WIND UPLIFT. INTERNAL AND EXTERNAL TURN HANDLES WITH PADLOCK HASPS

- ⑧ **INSULATION:**  
1" POLYSTYRENE (R4) IN COVER, AND 1" POLYISO (R7.2) IN CURB
- ⑨ **GASKET:** ADHESIVE BACKED EPDM RUBBER EXTRUSION
- 10 **SIZING:** WIDTH X LENGTH DIMENSIONS ARE MEASURED INSIDE CURB TO INSIDE CURB WHERE THE WIDTH IS HINGE TO LATCH AND LENGTH IS HINGED SIDE WITH SPRINGS

**ROOF HATCH SIZE** 30" (WIDTH) x 54" (LENGTH)  
**CLEAR OPENING** 22.56" (WIDTH) x 53" (LENGTH)  
**ROUGH OPENING** 30" (WIDTH) x 54" (LENGTH)



**MIAMI DADE ACCEPTANCE NO: 12-0320.29**  
**EXPIRATION DATE: 7/19/17**  
**FLORIDA APPROVAL NO: FL15803**

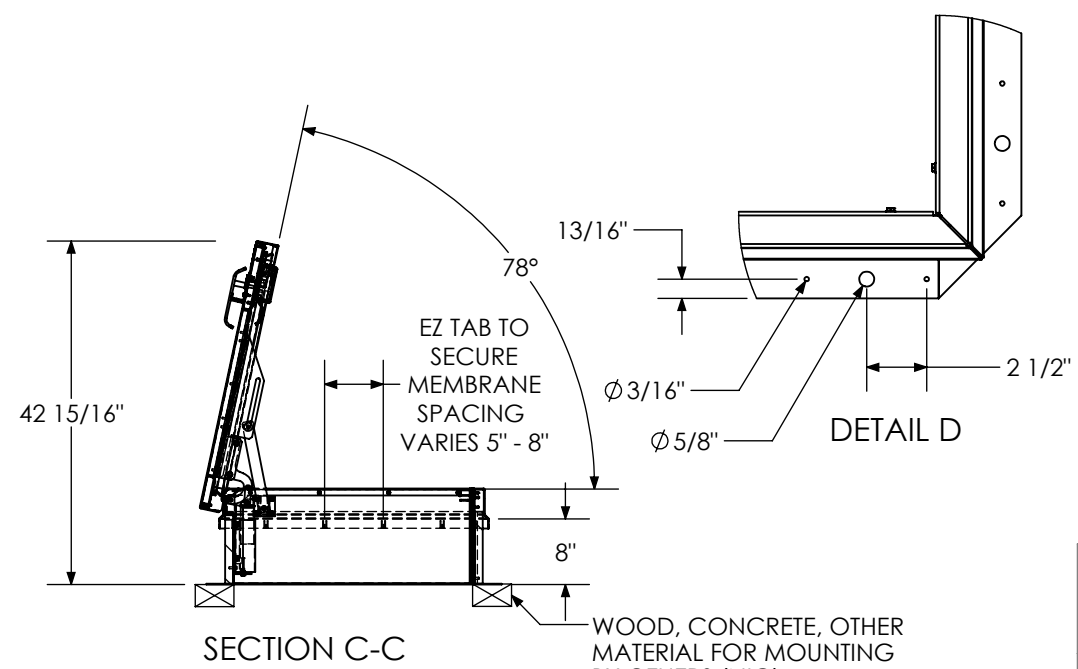
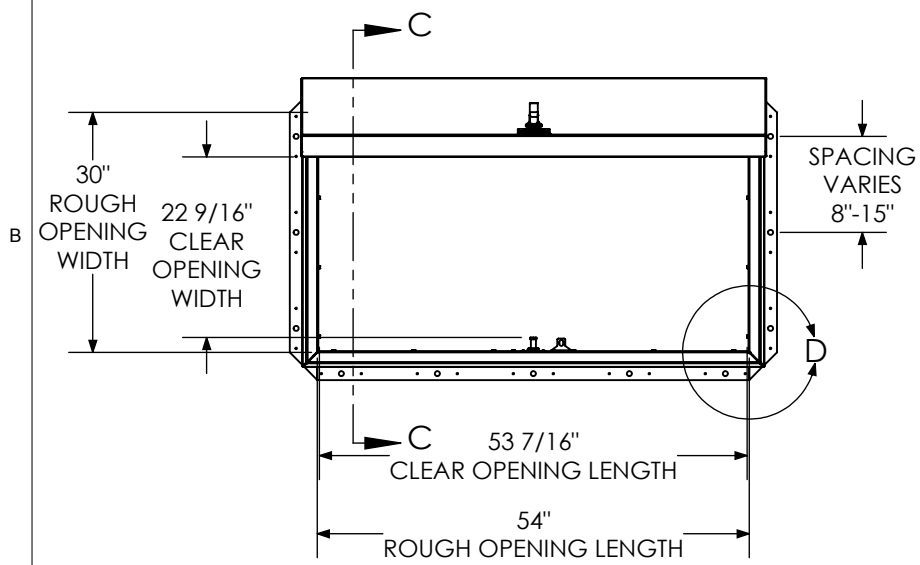
**TEST CERTIFICATIONS:**

- TAS201 IMPACT TEST
- TAS202 UNIFORM STATIC AIR PRESSURE ± 100 PSF
- TAS203 CYCLE WIND PRESSURE LOAD

THE DESIGN CONTAINED HEREIN IS DESIGNED AND TESTED IN ACCORDANCE WITH THE FLORIDA BUILDING CODE.

PROJECT:			
ARCHITECT:			
CONTRACTOR:			
QTY:			
PART#:		BRHZA30X54S1T	
		TITLE: Roof Hatch, Hurricane Hatch 30x54, Sngl Dr, Alum, Mill, Sngl Wall Curb,	
		9300 73rd Avenue North Brooklyn Park, MN 55428	
NAME	DATE	SIZE	DWG. NO.
JOB	DATE	SIZE	DWG. NO.
RELEASED	-	-	BRHZA30X54S1T
WEIGHT: 110.8			REV A
SHEET 1 OF 2			

PROPRIETARY AND CONFIDENTIAL: THE INFORMATION CONTAINED IN THIS DRAWING IS THE SOLE PROPERTY OF BABCOCK-DAVIS. ANY REPRODUCTION IN PART OR AS A WHOLE WITHOUT THE WRITTEN PERMISSION OF BABCOCK-DAVIS IS PROHIBITED.



PROPRIETARY AND CONFIDENTIAL: THE INFORMATION CONTAINED IN THIS DRAWING IS THE SOLE PROPERTY OF BABCOCK-DAVIS. ANY REPRODUCTION IN PART OR AS A WHOLE WITHOUT THE WRITTEN PERMISSION OF BABCOCK-DAVIS IS PROHIBITED.

			TITLE: Roof Hatch, Hurricane Hatch 30x54, Sngl Dr, Alum, Mill, Sngl Wall Curb,		
9300 73rd Avenue North Brooklyn Park, MN 55428			DWG. NO.	REV	
DRAWN	NAME	DATE	SIZE	BRHZA30X54S1T	
RELEASED	SJB	6/26/13	A	A	
WEIGHT: 110.8			SHEET 2 OF 2		