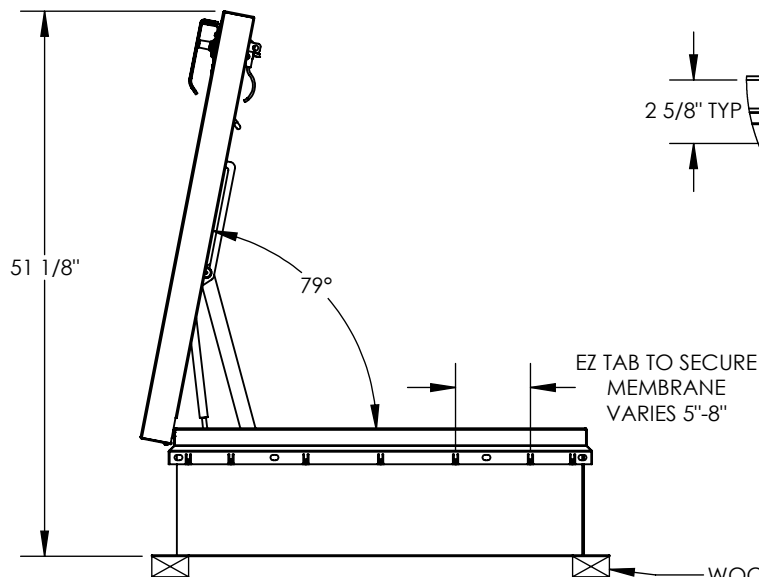
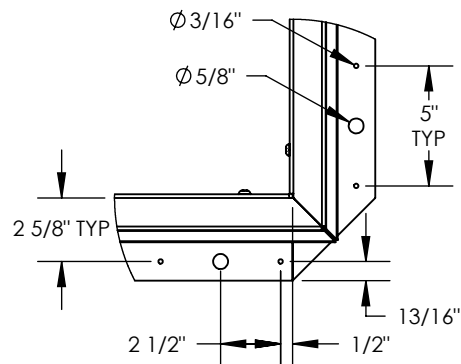
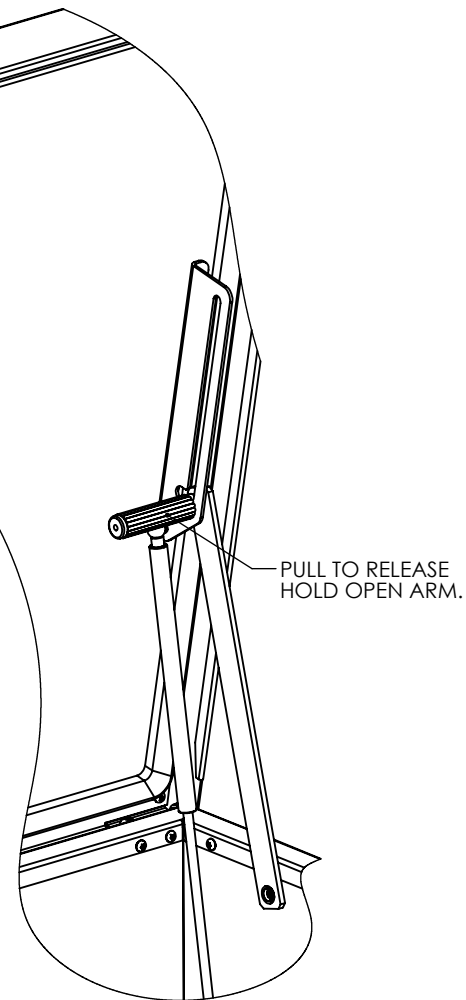
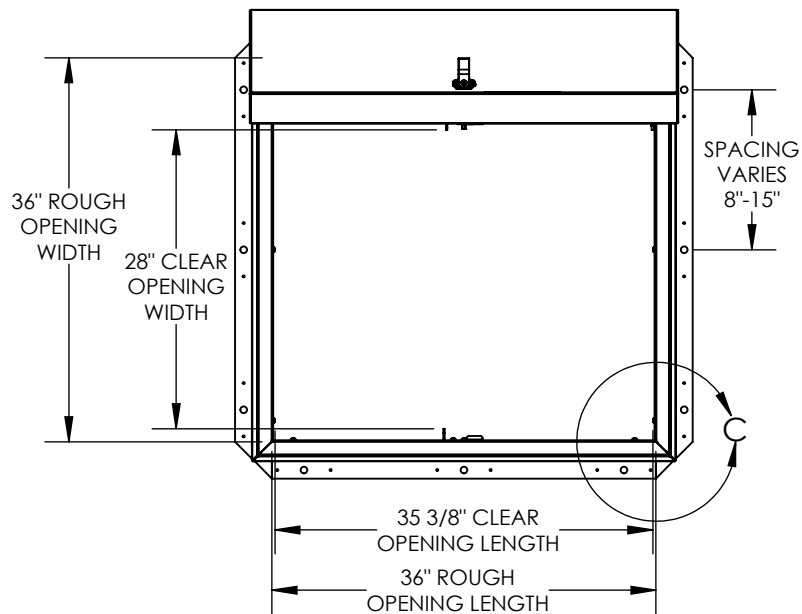


**MIAMI-DADE COUNTY**  
**APPROVED**



WOOD, CONCRETE, OTHER MATERIAL FOR MOUNTING BY OTHERS (NIC)

|  |                |                   |  |                         |        |
|--|----------------|-------------------|--|-------------------------|--------|
| <b>babcockdavis</b>                                |                |                   | TITLE: Roof Hatch, Hurricane<br>36x36, Sngl Dr,<br>Galv, Red Oxide Pwd, Sngl Wall Curb |                         |        |
| 9300 73rd Avenue North,<br>Brooklyn Park, MN 55428 |                |                   | SIZE: A  | DWG. NO.: BRHHA36X36S1T | REV: - |
| NAME: SGS  | DATE: 04/01/15 | SIZE: A           | DWG. NO.:  | BRHHA36X36S1T           | REV: - |
| RELEASED: IMT                                      | DATE: 04/01/15 | WEIGHT: 170.3 lbs | SHEET 2 OF 2   |                         |        |