

**SPECIFICATIONS:**

- ① **COVER:** 14 GA (0.08") GALV STEEL COVER STIFFENED TO WITHSTAND A LIVE LOAD OF 40PSF WITH A MAX DEFLECTION OF 1/150 OF THE SPAN
- ② **LINER:** 22 GA (0.03") GALV STEEL
- ③ **CURB:** 14 GA (0.08") GALV STEEL, CURB COUNTERFLASH WITH EZ TABS
- ④ **FINISH:** RED OXIDE POWDER COAT
- ⑤ **HINGE:** PINTLE HINGE WITH STAINLESS STEEL HINGE PINS
- ⑥ **SPRING:** GAS SPRING WITH DAMPER FOR SMOOTH, CONTROLLED COUNTERBALANCED LIFT ASSISTANCE
- ⑦ **HOLD OPEN ARM:** STEEL AUTOMATIC HOLD OPEN ARM LOCKS COVER IN FULLY OPENED POSITION WITH RED GRIP HANDLE RELEASE

- ⑧ **LATCH:** 2-PT ROTARY LATCH HOLDS COVER CLOSED AGAINST 20 PSF WIND UPLIFT. INTERNAL AND EXTERNAL TURN HANDLES WITH PADLOCK HASPS
- ⑨ **INSULATION:** 1" POLYISO (R6) CURB, 1" POLYSTYRENE (R4) COVER
- ⑩ **GASKET:** ADHESIVE-BACKED EPDM RUBBER EXTRUSION
- ⑪ **PULL HANDLE:** INTERIOR PULL DOWN HANDLE

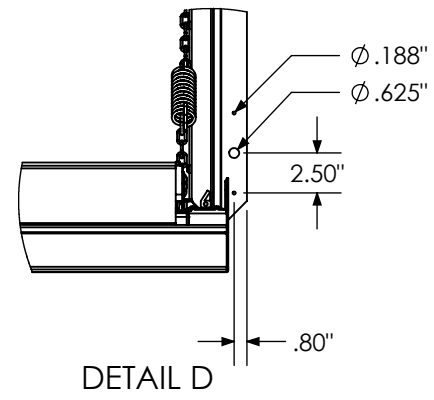
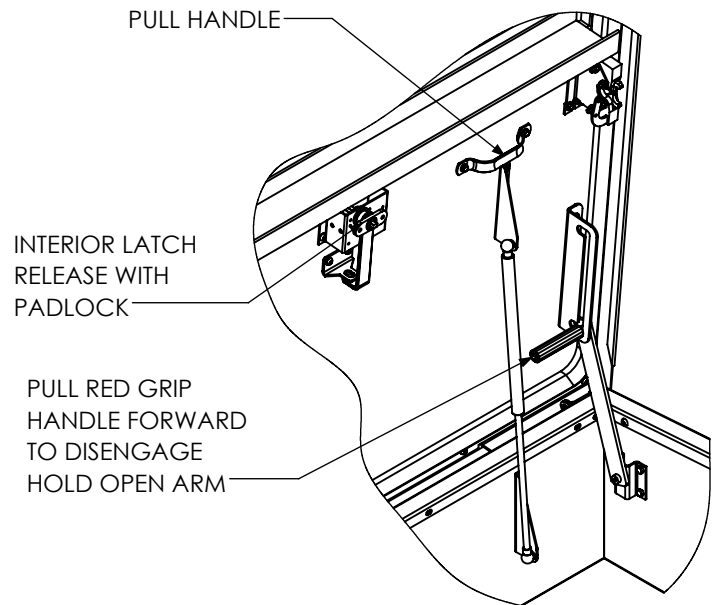
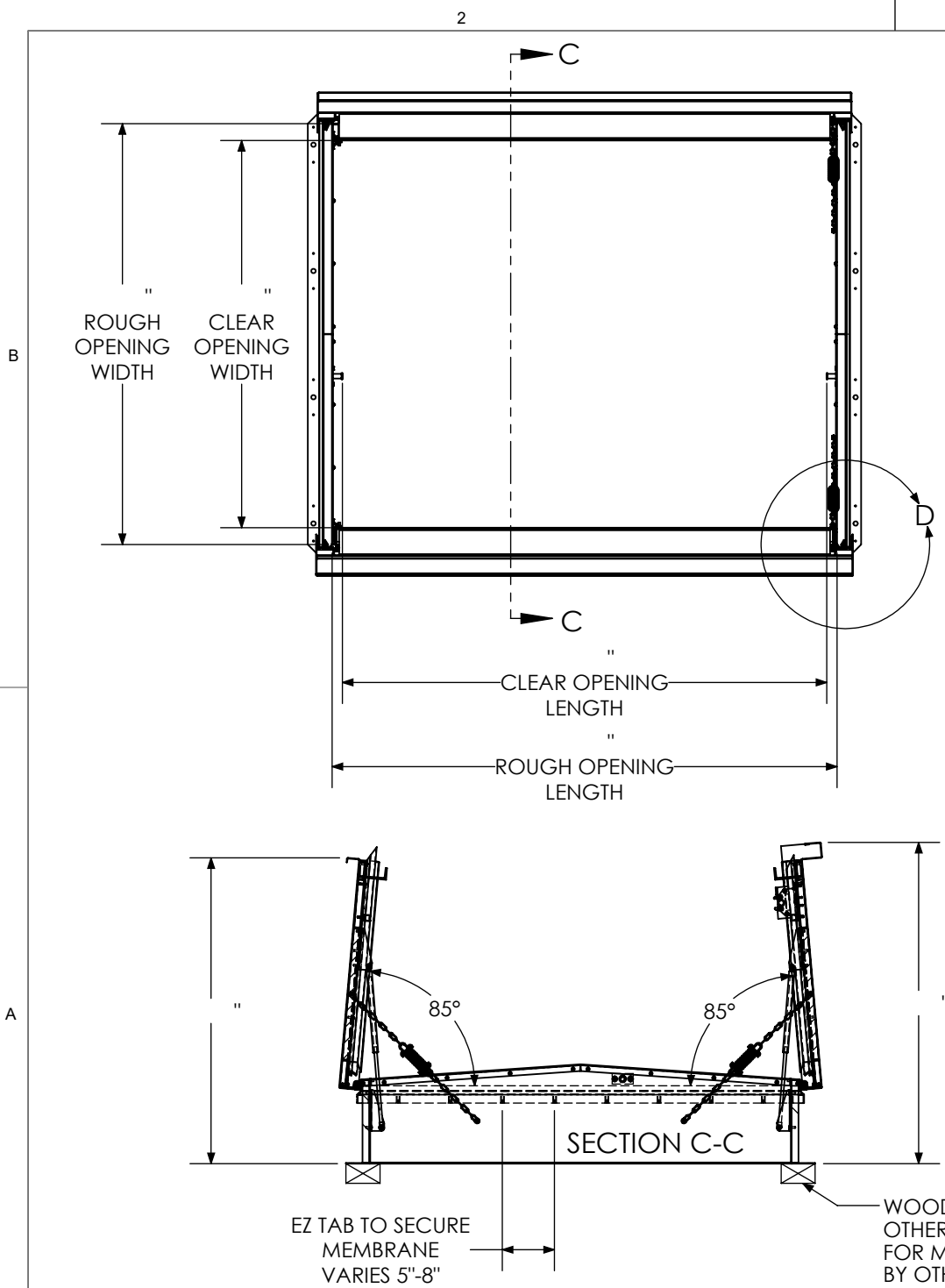
**ROOF HATCH SIZE:** " (WIDTH) x " (LENGTH)

**OPTIONS**

Stainless Steel Hardware

Double Wall Curb

PROJECT:			
ARCHITECT:			
CONTRACTOR:			
QTY:			
PART:			
		TITLE:	
		9300 73rd Avenue North Brooklyn Park, MN 55428	
NAME	DATE	SIZE	DWG. NO.
DRAWN		A	Generic Babcock RH BRHEG_X_D_T ShpDr
RELEASED		WEIGHT:	



<b>babcockdavis</b>			TITLE:		
9300 73rd Avenue North Brooklyn Park, MN 55428					
NAME	DATE	SIZE	DWG. NO.	REV	
DRAWN		A	Generic Babcock RH BRHEG_X_D_T ShpDr	A	
RELEASED			WEIGHT:	SHEET 2 OF 2	

PROPRIETARY AND CONFIDENTIAL: THE INFORMATION CONTAINED IN THIS DRAWING IS THE SOLE PROPERTY OF BABCOCK-DAVIS. ANY REPRODUCTION IN PART OR AS A WHOLE WITHOUT THE WRITTEN PERMISSION OF BABCOCK-DAVIS IS PROHIBITED. ©2020 BABCOCK-DAVIS