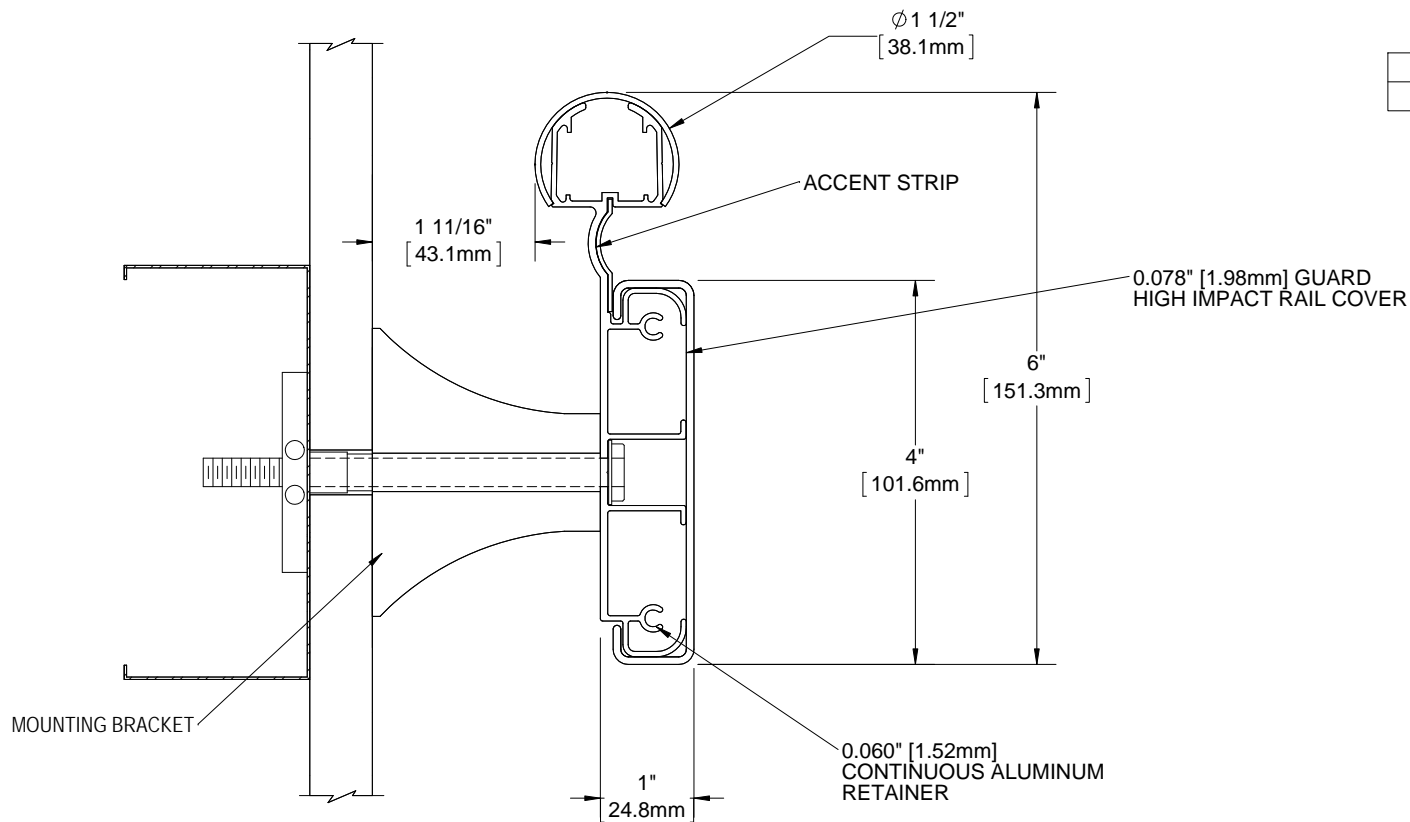



QUANTITY

COLOR



NOTES:

1. **PROFILE:** HIGH IMPACT VINYL ACRYLIC EXTRUSION LOCKED IN PLACE, NOMINAL 0.078" (1.98mm) THICK
2. CLASS A FIRE RATING, TESTED TO ASTM E84
3. **RETAINER:** CONTINUOUS 6063 T-5 ALUMINUM RETAINER, NOMINAL 0.060" (1.52mm) THICK
4. **EXTRUSION:** PEBBLE GRAIN FINISH WHICH CONTAINS EPA REGISTERED MICRO-CHEK ANTIMICROBIAL AGENT
5. **VINYL HANDRAIL LENGTH:** PROVIDED IN 20' CONTINUOUS SECTIONS
6. RIGHT RETURN: #BHRVE6C-AS-RR, LEFT RETURN: #BHRVE6C-AS-LR, OUTSIDE CORNER: #BHRVE6C-AS-OC, SPLICE KIT: #BHRVE6C-AS-SK
7. FASTENERS AND PARTITION COMPONENTS PROVIDED BY OTHERS.

PROJECT:											
ARCHITECT:											
CONTRACTOR:											
 9300 73rd Avenue North Brooklyn Park, MN 55428		TITLE: 6" VINYL HANDRAIL WITH ACCENT STRIP CONTINUOUS RETAINER									
		<table border="1"> <tr> <th>NAME</th> <th>DATE</th> <th>SIZE</th> <th>DWG. NO.</th> <th>REV</th> </tr> <tr> <td>MDS</td> <td>03MAY13</td> <td>A</td> <td>BHRVE6C-AS</td> <td>A</td> </tr> </table>	NAME	DATE	SIZE	DWG. NO.	REV	MDS	03MAY13	A	BHRVE6C-AS
NAME	DATE	SIZE	DWG. NO.	REV							
MDS	03MAY13	A	BHRVE6C-AS	A							
RELEASED	PGE	10MAY13	WEIGHT: 1.81 lbs/ft	SHEET 1 OF 1							