

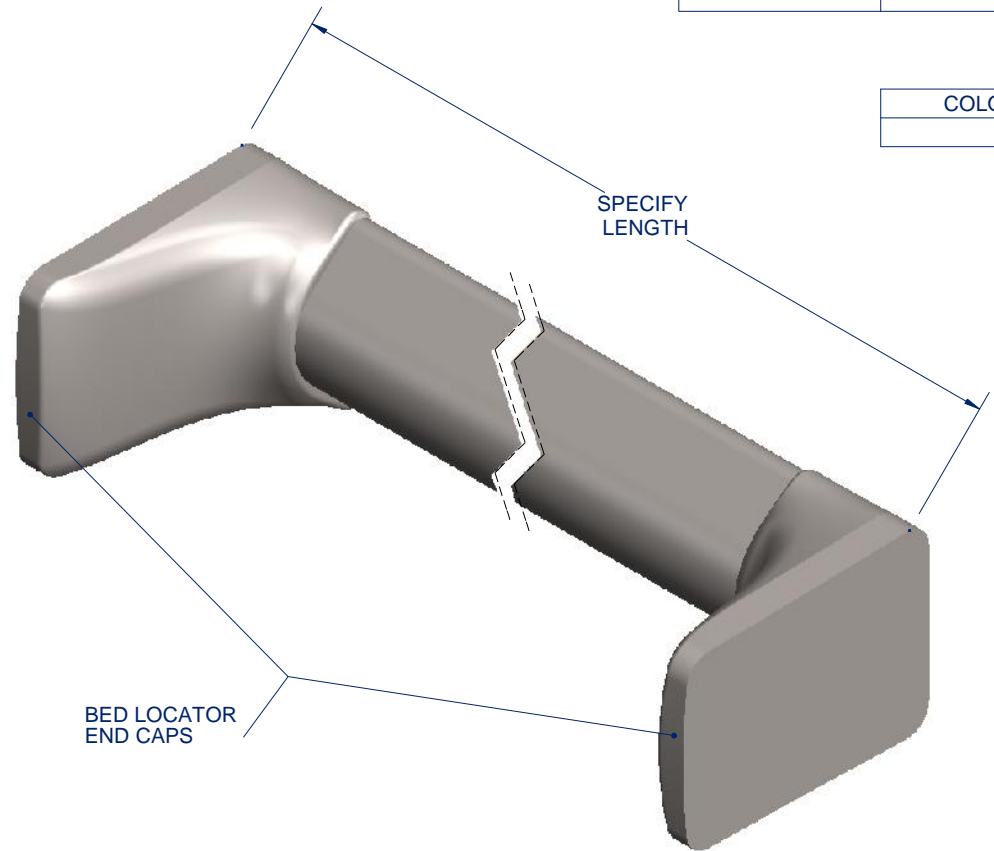
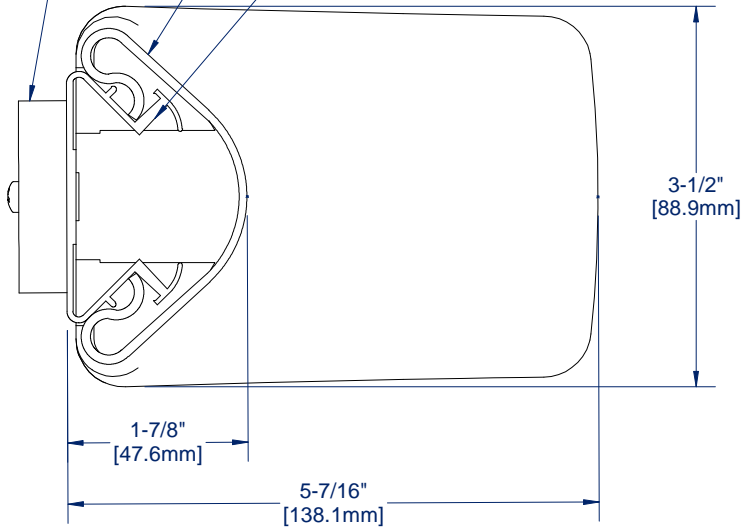
QUANTITY	LENGTH

COLOR

2" [50.8mm] X 1/2" [12.7mm]
MOUNTING CUSHION

BUMPER GUARD COVER
0.100" [2.54mm] THICK

ALUMINUM RETAINER
0.080" [2.03mm] THICK



NOTES:

- PROFILE:** HIGH IMPACT VINYL ACRYLIC EXTRUSION LOCKED IN PLACE, NOMINAL 0.100" (2.54mm) THICK
- CLASS A FIRE RATING, TESTED TO ASTM E84
- RETAINER:** CONTINUOUS 6063 T-5 ALUMINUM RETAINER, NOMINAL 0.080" (2.03mm) THICK,
- EXTRUSION:** PEBBLE GRAIN FINISH WHICH CONTAINS EPA REGISTERED MICRO-CHEK ANTIMICROBIAL AGENT
- ALL UNITS ARE PRECUT AND DRILLED WITH LOCATOR ENDS ATTACHED AT THE FACTORY (2x, BBGVE35C-ECBL, REQUIRED FOR COMPLETE ASSEMBLY)
- FASTENERS AND PARTITION COMPONENTS PROVIDED BY OTHERS.

PROPRIETARY AND CONFIDENTIAL: THE INFORMATION CONTAINED IN THIS DRAWING IS THE SOLE PROPERTY OF BABCOCK-DAVIS. ANY REPRODUCTION IN PART OR AS A WHOLE WITHOUT THE WRITTEN PERMISSION OF BABCOCK-DAVIS IS PROHIBITED.

PROJECT:			
ARCHITECT:			
CONTRACTOR:			
		TITLE: 3-1/2" VINYL BUMPER GUARD EXTENDED MOUNT, 1/2" CUSHION W/ BED LOCATOR END CAPS	
		9300 73rd Avenue North Brooklyn Park, MN 55428	
NAME	DATE	SIZE	DWG. NO.
MDS	05JUN13	A	BBGVE35C-BL-C05
RELEASED	PGE	05JUN13	WEIGHT: 1.15 lbs/ft + 0.76 lbs (2x END CAP)
			REV A
			SHEET 1 OF 1