

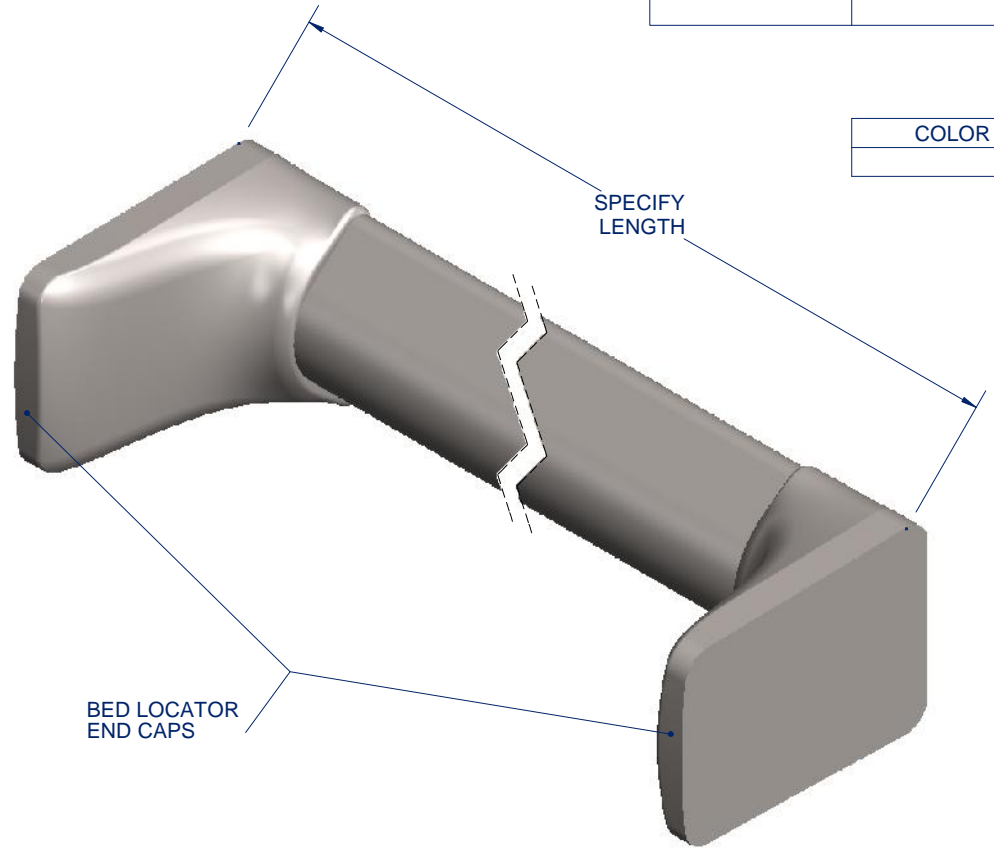
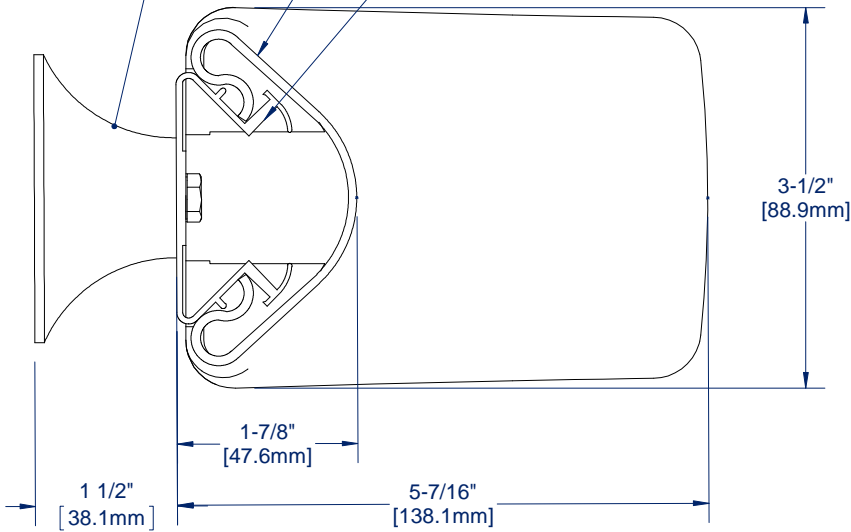
QUANTITY	LENGTH

COLOR

MOUNTING BRACKET

BUMPER GUARD COVER
0.100" [2.54mm] THICK

ALUMINUM RETAINER
0.080" [2.03mm] THICK



NOTES:

- PROFILE:** HIGH IMPACT VINYL ACRYLIC EXTRUSION LOCKED IN PLACE, NOMINAL 0.100" (2.54mm) THICK
- CLASS A FIRE RATING, TESTED TO ASTM E84
- RETAINER:** CONTINUOUS 6063 T-5 ALUMINUM RETAINER, NOMINAL 0.080" (2.03mm) THICK,
- EXTRUSION:** PEBBLE GRAIN FINISH WHICH CONTAINS EPA REGISTERED MICRO-CHEK ANTIMICROBIAL AGENT
- ALL UNITS ARE PRECUT AND DRILLED WITH LOCATOR ENDS ATTACHED AT THE FACTORY (2x, BBGVE35C-ECBL, REQUIRED FOR COMPLETE ASSEMBLY)
- FASTENERS AND PARTITION COMPONENTS PROVIDED BY OTHERS.

PROPRIETARY AND CONFIDENTIAL: THE INFORMATION CONTAINED IN THIS DRAWING IS THE SOLE PROPERTY OF BABCOCK-DAVIS. ANY REPRODUCTION IN PART OR AS A WHOLE WITHOUT THE WRITTEN PERMISSION OF BABCOCK-DAVIS IS PROHIBITED.

PROJECT:					
ARCHITECT:					
CONTRACTOR:					
 9300 73rd Avenue North Brooklyn Park, MN 55428	TITLE:	3-1/2" VINYL BUMPER GUARD EXTENDED MOUNT, 1-1/2" BRACKET W/ BED LOCATOR END CAPS			
	NAME	DATE	SIZE	DWG. NO.	REV
DRAWN	MDS	05JUN13	A	BBGVE35C-BL-B15	A
RELEASED	PGE	05JUN13	WEIGHT: 1.13 lbs/ft + 0.76 lbs (2x END CAP)	SHEET 1 OF 1	