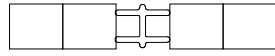
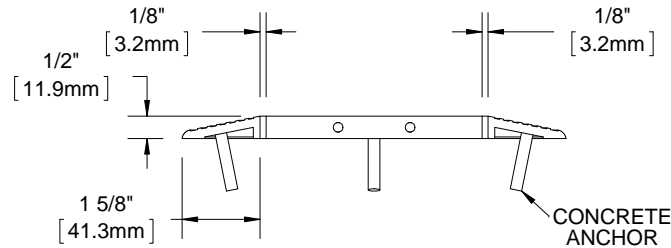
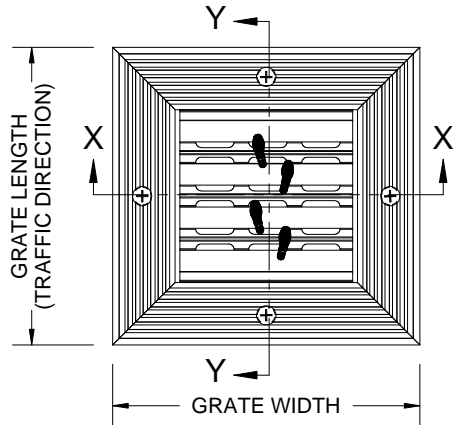


BGV120

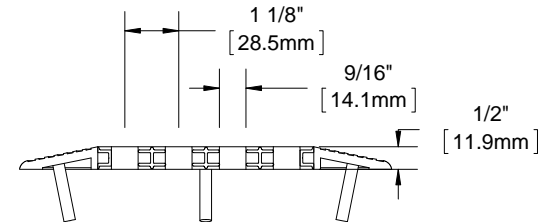


BGV120O

QTY	MODEL	WIDTH	LENGTH	FINISH	LOCATION

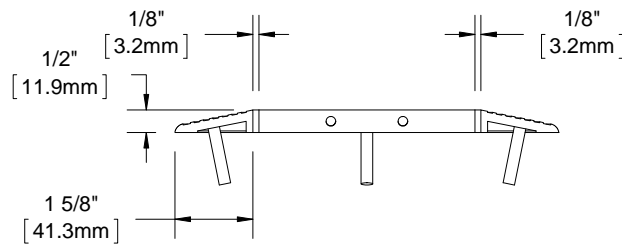
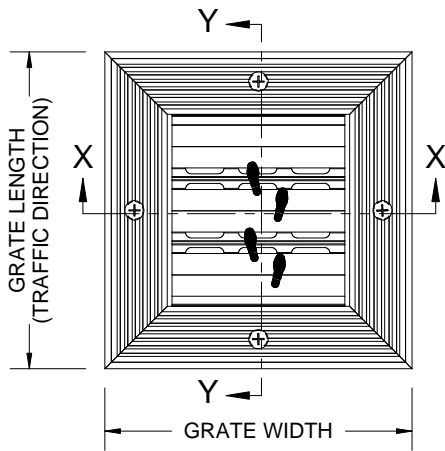


SECTION X-X

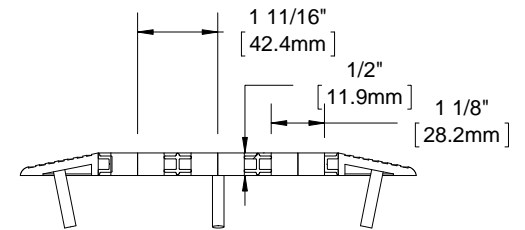


SECTION Y-Y

SINGLE TREAD



SECTION X-X



SECTION Y-Y

DOUBLE TREAD

NOTES:

- STANDARD MAXIMUM SECTION SIZE OF GRATE WIDTH NOT TO EXCEED 10'-0"
- FRAME ANCHOR SPACING: 6" FROM CORNERS, 24" MAX
- VERIFY TRAFFIC DIRECTION
- ALL RAIL COMPONENTS ARE MADE OF 6063-T6 ALUMINUM ALLOY, ALL FRAME COMPONENTS ARE MADE OF 6063-T5 ALUMINUM ALLOY
- TREAD RAILS MUST RUN PERPENDICULAR TO TRAFFIC DIRECTION
- GRATE DIMENSION ALLOWS FOR CLEARANCE BETWEEN GRATE SECTIONS AND FRAMES IN THE WIDTH DIMENSION
- ADDITIONAL INFORMATION CAN BE FOUND IN THE PRODUCT SPECIFICATION AND IS CONSIDERED PART OF THIS TRANSMITTAL.
- FRAME MODEL NUMBER: BFV12SAM

PROPRIETARY AND CONFIDENTIAL: THE INFORMATION CONTAINED IN THIS DRAWING IS THE SOLE PROPERTY OF BABCOCK-DAVIS. ANY REPRODUCTION IN PART OR AS A WHOLE WITHOUT THE WRITTEN PERMISSION OF BABCOCK-DAVIS IS PROHIBITED.

PROJECT:

ARCHITECT:

CONTRACTOR:



9300 73rd Avenue North
Brooklyn Park, MN 55428

DESCRIPTION:

envIRONtread II®, 15/32", Perforated Rail, Reversible Recycled Rubber Grate with Surface Mount Aluminum Frame

NAME	DATE	SIZE	DWG. NO.
DRAWN DKL	4/17/15	A	BGV120-FSAM
RELEASED PE	4/17/15	SCALE: NTS	SHEET 1 OF 1
			REV B